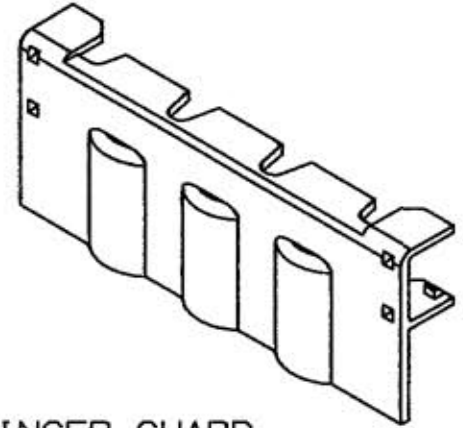
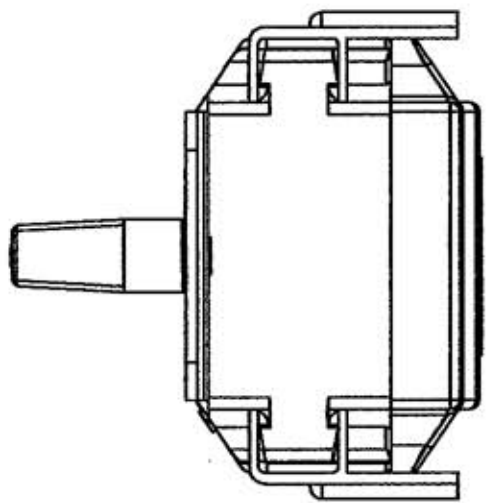
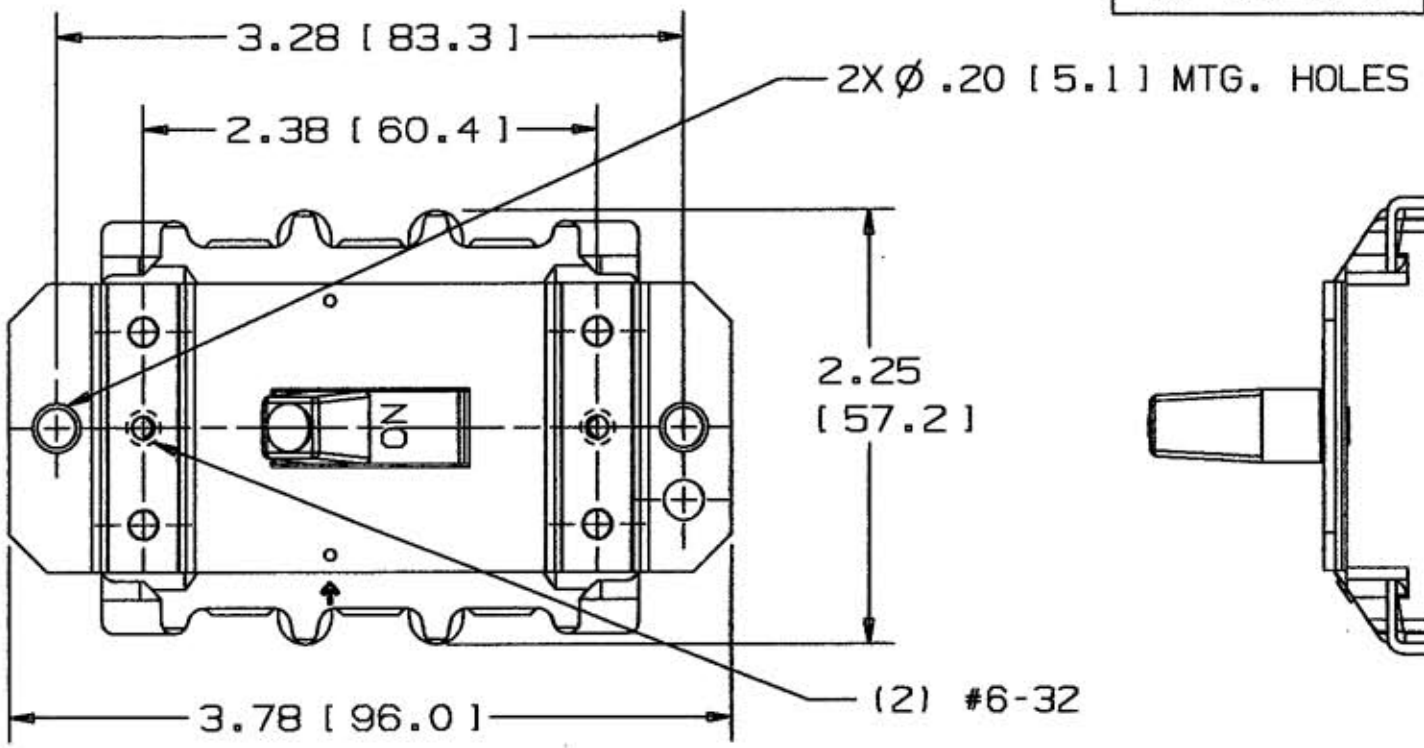
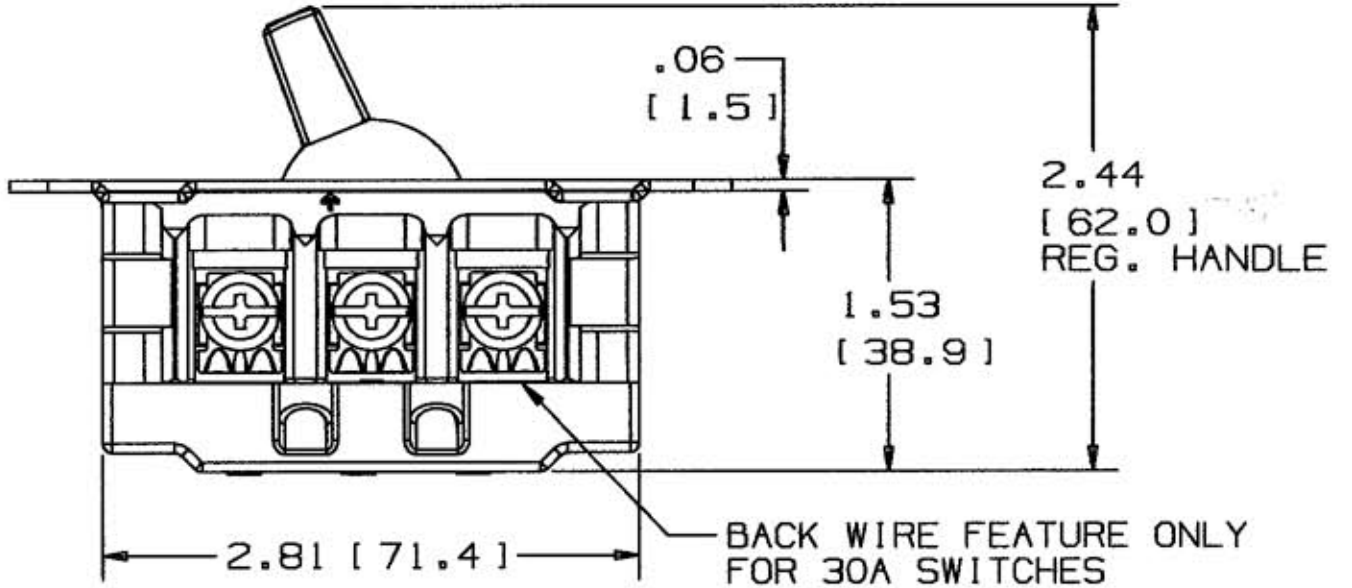


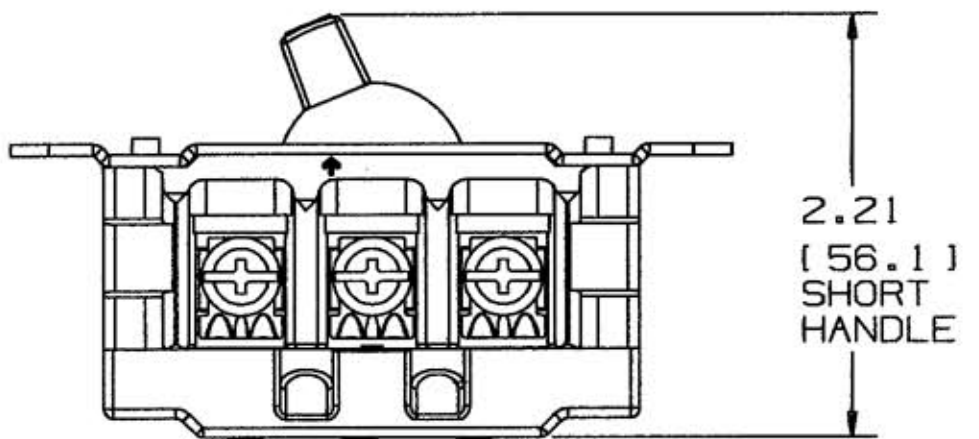
M-9284 1



FINGER GUARD
OPTIONAL KIT, CAT.#FGK30



NOTES: 1. DIMENSIONS IN IN. [MM].
2. 3 POLE SWITCH SHOWN.



LIST OF PARTS

DESCRIPTION	MATERIAL	FINISH
BASE & COVER	THERMOSET	BLACK
HANDLE	THERMOPLASTIC	BLACK
BRIDGE	PLATED STEEL	ZINC
TERMINAL	COPPER ALLOY	
BACK PLATE	COPPER ALLOY	
SCREWS	COPPER ALLOY	
RIVETS	STEEL	ZINC

DIMENSION SHEET FOR CAT. NO.

SEE TABLE

REPAIRABLE NON-REPAIRABLE

B

M-9284

1

1	DCN11626 INITIAL RELEASE	SM	4-14-04
SYM	REVISIONS	APP	DATE

THE DESIGN AND DIMENSIONS OF THE PRODUCT SHOWN ON THIS DRAWING ARE SUBJECT TO CHANGE WITHOUT NOTICE

TITLE CUSTOMER DRAWING
30,40,50A HUBBELL
MOTOR DISCONNECT TGL.SW.

TOLERANCES UNLESS OTHERWISE SPECIFIED FRACTIONS ±1/64 DECIMALS ±.005 ANGLES ±2°	WIRING DEVICE-KELLEMS HUBBELL INCORPORATED BRIDGEPORT, CT	
	DR. BY PAC	APP. BY
	TR. BY	SCALE 1-1
	CHK'D BY	DATE 2-3-04

MOTOR DISCONNECT RATINGS

CATALOG NO.	PHASE	GENERAL RATING	H.P. RATINGS				TERM. MAX. CAP. & WIRE INFO.	INSUL. STRIP IN. [MM]		TERMINAL TORQUE LB. IN. [Nm]
			120V AC	240V AC	480V AC	600V AC		SIDE WIRE	BACK WIRE	
HBL7832D	1Ø	30A 600VAC	2	5	10	15	#10 AWG CU ONLY	1-1/4 [32]	5/8 [16]	20 [2.4]
HBL7832DS	1Ø		2	5	10	15				
HBL7810D	3Ø		3	7.5	15	20				
HBL7810DS	3Ø		3	7.5	15	20				
HBL7842D	1Ø	40A 600VAC	2	5	10	15	#8 AWG 60° C MIN CU ONLY WITH LISTED RING TERMINALS	1/2 [12]		
HBL7843D	3Ø		3	7.5	15	20				
HBL7852D	1Ø	50A 600VAC	2	5	10	15	#8 AWG 75° C MIN CU ONLY WITH LISTED RING TERMINALS	1/2 [12]		
HBL7853D	3Ø		3	7.5	15	25				