

DIMENSION SHEET FOR CAT. NO. M-12137

SEE FIELD OF DRAWING

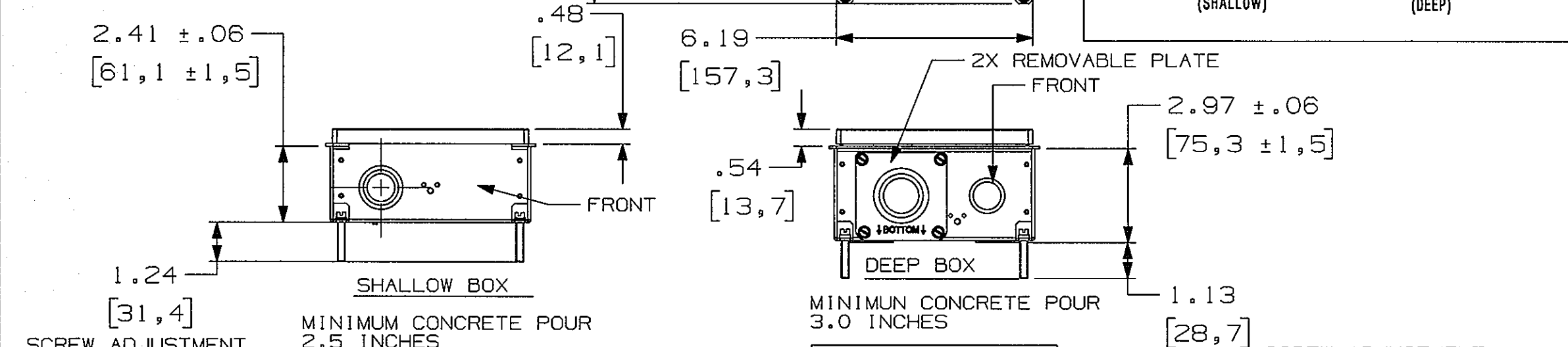
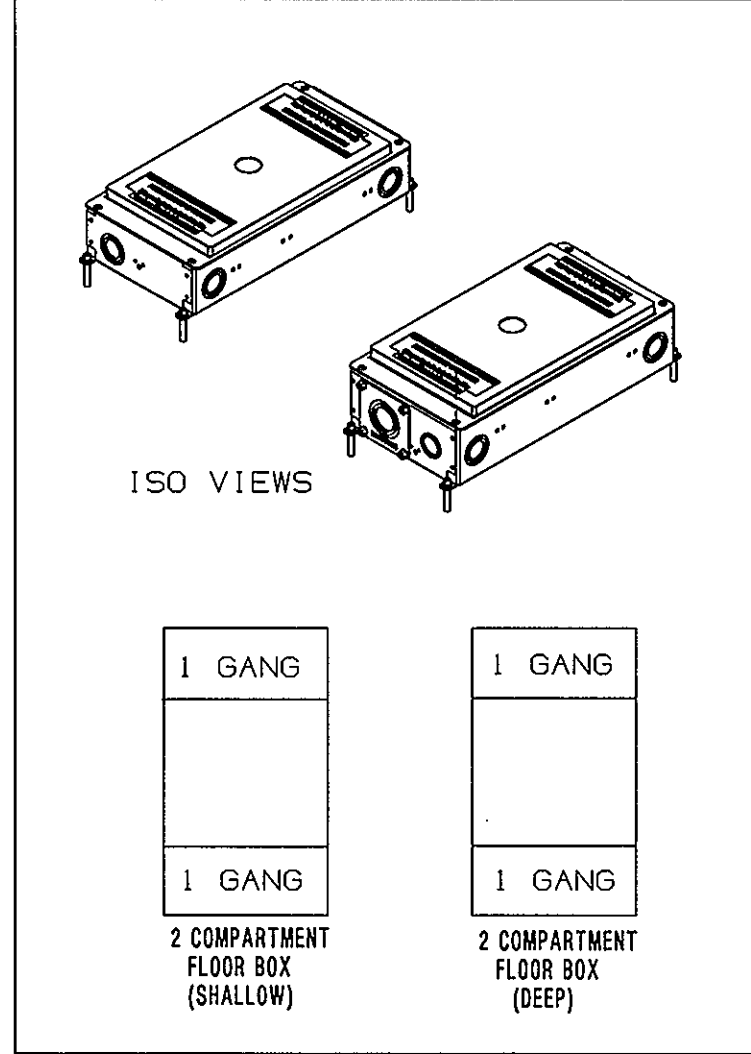
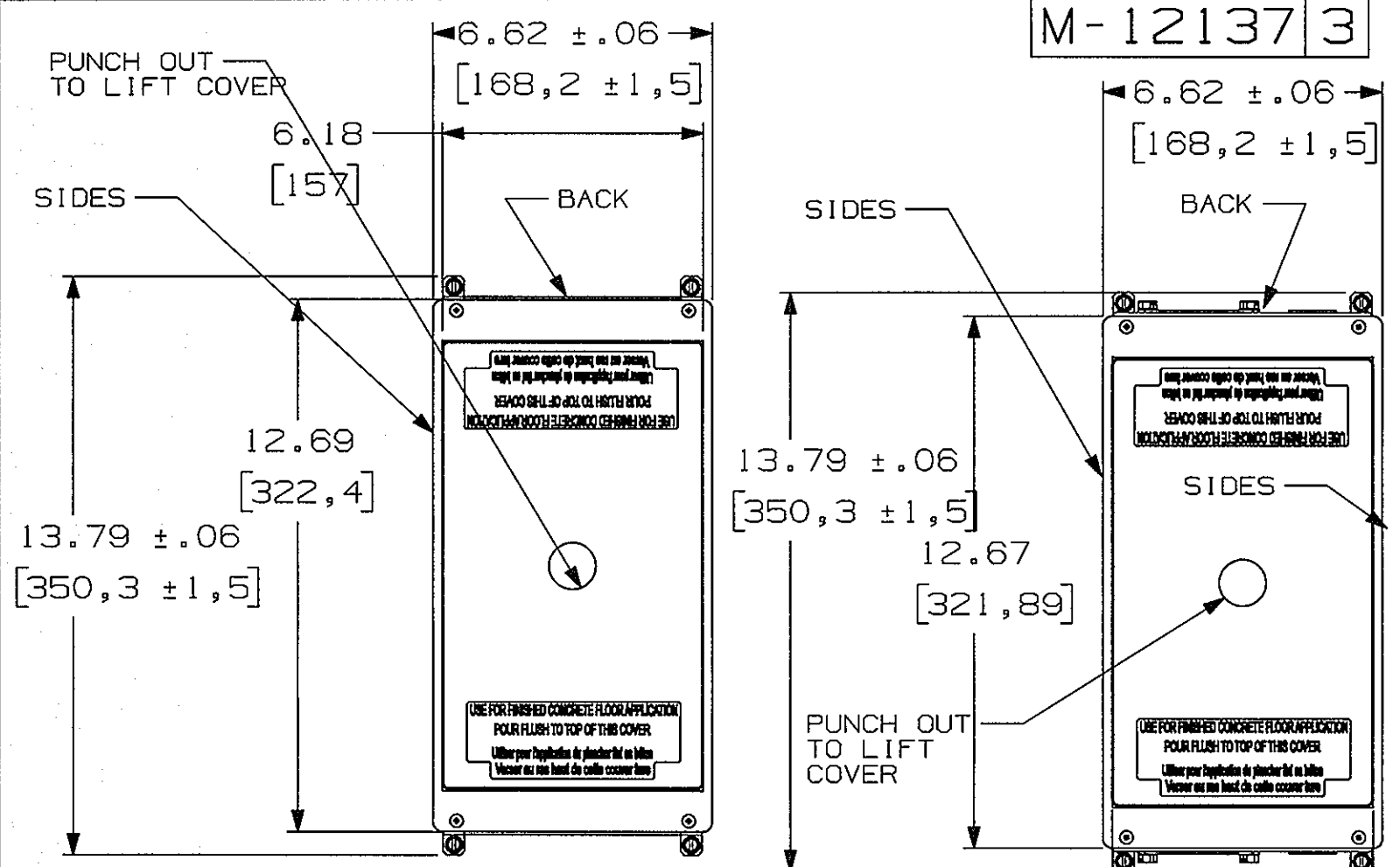
REPAIRABLE NON-REPAIRABLE

B

M-12137

3

M-12137 | 3



| CATALOG NO. |
|-------------|
| CFB2G25 |
| CFB2G25CR |

| CATALOG NO. |
|-------------|
| CFB2G30 |
| CFB2G30CR |

| K.O. | TRADE SIZE | LOCATION | QTY |
|------|-------------|----------|-----|
| | 1/2, 3/4, 1 | FRONT | 2 |
| | 1/2, 3/4, 1 | BACK | 2 |
| | 1/2, 3/4, 1 | BOTTOM | 8 |
| | 1/2, 3/4, 1 | SIDES | 8 |

NOTES: UNLESS OTHERWISE SPECIFIED:
 1. DIMENSIONS SHOWN ON THIS DRAWING ARE NOMINAL VALUES FOR GENERAL USE ONLY. ACTUAL PART TOLERANCES MUST BE OBTAINED FROM HUBBELL ENGINEERING.
 2. PRODUCT IS cULus LISTED.
 3. DIMENSIONS ARE IN INCHES [mm].

| K.O. | TRADE SIZE | LOCATION | QTY |
|------|--------------------|----------|-----|
| | 1, 1-1/4, 1-1/2, 2 | FRONT | 2 |
| | 1, 1-1/4, 1-1/2, 2 | BACK | 2 |
| | 1/2, 3/4 | BOTTOM | 2 |
| | 3/4, 1 | SIDES | 2 |

| LIST OF PARTS | | |
|--|---------------|--------------------------------|
| DESCRIPTION | MATERIAL | FINISH |
| FLOOR BOX | STEEL | PRE-GALVANIZED |
| WIRE BARRIER | STEEL | PRE-GALVANIZED |
| #6-32 BINDING SCREW | CRS | ZINC PLATED |
| TOP MOUNTING ASSY. | STEEL | ZINC PLATED |
| #8-32 FLAT HEAD SCREW | CRS | ZINC PLATED |
| #12 AWG GROUND WIRE & SCR ASSY | COPPER | |
| PRE-POUR LEVELING SCREW | STEEL WIRE | ZINC PLATED |
| METAL CONCRETE COVER | STEEL | PRE-GALVANIZED |
| PLASTIC CONCRETE COVER REMOVABLE COVER | POLYPROPYLENE | PRE-GALVANIZED OR GREEN FINISH |
| #10-32 HEX SCREW | STEEL | ZINC PLATED |

| SYM | REVISIONS | APP | DATE |
|-----|---|-----|----------|
| 3 | 06/07/14 UPDATE BOXES ADD 2D COMPARTMENT VIEW PER DCN 20574 CAC CAC | TLS | 06/08/14 |
| 2 | 10/07/13 UPDATE BOXES & CATALOG NO PER DCN 20073 CAC | TLS | 09/16/13 |
| 1 | 1/19/12 RELEASE FOR PRODUCTION PER DCN 18427 MJM TLS | TLS | 1/19/12 |

THE DESIGN AND DIMENSIONS OF THE PRODUCT SHOWN ON THIS DRAWING ARE SUBJECT TO CHANGE WITHOUT NOTICE

TITLE 2 GANG CONCRETE FLOOR BOX DEEP & SHALLOW

| | | |
|---------------------------------------|--|--------------|
| TOLERANCES UNLESS OTHERWISE SPECIFIED | WIRING DEVICE-KELLEMS HUBBELL INCORPORATED SHELTON, CT | |
| .XX = ± .01 | DR. BY MJM | APP. BY |
| .XXX = ± .005 | TR. BY | SCALE 1/4 |
| ANGLES = ± 2° | CHK. BY | DATE 1/11/12 |