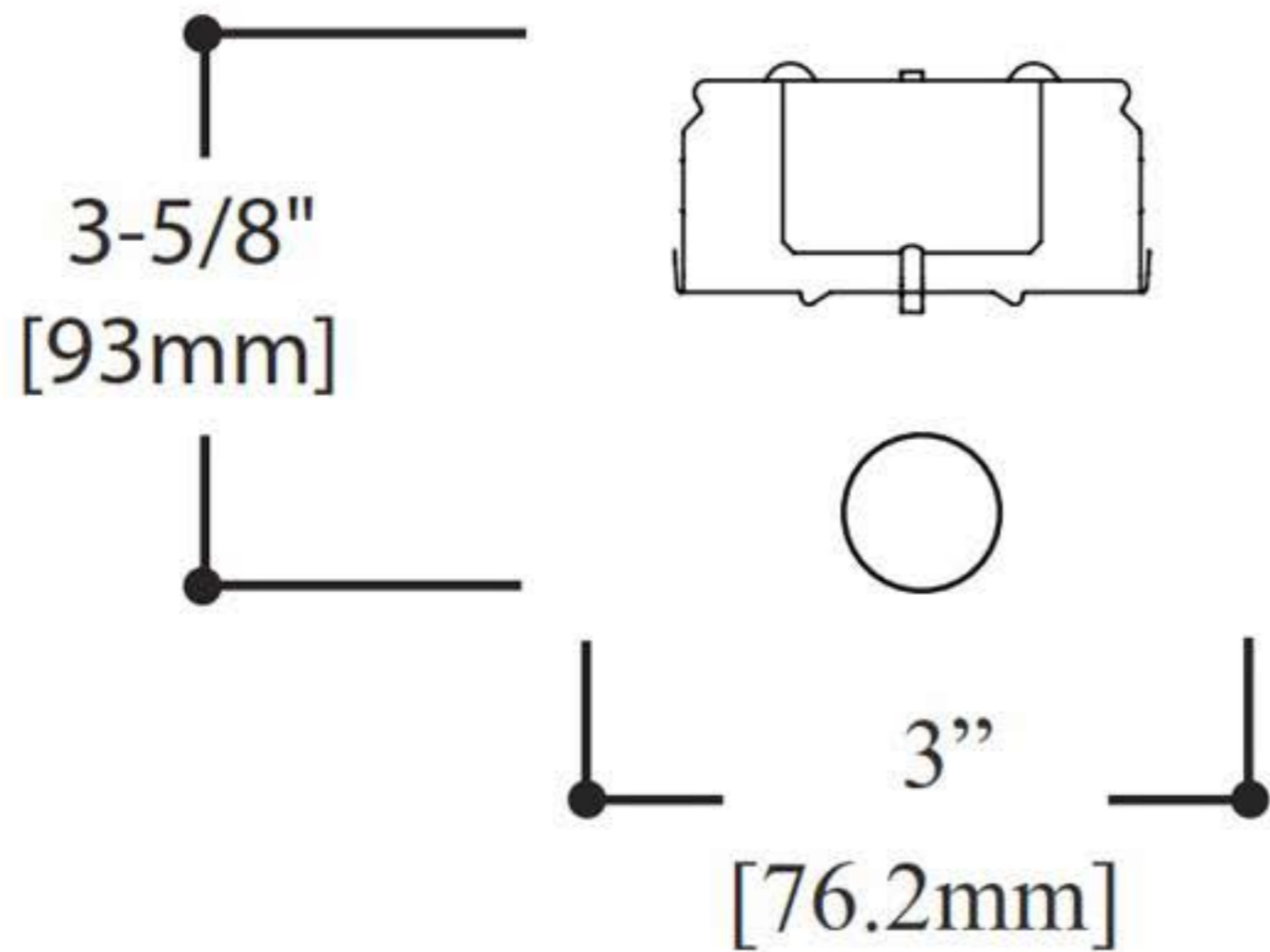


# 1 LAMP



# 2 LAMP

