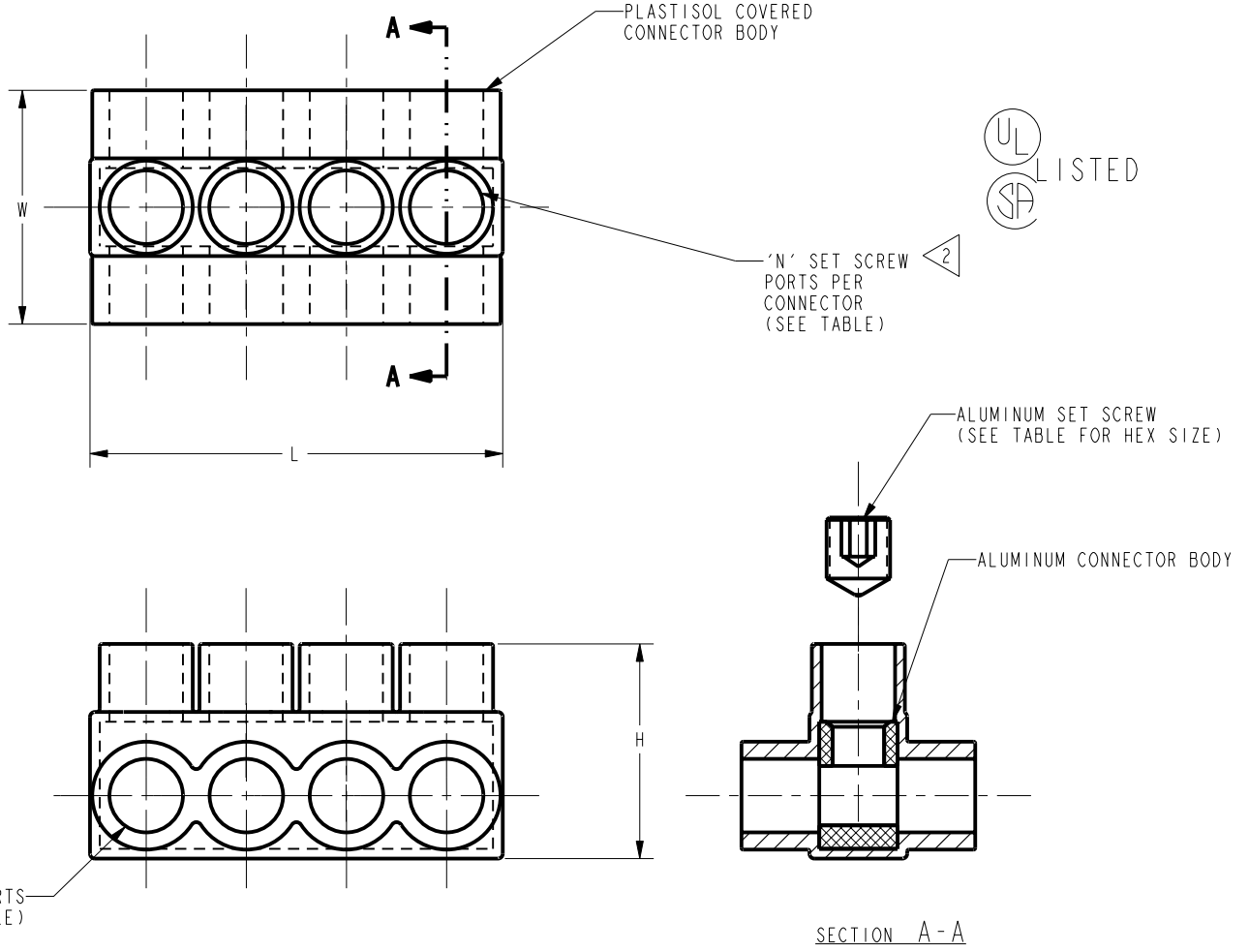


DRAWING NO.  
SC210991

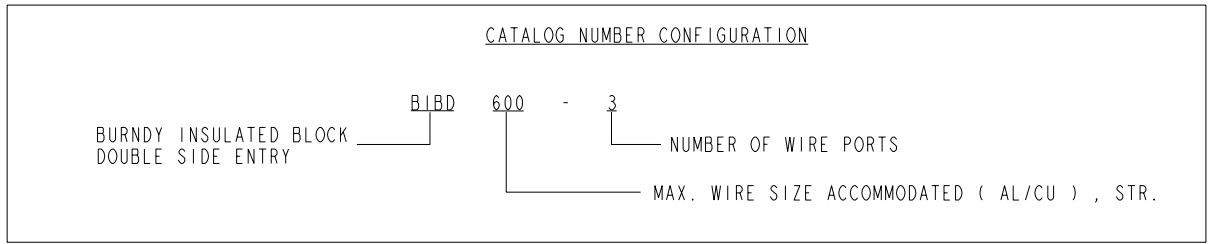
CATALOG NO.	WIRE RANGE (AWG/kcmil)	L	W	H	HEX KEY	N
BIBD600-2	#4-600	2.72 [69]	3.00 [76]	2.75 [70]	3/8	2
BIBD600-3	#4-600	4.00 [102]	3.00 [76]	2.75 [70]	3/8	3
BIBD600-4	#4-600	5.28 [134]	3.00 [76]	2.75 [70]	3/8	4
BIBD600-5	#4-600	6.56 [167]	3.00 [76]	2.75 [70]	3/8	5
BIBD600-6	#4-600	7.84 [199]	3.00 [76]	2.75 [70]	3/8	6
BIBD600-8	#4-600	10.40 [264]	3.00 [76]	2.75 [70]	3/8	8
BIBD600-10	#4-600	12.97 [329]	3.00 [76]	2.75 [70]	3/8	10
BIBD600-12	#4-600	15.53 [394]	3.00 [76]	2.75 [70]	3/8	12
BIBD600-14	#4-600	18.09 [459]	3.00 [76]	2.75 [70]	3/8	14
BIBD600-19	#4-600	24.25 [616]	3.00 [76]	2.75 [70]	3/8	19

REV	DATE	DESCRIPTION	ECO	BY	C'H'K.
C	09/02/2014 00:00:00 AM	CATALOG # BIBD600-19 ADDED	34823	BSB	AD



FEATURES	BENEFITS
PLASTISOL COVERED AL6061-T6 BODY	SAVES TIME, LOWERS INSTALLATION COSTS, ELIMINATES TAPING.
CLEAR PLASTISOL	ALLOWS VISUAL CONFIRMATION THAT CONDUCTOR IS PROPERLY INSERTED.
OXIDE-INHIBITOR IS PRE-INSTALLED	INHIBITS MOISTURE AND CONTAMINANTS FROM ENTERING THE CONTACT AREA
RANGE-TAKING	REDUCES THE NUMBER OF CONNECTORS CARRIED IN INVENTORY

2 'N' WIRE PORTS PER CONNECTOR (SEE TABLE)



- NOTES:
- CONNECTORS ARE SUPPLIED INDIVIDUALLY LABELED. LABEL INFORMATION INCLUDES CATALOG NUMBER, QUANTITY, AND BARCODE.
  - END CAPS INSTALLED ON WIRE PORTS AND SET SCREW PORTS.
  - ALL CONNECTORS UL LISTED, CSA CERTIFIED FOR AL9CU, 90°C APPLICATIONS.
  - DIMENSIONS IN BRACKETS [ ] ARE IN MILLIMETERS ROUNDED OFF TO THE NEAREST MILLIMETER, UNLESS OTHERWISE NOTED, AND ARE FOR REFERENCE ONLY.
  - TORQUE SET SCREWS TO 375 IN/LB

TO ORDER BURNDY® PRODUCTS CALL  
 UNITED STATES:  
 1-800-346-4175 (LONDONDERRY, NH)  
 CANADA:  
 1-800-361-6975 (QUEBEC)  
 1-800-387-6487 (ALL OTHER PROVINCES)  
 FOR PRODUCT INFO: <http://www.burndy.com>

UNITAP™- PLASTISOL COVERED WIRE CONNECTORS	
ITEM NO:	N/A
CAT. NO:	BIBD600-, SERIES
DRAWN BY:	J AYER 3/21/97
CHECKER:	C CHADBOURNE 7/21/97
DSN APPVL:	C CHADBOURNE 7/21/97
MFG APPVL:	--
QA APPVL:	J BRODEUR 7/28/97
MKT APPVL:	P WERTHMAN 7/24/97
PROD FAM:	--
PROJECT #:	--
DOCUMENT TYPE:	Sales
REL LEVEL:	Released
SCALE:	NTS
DRAWING NO:	SC210991
REV:	C
SHEET 8 OF 15	



REV: PE0200