

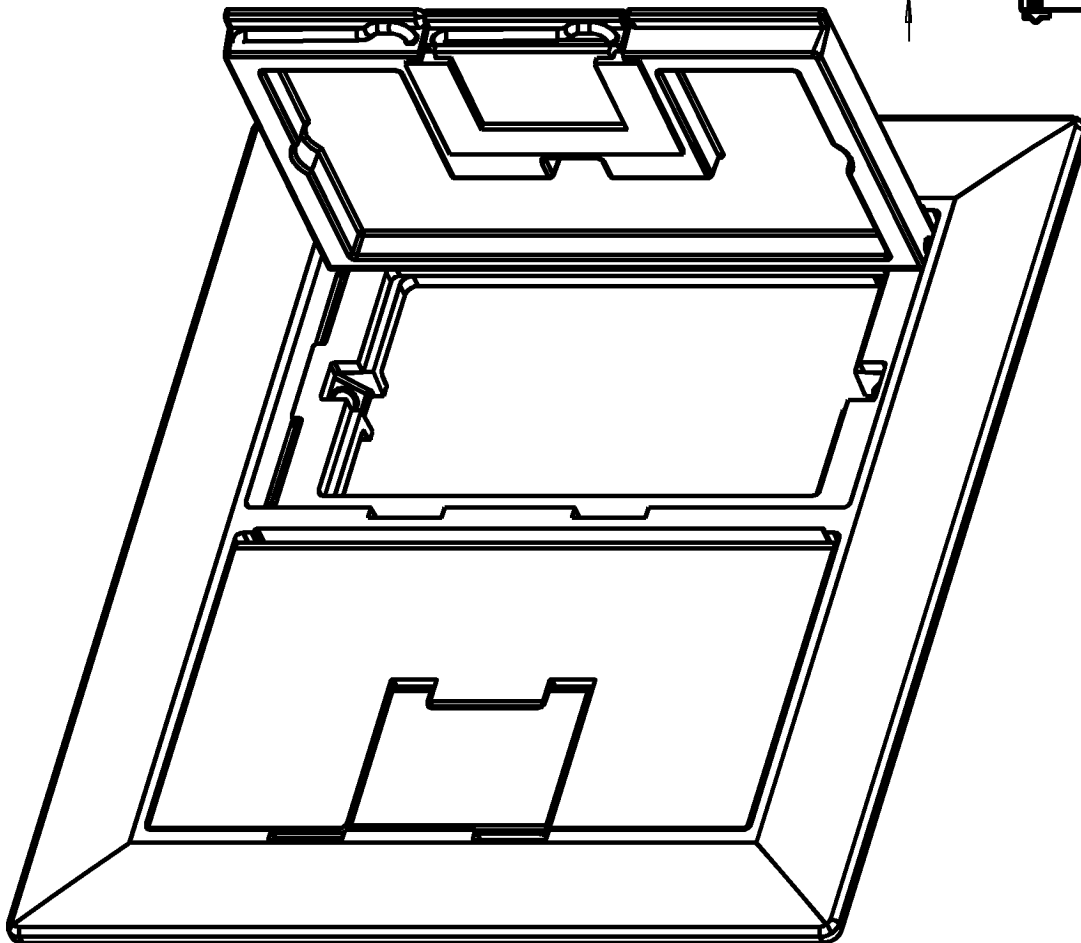
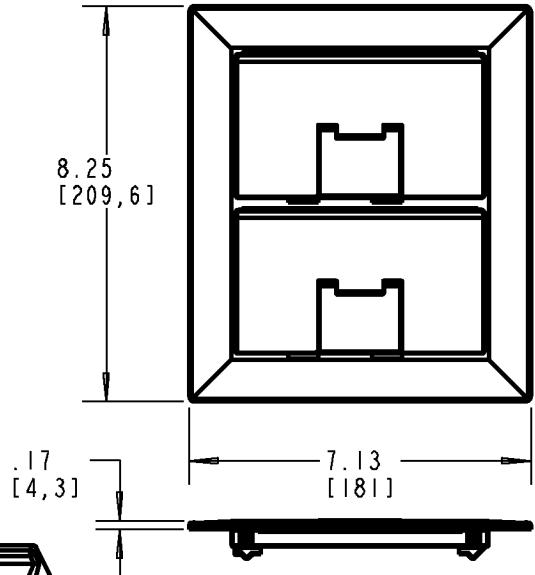
# Carlton®

FLOOR BOX COVER

PART NO.	DESCRIPTION
E9762BR	SOLID BRASS W/BRUSH FINISH
E9762SS	SOLID STAINLESS STEEL W/BRUSH FINISH

NOTES:

1. C-UL-US LISTED
2. SCREW PACK INCLUDED (NOT SHOWN).
3. U.S. PATENT 6,265,662
4. GROUND WIRE INCLUDED (NOT SHOWN).



GENERAL NOTES

1. ALL DIMENSIONS ARE FOR REFERENCE ONLY.
2. DIMENSIONS IN BRACKETS [ ] ARE IN METRIC UNITS.

REVISIONS

\*\*\* SEE ERN ( \*\*\*\* ) FOR APPROVAL SIGNATURES & RELEASE DATE.  
PROJECT NO: \*\*\*\*

**Thomas & Betts**  
www.tnb.com

DESCRIPTION: **BRASS RECTANGULAR FLOOR PLATE  
2 GANG**

ORIGINAL PROJECT NO / ( ERN NO )  
/ ( )

SHEET NO:  
1 OF 1

REV. NO:  
C

DRAWING NO:  
WSD-AC03612