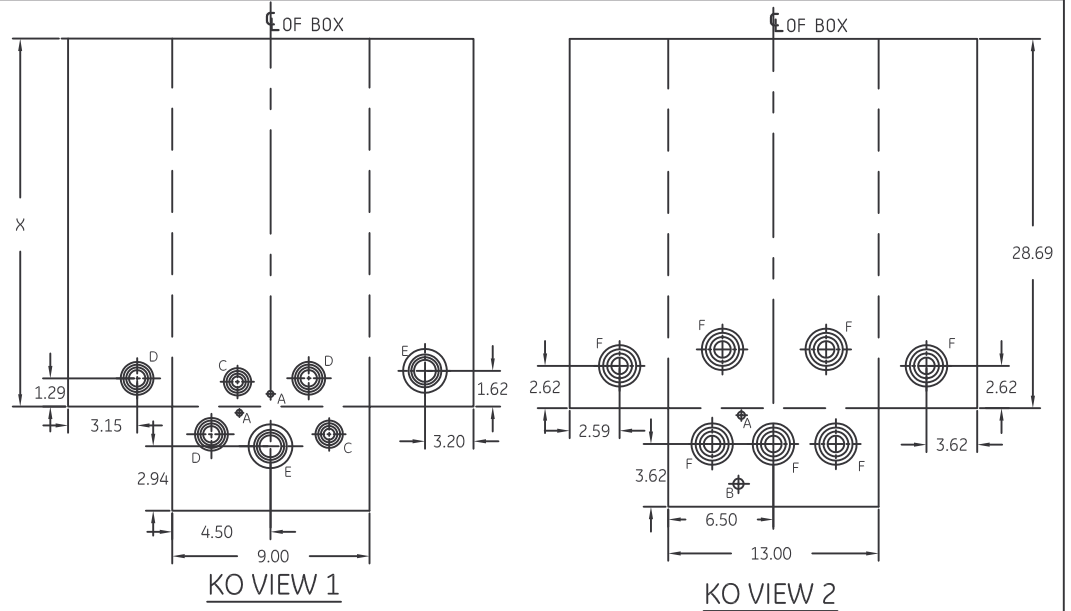


FIG. 1

(3) 0.33 MTG. HOLES



NOTE :
 1. ALL DIMENSIONS ARE IN INCHES.
 2. ALL DIMENSIONS HAVE ± 0.125 TOLERANCE.



KO VIEW 1

KO VIEW 2

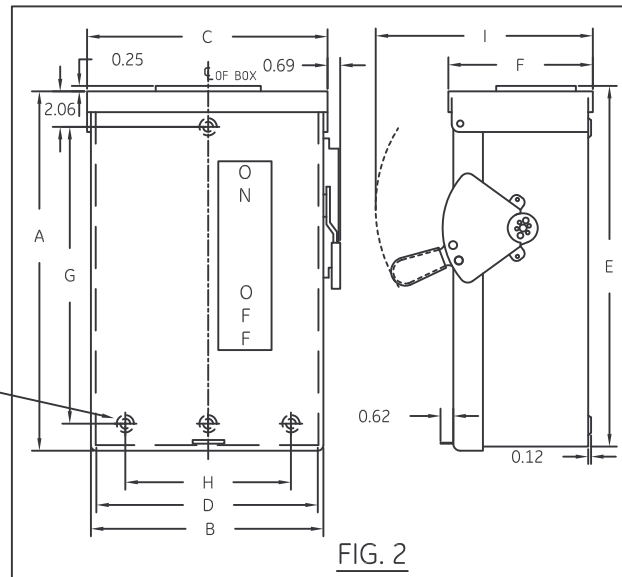


FIG. 2

DIMENSION TABLE

GCAT NO.	MOD.	FIG.	KO VIEW	A	B	C	D	E	F	G	H	I	X
TG4323R/ TG3223R	8	1	1	21.05	9.32	9.61	9.11	21.31	5.04	18.71	7.50	9.06	20.94
TGN3323R	8	1	1	15.55	9.32	9.61	9.11	15.81	5.04	13.21	7.50	9.06	15.44
TG4324R/ TG3224R/ TGN3324R	8	2	2	28.78	13.37	13.58	13.12	29.06	5.29	24.68	11.27	8.85	-

KNOCKOUT TABLE

SYM.	SIZE	QTY.	
		VIEW 1	VIEW 2
A	9/32 KO	2	1
B	1/2 KO	-	1
C	1/2 X 3/4 X 1 X 1 1/4 KO	2	-
D	3/4 X 1 X 1 1/4 X 1 1/2 KO	3	-
E	1 X 1 1/4 X 1 1/2 X 2 KO	2	-
F	1 X 1 1/2 X 2 X 2 1/2 KO	-	7

imagination at work

OUTLINE DRAWING-GENERAL DUTY SAFETY SWITCH, 100&200A, NEMA -TYPE 3R ENCLOSURE

DWG NO.	DATE	REV
10103091SH107	08/20/2009	01