

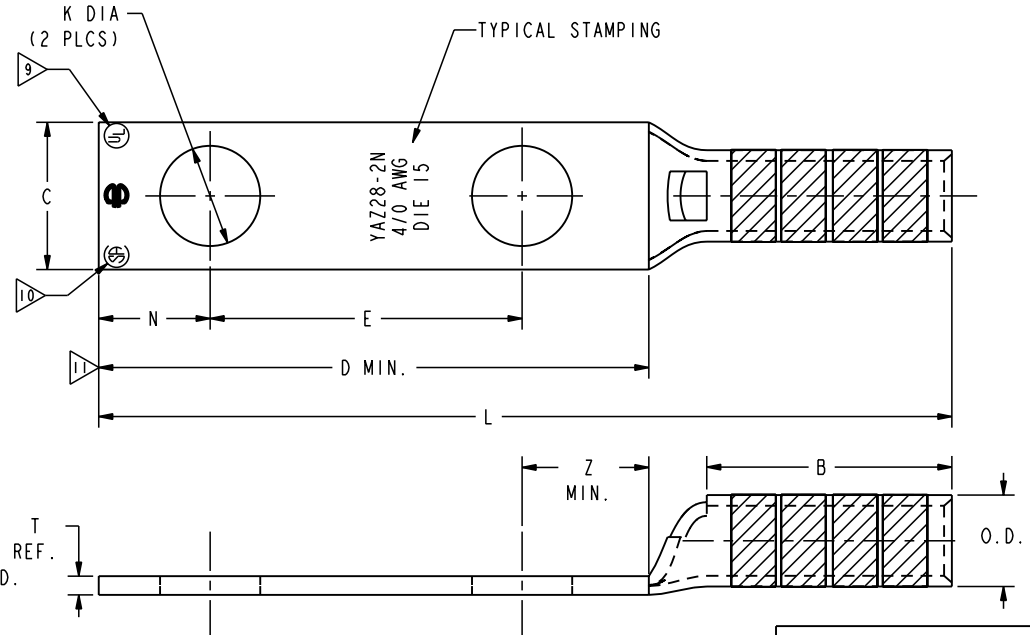
DRAWING NO. SE211937	7			6		5			4			3			2		1			
	CATALOG NUMBER	STRANDED COPPER CONDUCTOR ACCOMMODATED			BOLT SIZE	METRIC BOLT SIZE	DIMENSIONS							T REF.	Z MIN.	REV	DATE	DESCRIPTION	ECO	BY
CODE (AWG)		NAVY	METRIC SIZE (CLASS 2)	B			C	E	K DIA	L	N	O.D.								
YAZ28-2N	4/0 AWG	200	---	1/2	M12	1.62 [41]	1.02 [26]	1.75 [44]	.56 [14]	5.15 [131]	.62 [16]	.69 [18]	.14 [4]	.64 [16]	A	8/21/2008 12:00:00 AM	REDRAW IN PROG	16591	BT	BSK
YAZ29-2N	250 Kcmil	250	120mm ² STR [14.5]	1/2	M12	1.62 [41]	1.10 [28]	↑	↑	5.18 [132]	↑	.75 [19]	.16 [4]	↑						
YAZ30-2N	300 Kcmil	300	150mm ² STR [16.2]	1/2	M12	2.00 [51]	1.20 [30]	↓	↓	5.60 [142]	↓	.81 [21]	.16 [4]	↓						
YAZ31-2N	350 Kcmil	350	---	1/2	M12	2.00 [51]	1.29 [33]	1.75 [44]	.56 [14]	5.64 [143]	.62 [16]	.88 [22]	.18 [5]	.64 [16]						

CONNECTOR SIZE	TOLERANCES						
	B	C	E	K DIA	L	N	O.D.
-6C THRU -25	±.06	+ .04 - .02	±.02	±.02	±.09	±.03	±.01
-26 THRU -34	±.08	+ .04 - .06	±.02	±.02	±.12	±.03	±.01
-35 AND UP	±.09	±.06	±.02	±.02	±.15	±.06	±.01

CATALOG NO.	COLOR CODE	DIE INFORMATION		MECHANICAL RACHET				HYDRAULIC					DIELESS (# CRIMPS)	WIRE STRIP LENGTH		
		DIE INDEX	TYPE	Y2MR	OUR840	MD6 MD7	MD6--R2 BAT500	MD7-34R	Y34A Y34B Y34BH	Y35, Y39 Y750, BAT35 BAT750	Y46	Y45			Y48B	Y60BHU
YAZ28-2N	PURPLE	15	PURPLE DIE SET NEST INDENTOR	---	X28RT(6)	W28RT(4) W28VT(4)	W28RT(4) W28VT(4)	W28RT(4) W28VT(4)	---	U28RT(2)	U28RT(2)	U28RT(2)	C28R(2)	L28RT(1)	MECHANICAL: MY29-3(2) MY29-11(2)	1-11/16"
YAZ29-2N	YELLOW	16	YELLOW DIE SET NEST INDENTOR	---	X29RT(8)	W29VT(4)	W29RT(4) W29VT(4)	W29VT(4)	A29R(2)	U29RT(2)	U29RT(2)	U29RT(2)	C29R(2)	L29RT(1)	HYDRULIC: Y644M(1) BAT644M(1)	1-11/16"
YAZ30-2N	WHITE	17 298	WHITE DIE SET NEST INDENTOR	---	---	---	W30RT(4)	W30VT(4)	A28AR(2)	U30RT(4) U28ART(4)	U30RT(4) U28ART(4)	U30RT(4) U28ART(4)	C30R(1) C28AR(1)	L30RT(1)	HYDRAULIC: Y644M(1) BAT644M(1)	2-1/16"
YAZ31-2N	RED	18 324	RED DIE SET NEST INDENTOR	---	---	---	W31RT(4) W31VT(4)	W31VT(4)	---	U31RT(4) U29ART(4)	U31RT(4) U29ART(4)	U31RT(4) U29ART(4)	C31R(1) C29AR(1)	L31RT(1) L29ART(1)	HYDRAULIC: Y644M(1) BAT644M(1)	2-1/16"

TOLERANCE BLOCK

- NOTES:
- MATERIAL: COPPER TUBING.
 - FINISH: TIN PLATED.
 - CATALOG # PT6515 ADAPTOR IS REQUIRED TO USE "U" DIES IN Y45 SERIES TOOLS.
 - CATALOG # PUADP-1 ADAPTOR IS REQUIRED TO USE "U" DIES IN Y46 SERIES TOOLS.
 - Y35P3 INDENTOR ADAPTOR REQUIRED FOR Y34PR INDENTOR.
 - PERMANENT DIE IN TOOLING.
 - DIMENSIONS IN BRACKETS [] ARE IN MILLIMETERS ROUNDED OFF TO THE NEAREST MILLIMETER, UNLESS OTHERWISE NOTED, AND ARE FOR REFERENCE ONLY.
 - FOR USE BY CUSTOMERS THAT HAVE THIS HYPRESS™. NO NEW Y34A HYPRESS™ TOOLS ARE BEING PROCESSED. Y34A USES A--D TYPE NEST DIES.
 - CONNECTORS ARE UL LISTED; UNDRILLED VERSIONS ARE NOT UL LISTED.
 - CONNECTORS ARE CSA CERTIFIED; UNDRILLED VERSIONS ARE NOT CSA CERTIFIED.
 - FOR UNDRILLED VERSIONS ADD SUFFIX "-U" TO END OF CATALOG NUMBER. FOR UNDRILLED VERSIONS, USE D MIN. = N MAX. + E MAX. + Z MIN.
 - "X", "W-RT", "W-VT", "U", & "L" DIE SETS ARE COLOR CODED. "A", "B", AND "C" DIES ARE NOT COLOR CODED. NESTS AND INDENTOR TYPE ARE NOT COLOR CODED.



REFERENCE: SE211938

TO ORDER BURNDY® PRODUCTS CALL		HYLUG™	
UNITED STATES 1-800-346-4175 (LONDONDERRY, NH)		ITEM NO: N/A	CAT. NO: YAZ--2N(SEE TABLE)
CANADA: 1-800-361-6975 (QUEBEC) 1-800-387-6487 (ALL OTHER PROVINCES)		DRAWN BY: D BOISVERT 01/19/99	CHECKER: J MICHAUD 2/08/99
FOR PRODUCT INFO: http://www.burndy.com		DSN APPVL: B MACDONALD 2/08/99	MFG APPVL: N/A
		QA APPVL: S GRAY 2/09/99	MKT APPVL: K.WOO 2/08/99
		PROJ #:	SCALE: 1:1
		SIZE: D	DRAWING NO: SE211937
		DOCUMENT TYPE: Sales	REV: A
		REL LEVEL: Released	SHEET 3 OF 8

REV: PE0200