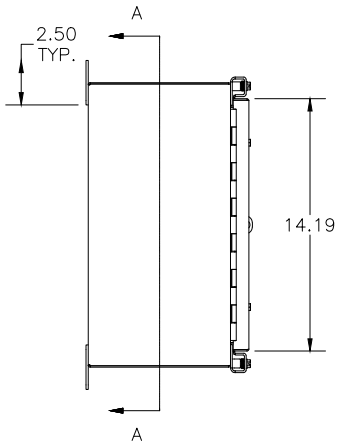
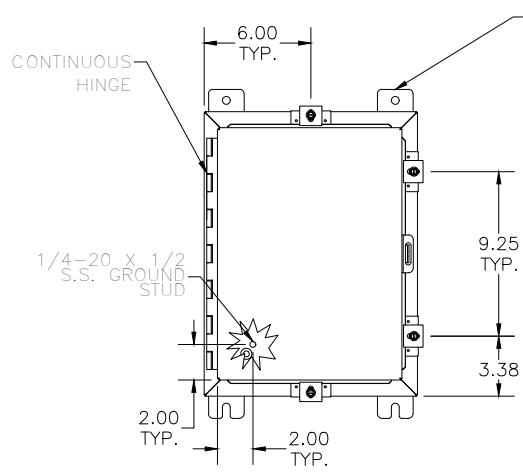


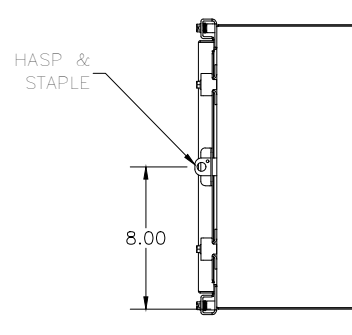
**TOP VIEW**



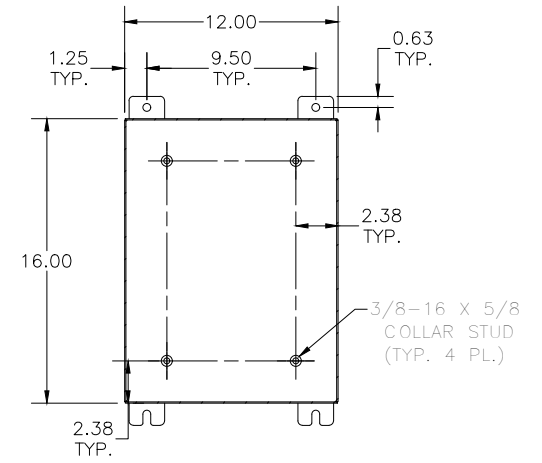
**LEFT SIDE**



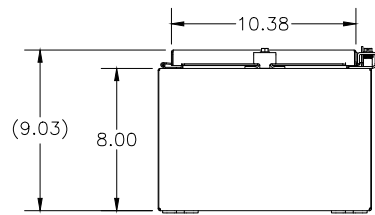
**FRONT VIEW**



**RIGHT VIEW**



**SECTION A-A**



**BOTTOM VIEW**

PART#: SSN4161208  
(DATA SUBJECT TO CHANGE WITHOUT NOTICE)

THIS DRAWING IS PROPERTY OF HUBBELL INC. WIEGMANN  
ALL INFORMATION IS PROPRIETARY AND NOT TO BE DUPLICATED