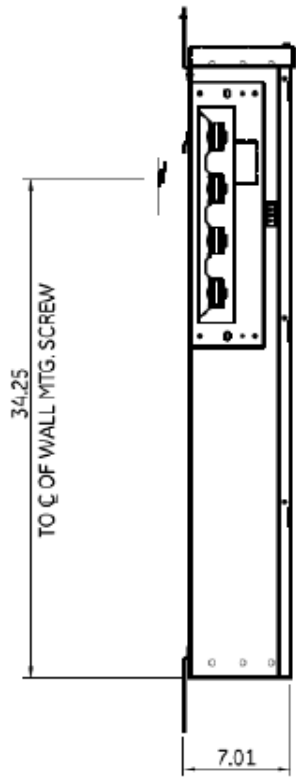
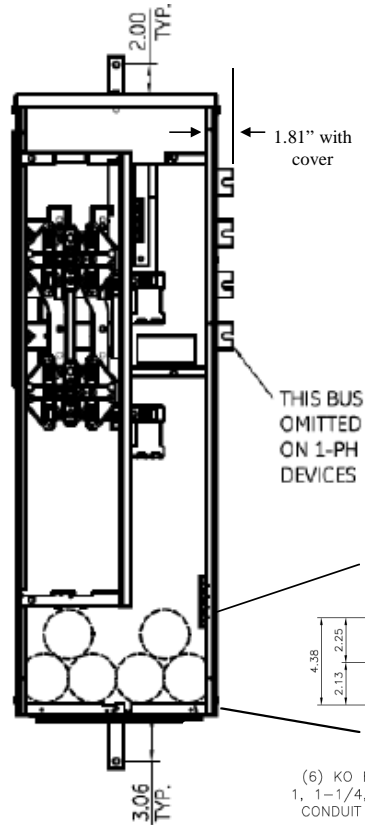


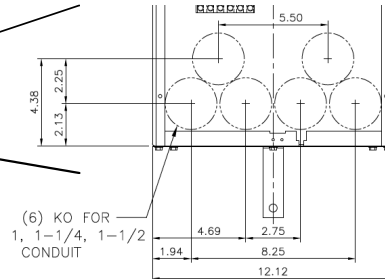
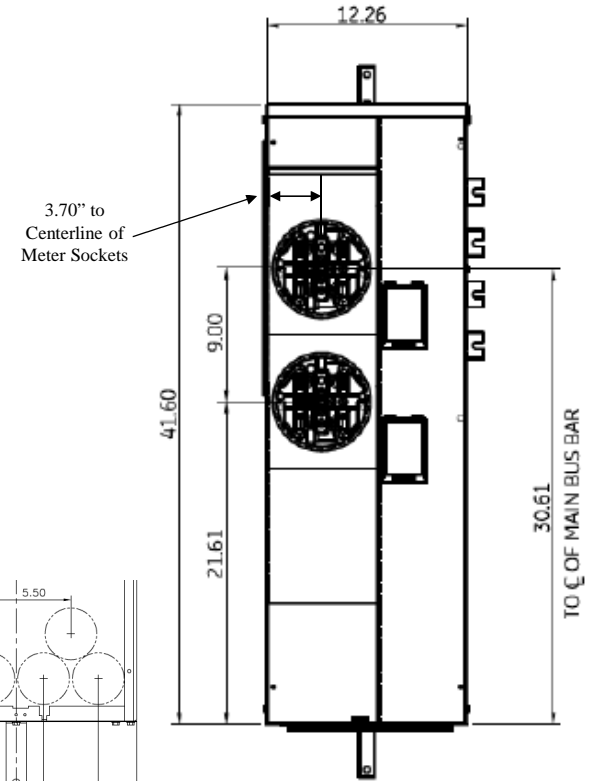
**Side View**



**Front View**



**Front Layout View**

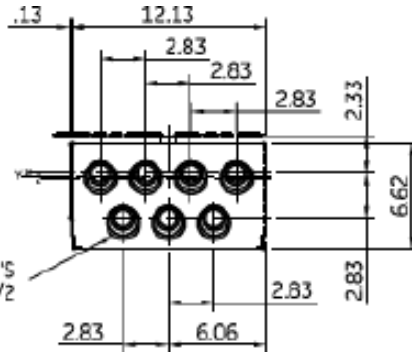


Top view has blank end walls (no knockouts)

**Bottom View**

Z=C OF 1-1/2" RING  
Y=C OF 1-1/4" RING  
X=C OF 3/4" & 1" RING

TANGENTIAL K.O.'S  
3/4, 1, 1-1/4, 1-1/2



imagination at work

METER MOD III – 1PH 800A HORIZONTAL BUSSING  
(2) 125A RINGLESS SOCKETS – N3R ENCLOSURE

REF NO	CAT NO	DWG DATE	REV #
96-4356	TMPR8212R	1/8/2015	01