

## CS315-2



Color:  Brown

UPC Code: 07847781560

Country Of Origin: United States

\* Eligible for ARRA funded projects

Made in USA



## CS315-2

### Brand Features

Leviton's Commercial Specification Grade switches are designed to offer outstanding reliability and top performance in commercial settings. Ideal applications include municipal facilities, government buildings, malls, department stores, hospital and health care facilities, office buildings, schools, colleges, universities, houses of worship and cultural institutions. Leviton offers a large selection of 15 and 20 Amp Commercial switches, available in a wide variety of colors, wiring options and other features.

### Item Description

15 Amp, 120/277 Volt, Toggle 3-Way AC Quiet Switch, Commercial Spec Grade, Grounding, Side Wired, - Brown

### Technical Information

#### AC Horsepower Ratings

**HP Rating:** 1/2HP-120V 2HP-240V-277V

#### Electrical Specifications

**Dielectric Voltage:** Withstands 1500V for 1 minute

**Temperature Rise:** Maximum 30 degrees C rise

**Voltage:** 120/277 Volt

**Max. Amperage:** 12 Amp

**Amperage:** 15 Amp

#### Environmental Specifications

**Operating Temperature:** -40°C to 65°C

**Flammability:** Rated V-2 per UL94

#### Material Specifications

**Strap Material:** Steel

**Body Material:** Thermoplastic

**Contacts:** Silver-Cadmium .031 Thick

**Terminal Screws:** Steel 8-32

**Toggle:** Polycarbonate

**Color:** Brown

**Cover Material:** Nylon

**Base Material:** PBT

**Actuator Material:** Thermoplastic

#### Mechanical Specifications

**Product ID:** Stamped on Strap

**Terminal ID:** Brass-Hot, Green-Ground, Silver-Neutral

**Termination:** Side

**Terminal Accom.:** 14-12 AWG

**Torque Range:** 12-14 inch pounds

#### Product Features

**Warranty:** 10-Year Limited

**Voltage:** 120/277 Volt

**Color:** Brown

**HP Rating:** 1/2HP-120V 2HP-240V-277V

**Actuator Material:** Thermoplastic

#### Standards and Certifications

**CSA C22.2 No. 111:** File #152105

**Warranty:** 10-Year Limited

**UL Standard:** UL 20

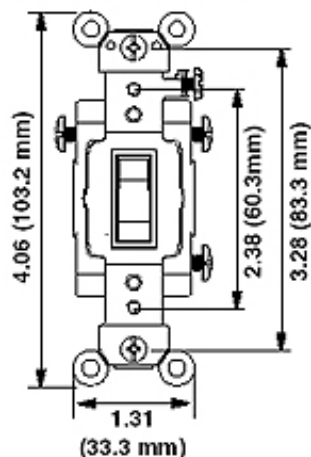
**UL Fed Spec WS896E:** File #E7458

**ANSI:** C-73

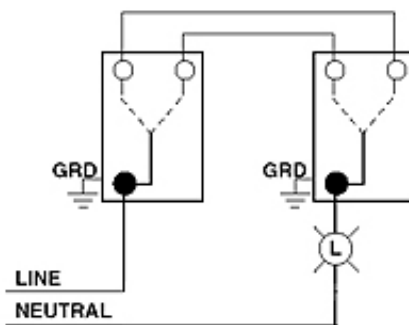
**NOM:** 057

**NEMA:** WD-1 & WD-6

### Dimensional Diagram



### Wiring Diagram 3-Way to 3-Way



### SPECIFICATION SUBMITTAL

JOB NAME: <input type="text"/>	CATALOG NUMBERS: <input type="text"/>
JOB NUMBER: <input type="text"/>	<input type="text"/>

#### Leviton Manufacturing Co., Inc.

201 North Service Road, Melville, NY 11747

Teléfono: +1-800-323-8920 · FAX: +1-800-832-9538 · Tech Line (8:30AM-7:30PM E.S.T. Monday-Friday): +1-800-824-3005

#### Leviton Manufacturing of Canada, Ltd.

165 Hymus Boulevard, Pointe Claire, Quebec H9R 1E9 · Telephone: +1-800-469-7890 ·

FAX: +1-800-824-3005 · [www.leviton.com/canada](http://www.leviton.com/canada)

#### Leviton S. de R.L. de C.V.

Lago Tana 43, Mexico DF, Mexico CP 11290 · Tel.: (+52)55-5082-1040 · FAX: (+52)5386-1797 · [www.leviton.com.mx](http://www.leviton.com.mx)

Visit our Website at: [www.leviton.com](http://www.leviton.com)

© 2012 Leviton Manufacturing Co., Inc. Todos los derechos reservados. Subject to change without notice.

#### Leviton has a global presence.

If you would like to know where your local Leviton office is located please go to:

[www.leviton.com/international/contacts/](http://www.leviton.com/international/contacts/)



*\*Leviton is the smart choice, providing the most comprehensive range of solutions to meet the needs of today's residential, commercial and industrial buildings. Leveraging more than a century of experience, Leviton helps customers create sustainable, intelligent environments through its electrical wiring devices, network and data center connectivity solutions, and lighting energy management systems. From switches and receptacles, to daylight harvesting controls, networking systems, and equipment for charging electric vehicles, Leviton solutions help customers achieve savings in energy, time and cost, all while enhancing safety.*