



KT-LEDXXA21-0-E26-8XX

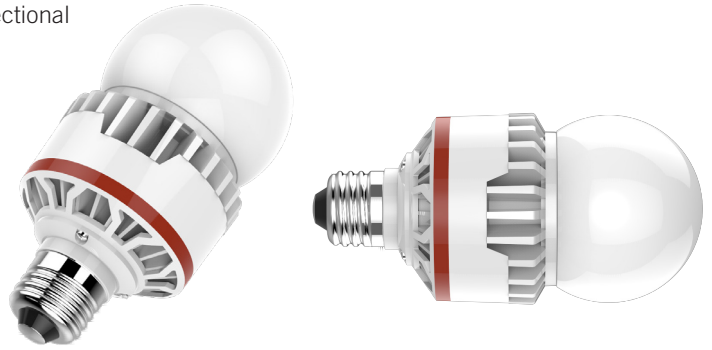
REPLACEMENT LAMP

DESCRIPTION

14–20W Commercial A21 Lamp | 2700–5000K | >80 CRI | Omni-Directional



| |
|------------------------------------------|
| LAMP TYPE: Commercial A21 |
| BASE TYPE: E26 (Medium) |
| WATTAGE: 14–20W |
| COLOR TEMPERATURE: 2700–5000K |
| COLOR RENDERING INDEX (CRI): > 80 |
| WARRANTY: 5 Years |



PRODUCT FEATURES

- Up to 75% energy saving compared to legacy equivalent lamps
- Can be used in base-up or base-down position
- Rated for open and enclosed fixtures
- Large metal heatsink for optimal heat dissipation
- THD <20%
- PF >0.90
- Operating temperature range: –22°F/–30°C to 113°F/45°C; 95°F/35°C max for fully enclosed fixture
- Ideal for post top, bollards, and outdoor corridor lighting
- Suitable for damp locations
- Meets Energy Star requirements
- UL 1993 and 1598C Rated

ELECTRICAL AND PERFORMANCE SPECIFICATIONS

| Keystone Catalog Number | Description | Color Temp | Input Voltage | Rated Lamp Wattage | Legacy Equivalent Wattage | Base Type | Lumens | CRI | Light Distribution | Dimmable | Efficacy |
|---------------------------|------------------------------------------------------------------------------|------------|---------------|--------------------|---------------------------|-----------|--------|-----|--------------------|----------|----------|
| KT-LED14A21-0-E26-827 | Commercial A21 bulb. Universal input voltage, Omni-directional, Non-dimmable | 2700K | 120–277V | 14W | 100W incand. | E26 | 1760 L | >80 | 340 | No | 126 lm/W |
| KT-LED14A21-0-E26-830 | Commercial A21 bulb. Universal input voltage, Omni-directional, Non-dimmable | 3000K | 120–277V | 14W | 100W incand. | E26 | 1790 L | >80 | 340 | No | 128 lm/W |
| KT-LED14A21-0-E26-840 | Commercial A21 bulb. Universal input voltage, Omni-directional, Non-dimmable | 4000K | 120–277V | 14W | 100W incand. | E26 | 1900 L | >80 | 340 | No | 136 lm/W |
| KT-LED14A21-0-E26-850 | Commercial A21 bulb. Universal input voltage, Omni-directional, Non-dimmable | 5000K | 120–277V | 14W | 100W incand. | E26 | 1960 L | >80 | 340 | No | 140 lm/W |
| KT-LED20A21-0-E26-827 | Commercial A21 bulb. Universal input voltage, Omni-directional, Non-dimmable | 2700K | 120–277V | 20W | 150W incand. | E26 | 2500 L | >80 | 340 | No | 125 lm/W |
| KT-LED20A21-0-E26-830 | Commercial A21 bulb. Universal input voltage, Omni-directional, Non-dimmable | 3000K | 120–277V | 20W | 150W incand. | E26 | 2540 L | >80 | 340 | No | 127 lm/W |
| KT-LED20A21-0-E26-840 | Commercial A21 bulb. Universal input voltage, Omni-directional, Non-dimmable | 4000K | 120–277V | 20W | 150W incand. | E26 | 2720 L | >80 | 340 | No | 136 lm/W |
| KT-LED20A21-0-E26-850 | Commercial A21 bulb. Universal input voltage, Omni-directional, Non-dimmable | 5000K | 120–277V | 20W | 150W incand. | E26 | 2760 L | >80 | 340 | No | 138 lm/W |
| KT-LED20A21-0-E26-827-DIM | Commercial A21 Bulb. Omni-directional, TRIAC dimmable | 2700K | 120V | 20W | 150W incand. | E26 | 2460 L | >80 | 340 | Yes | 123 lm/W |
| KT-LED20A21-0-E26-830-DIM | Commercial A21 Bulb. Omni-directional, TRIAC dimmable | 3000K | 120V | 20W | 150W incand. | E26 | 2500 L | >80 | 340 | Yes | 125 lm/W |
| KT-LED20A21-0-E26-840-DIM | Commercial A21 Bulb. Omni-directional, TRIAC dimmable | 4000K | 120V | 20W | 150W incand. | E26 | 2680 L | >80 | 340 | Yes | 125 lm/W |
| KT-LED20A21-0-E26-850-DIM | Commercial A21 Bulb. Omni-directional, TRIAC dimmable | 5000K | 120V | 20W | 150W incand. | E26 | 2710 L | >80 | 340 | Yes | 125 lm/W |

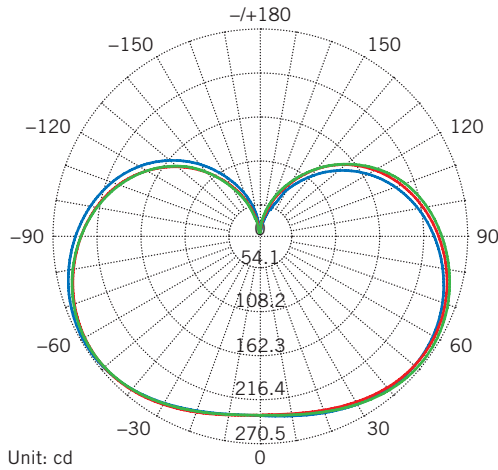


KT-LEDXXA21-0-E26-8XX

REPLACEMENT LAMP

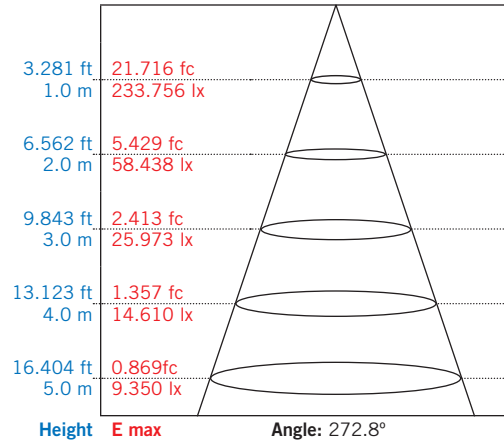
OPERATING SPECIFICATIONS

POLAR CANDELA DISTRIBUTION



| C Plane | 50% MaxAng. | 10% MaxAng. |
|--------------------------------------------------|-------------|-------------|
| ■ C240.0_60.0 | 272.8 | 343.2 |
| ■ C0.0_180.0 | 272.5 | 342.3 |
| ■ C90.0_270.0 | 273.0 | 342.8 |

LUX DISTANCE CURVE

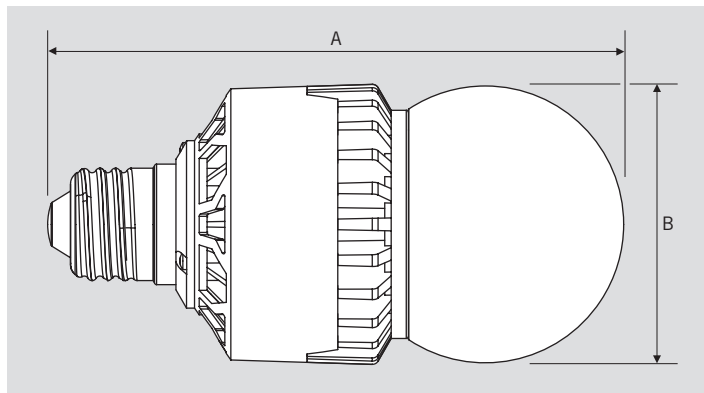


Note: The curves indicate the illuminated area and the average illumination when the luminaire is at a different distance.

RATED LIFE

| | |
|-------------|--------|
| L70 (Hours) | 25,000 |
|-------------|--------|

PHYSICAL CHARACTERISTICS



LAMP DIMENSIONS

| | |
|--------------|-------|
| A (Length) | 5.26" |
| B (Diameter) | 2.56" |

BASE TYPE: E26 (Medium)

PACKAGING

| | |
|-------------------|----------------------|
| Carton Quantity | 24 pcs (14W/20W) |
| Carton Dimensions | 11.6" x 13.38" x 15" |
| Carton Weight | 19.1 lbs |



KT-LEDXXA21-0-E26-8XX

REPLACEMENT LAMP

ORDERING INFORMATION

| ORDER CODE | DESCRIPTION | PACK QUANTITY | ITEM STATUS |
|--------------------------|------------------|------------------|-------------|
| KT-LEDXXA21-0-E26-8XX-DP | Replacement Lamp | 24 pcs (14W/20W) | Active |

CATALOG NUMBER BREAKDOWN

KT-LEDXXA21-0-E26-8XX

1 2 3 4 5 6 7 8

- 1 Keystone Technologies
- 2 LED Lamp
- 3 Wattage
- 4 Lamp Style
- 5 Omni-Directional
- 6 Base Type
- 7 800 Series
- 8 Color Temperature