

2821



UPC Code: 07847780858

Country Of Origin: United States

* Eligible for ARRA funded projects

NEMA:
L22-30P



Made in USA



2821

Brand Features

Leviton's industry leading locking devices, such as our Black & White line of industrial grade plugs and connectors and receptacles, offer superior performance, long lasting reliability and other features that are backed by a lifetime warranty.

Item Description

30 Amp, 277/480 Volt 3PY, NEMA L22-30P, 4P, 5W, Locking Plug, Industrial Grade, Grounding - BLACK-WHITE

Technical Information

AC Horsepower Ratings

At Rated Voltage: 10 HP

Electrical Specifications

Dielectric Voltage: Withstands 2000V per UL498

Grounding: Grounding

Temperature Rise: Max 30C after 250 cycles OL at 200 percent rated current

Voltage: 277/480 Volt 3PY

Current Interrupting: Certified for current interrupting at full rated current

Amperage: 30 Amp

Wire: 5

Pole: 4

Environmental Specifications

Operating Temperature: -40C to 60C

Flammability: Rated HB or better UL94

Material Specifications

Body Material: Impact Modified Nylon

Back Cover: Thermoplastic

Terminal Screws: Brass

Wire Module: Nylon

Color: Black-White

Cord-Clamp: Nylon

Blades/Contacts: Solid Brass

Clamp Insert: Nylon

Assembly Screws: Steel, Zinc Plated

Mechanical Specifications

Product ID: Ratings are permanently marked on device

Terminal ID: Brass-Hot, Green-Ground, Silver-Neutral

Terminal Accom.: 18-10 AWG

Cord Range: .595 - 1.150

Wire Gauge: 14-8 AWG

Product Features

Color: Black-White

NEMA: L22-30P

Standards and Certifications

Warranty: Lifetime Warranty

CSA C22.2 No. 42: File LR-406

UL Fed Spec WC-596: File E13393

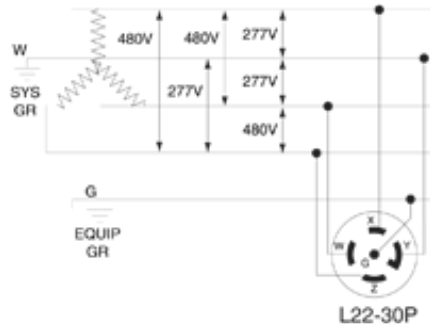
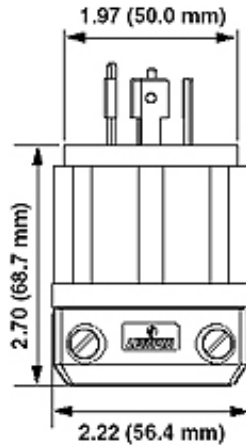
ANSI: C-73

UL498: File E13393

NOM: 057

NEMA: WD-6

Dimensional Diagram



SPECIFICATION SUBMITTAL

JOB NAME:	CATALOG NUMBERS:	
<input type="text"/>	<input type="text"/>	<input type="text"/>
JOB NUMBER:	<input type="text"/>	<input type="text"/>

Leviton Manufacturing Co., Inc.

201 North Service Road, Melville, NY 11747

Teléfono: +1-800-323-8920 · FAX: +1-800-832-9538 · Tech Line (8:30AM-7:30PM E.S.T. Monday-Friday): +1-800-824-3005

Leviton Manufacturing of Canada, Ltd.

165 Hymus Boulevard, Pointe Claire, Quebec H9R 1E9 · Telephone: +1-800-469-7890 ·

FAX: +1-800-824-3005 · www.leviton.com/canada

Leviton S. de R.L. de C.V.

Lago Tana 43, Mexico DF, Mexico CP 11290 · Tel.: (+52)55-5082-1040 · FAX: (+52)5386-

1797 · www.leviton.com.mx

Visit our Website at: www.leviton.com

© 2012 Leviton Manufacturing Co., Inc. Todos los derechos reservados. Subject to change without notice.

Leviton has a global presence.

If you would like to know where your local Leviton office is located please go to:

www.leviton.com/international/contacts/



**Leviton is the smart choice, providing the most comprehensive range of solutions to meet the needs of today's residential, commercial and industrial buildings. Leveraging more than a century of experience, Leviton helps customers create sustainable, intelligent environments through its electrical wiring devices, network and data center connectivity solutions, and lighting energy management systems. From switches and receptacles, to daylight harvesting controls, networking systems, and equipment for charging electric vehicles, Leviton solutions help customers achieve savings in energy, time and cost, all while enhancing safety.*