

NATL-5096-24-HWD10

24V Class II Dimmable Hardwire LED Driver, 0-10V dimming

PRODUCT DESCRIPTION

24V enclosed dimmable driver to be used with Nora Lighting's 24 Volt systems.

FEATURES

- 0-10V dimming
- Conduit access wiring compartment
- Meet Class II output limits
- 24V DC rated output
- Includes 10' power line connector (NALTL-10)
- cULus listed enclosure & cULus recognized driver

ELECTRICAL

Input Voltage: 120-277V

Output Voltage: 24VDC

Wattage: 96W

THD: < 20%

Power Factor: > 0.95

Dimming: 0-10V

Protection: Short circuit, overvoltage and over-temperature protection

OPTIONAL ACCESSORIES

NALTL-10: 10' power line connector (included)

NALTL-30: 30' power line connector

NATL-302: Power line splitter, black cable. Splits power line connector into two separate connections.

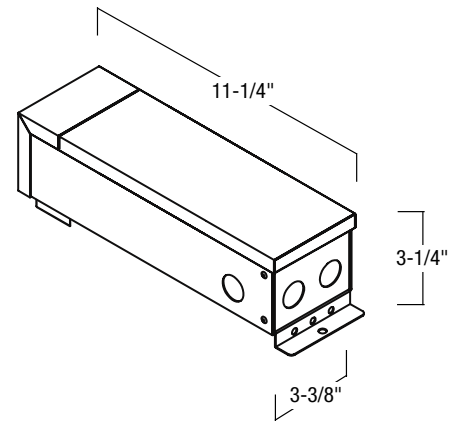
NATL-302W: Power line splitter, white cable. Splits power line connector into two separate connections.

LABELS AND LISTINGS

- cULus Listed Enclosure
- cULus Recognized Driver



PRODUCT IMAGES AND DIMENSIONS



24V Class II Dimmable Hardwire LED Driver, 0-10V dimming

Catalog No. _____

NATL-5096-24-HWD10 = 24V / 96W / Class II Dimmable Hardwire LED Driver, 0-10V dimming

Optional Accessories

Catalog No. _____

NALTL-10 = 10' Power Line Connector (included w/each driver)

NALTL-30 = 30' Power Line Connector

NATL-302 = Power Line Splitter, Black

NATL-302W = Power Line Splitter, White

NALTL-10 / NALTL-30
Power Line Connector (10' included)

NATL-302
Power Line Splitter



Example: **NATL-5096-24-HWD10** = 24V / 96W / Class II Dimmable Hardwire LED Driver, 0-10V dimming