

**Project:**

**Type:**

**Prepared By:**

**Date:**



UPC: 19813751214



### Features and Benefits

**FLUORESCENT REPLACEMENT** - Replace conventional fluorescent T8 linear tubes

**EASY TO INSTALL** - Simply plug and play No rewiring, no tools, no instructions

**50,000-HOUR LIFESPAN** - Lasts 1.6x longer than conventional fluorescent tubes

**ENCLOSED FIXTURE RATED** - May be used in enclosed and open fixtures

**DIFFUSION COATING** - Will maintain the same light quality over time and won't yellow, shrink, or wrinkle

**BALLAST COMPATIBLE** - Please check Compatibility List

**SAVE ENERGY AND MONEY** - Approximately 40% more efficient than conventional T8 lamps

**INSTANT ON** - No warmup time required, full brightness instantly

**MERCURY FREE** - Environmentally friendly vs fluorescent technologies

### Technical Specifications

Product Type	Linear
Bulb Shape	T8
Nominal Length	3FT
Finish	Frosted
Wattage	8W
Wattage Equivalency	25W Fluorescent
Typical Lumen Output	1200
Efficacy	150 lm/W
Color Temperature	4000K Cool White
CRI	82
Base Type	G13
L70 Lifespan	50,000 hours
Operating Temperature	-20°C - 45°C
Dimmable	No
Beam Angle	240°
Warranty	5-Year, No-Compromise Warranty
For Use in Emergency Fixtures	No
For Use Outdoors in Open Fixtures	No

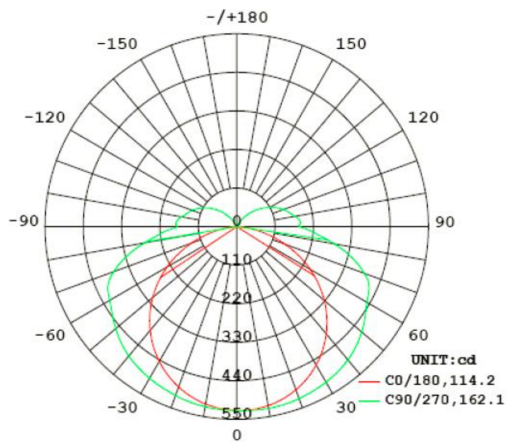
### Electrical Characteristics

Input Voltage	Ballast Dependent
Power Factor	Ballast Dependent
Operating Frequency	Ballast Dependent
Input Current @ 120V	Ballast Dependent
Input Current @ 277V	Ballast Dependent
Flicker	≤40%
THDi	<25%

### Listings

UL Listed	Yes
NSF Listed	Meets NSF/ANSI standards for use in Food Zone (non-contact), Splash, and Non-Food Zones
DLC Listed	This product is on the Design Lights Consortium (DLC) Qualified Products List and is eligible for rebates from DLC Member Utilities. DLC Product Code: P4D97KCC
DLC Model Number	T8-8-36G-840-DIR
DLC Product Code	P4D97KCC
CEC Status	Lawful for sale in California

## Light Distribution



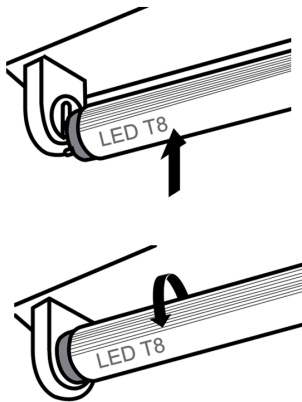
## Ballast Performance

	0.78BF	0.88BF	1.88BF
Lumens	1060	1180	1520
System Power (W)	8.7	9.8	13

## Case and Pallet Dimensions

	QTY	LENGTH	WIDTH	HEIGHT
CASE	25	37.2	7.9	7.3
PALLET	42	49.2	39.4	48.8

## Wiring Diagram



## Dimension

