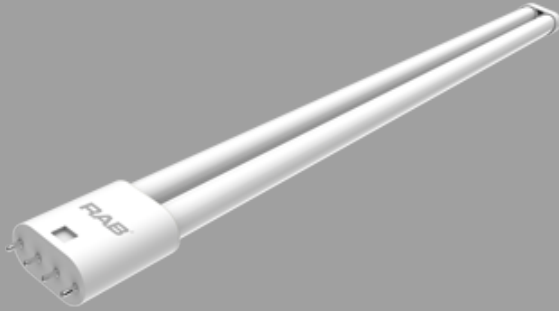


Project:

Type:

Prepared By:

Date:



UPC: 19813751610



Features and Benefits

BALLAST BYPASS - Reduces maintenance costs

ROTATABLE BASE - Adjust lighting direction

HIGH EFFICACY- Provides same output as fluorescent, but uses far less energy

50,000-HOUR LIFESPAN - Lasts 2-3X longer than conventional lamps

MERCURY FREE - Environmentally friendly vs fluorescent technologies

HIGH EFFICACY - Provides same output as fluorescent but uses far less energy

Technical Specifications

Product Type	Compact
Bulb Shape	PLL
Finish	Frosted
Wattage	17W
Wattage Equivalency	40W Fluorescent
Typical Lumen Output	2200
Efficacy	129 lm/W
Color Temperature	4000K Cool White
CRI	82
Base Type	2G11
L70 Lifespan	50,000 hours
Operating Temperature	-20°C - 45°C
Dimmable	No
Warranty	5-Year, No-Compromise Warranty
Installation Type	Type B, Ballast Bypass
Installation Orientation	Horizontal
For Use in Emergency Fixtures	No
For Use Outdoors in Open Fixtures	No

Electrical Characteristics

Input Voltage	120-277V
Power Factor	0.9
Operating Frequency	50 / 60 Hz
THDi	<20%

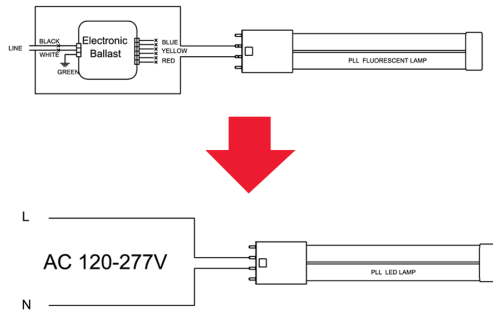
Listings

UL Recognized	Yes
UL Classified	Yes
NSF Listed	Meets NSF/ANSI standards for use in Food Zone (non-contact), Splash, and Non-Food Zones
DLC Listed	This product is on the Design Lights Consortium (DLC) Qualified Products List and is eligible for rebates from DLC Member Utilities.
DLC Model Number	PLL-17-840-BYP
DLC Product Code	PJMAWKQ7
CEC Status	Lawful for sale in California

Case and Pallet Dimensions

	QTY	LENGTH	WIDTH	HEIGHT
CASE	25	23.6	9.8	6.5
PALLET	1400	47.2	39.4	40.2

Wiring Diagram



Dimension

