

A19 Series

Cree Professional Series LED Lamps

Product Description

At Cree®, we believe in better lighting. Better light is beautiful light. But it's more than just beautiful. It is light that makes you feel more productive, more relaxed and safer. Better light changes everything. That's why the new and improved 90+ CRI Cree Professional Series LED bulbs feature high color rendering that enhances your space and makes the colors of your decor appear vibrant, richer and more natural – true colors the way they are meant to be experienced.

The Cree® Professional Series LED A19 bulbs deliver up to 1,100 lumens of 2700K, 3000K, 4000K or 5000K light while consuming at least 84% less energy than the incandescent bulbs they replace. These lamps feature a consistent and balanced omnidirectional light source, turn on instantly, and are compatible with most standard incandescent dimmers; no buzz, no hum. The Cree® LED A19 series are suitable for enclosed fixtures, ENERGY STAR®-certified CEC California Compliant lamps, and are designed to last 25,000 hours.

Performance Summary

Lamp Delivered Light Output: 460-1,100 lumens

Input Power: 40W Replacement: 5.5 watts; 60W Replacement: 10 watts;
75W Replacement: 12.0 watts

CRI: >90

CCT: 2700K, 3000K, 4000K (60W Only), 5000K

Limited Warranty*: 5 years Commercial use

Lifetime: Designed to last at least 25,000 hours

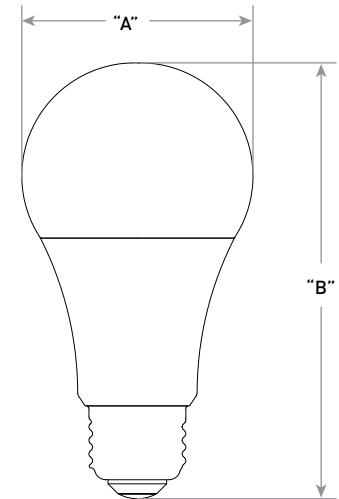
Dimming: Dimmable to 5% with select dimmers

ENERGY STAR® Certified, CEC California Title 20 Compliant

Lamps suitable for Enclosed Fixtures

Can be ordered in Single Lamp Cartons (Master Carton Quantity = 12)

*See <http://lighting.cree.com/warranty> for warranty terms



Wattage	Dim. "A"	Dimension "B"
40W	2.36" (60mm)	4.3" (110mm)
60W & 75W	2.44" (62mm)	4.6" (117mm)

Ordering Information

Example: A19-60W-P1-27K-E26-U1

A19		P1			E26		U1
Product	Watt Equivalent	Series	CCT	Voltage	Base	CRI	Packaging
A19	40W 40 Watt, 460 lumens 60W 60 Watt, 815 lumens 75W 75 Watt, 1,100 lumens	P1 Professional Series 1 st Generation	27K 2700K 30K 3000K 40K 4000K - 60W only 50K 5000K	Blank 120 Volt	E26 E26 (screw base)	Blank >90	U1 Single-Lamp Carton Master Carton = 12 Single-Lamp Cartons

Rev. Date: V1 10/04/2018



A19 Pro Series LED Lamps

Product Specifications

CONSTRUCTION & MATERIALS

- 40W A-type Bulb design weighs 1.6 ounces (45g); 60W A-type Bulb design weighs 3.1 ounces (88g); 75W A-type Bulb design weighs 3.3 ounces (94g)
- Bulb meets ANSI standards for A19 dimensions
- Uses a standard E26 screw base
- Mercury free
- **Dimensions:** 40W - 4.7" H x 2.4" W x 2.4" D (Single Lamp Carton); 5.4" H x 7.9" W x 10.3" D (Master Carton), 60W and 75W - 4.7" H x 2.5" W x 2.5" D (Single Lamp Carton); 5.4" H x 8.2" W x 10.8" D (Master Carton)

OPTICAL SYSTEM

- Omnidirectional light distribution
- Plastic globe offers increased optical spread

ELECTRICAL SYSTEM

- **Power Factor:** > 0.9 nominal
- **Input Voltage:** 120V, 60Hz
- **Dimming:** Dimmable to 5% with select dimmers. Visit lighting.cree.com/dimming
- **Operating Temperature Range:** -25°C - +45°C (-13°F - +113°F)

REGULATORY & VOLUNTARY QUALIFICATIONS

- cULus Listed
- Suitable for damp locations, but not for use where exposed directly to weather or water
- Suitable for use in enclosed light fixtures.
- Meets FCC Part 15, Subpart B, Class B standards for conducted and radiated emissions
- ENERGY STAR® certified. Please refer to <http://www.energystar.gov/productfinder/product/certified-light-bulbs/> results for most current information
 A19-40W-P1-27K-E26-U1
 A19-40W-P1-30K-E26-U1
 A19-40W-P1-50K-E26-U1
 A19-60W-P1-27K-E26-U1
 A19-60W-P1-30K-E26-U1
 A19-60W-P1-40K-E26-U1
 A19-60W-P1-50K-E26-U1
 A19-75W-P1-27K-E26-U1
 A19-75W-P1-30K-E26-U1
 A19-75W-P1-50K-E26-U1
- RoHS compliant. Consult factory for additional details
- CEC California Title 20 JA-8 Certified
- **CA RESIDENTS WARNING:** Cancer and Reproductive Harm - www.p65warnings.ca.gov

Packaging

Master Carton = 12 Single Lamp Cartons



Ordering Number	Single-Lamp Carton UPC	Description	Bulb Type	Watts	CCT	Single-Lamp Cartons per Master Carton	Master Carton ITF-14	Total Lamps per Master Carton	Master Cartons per Pallet Qty	CRI	Lumens	Rated Life (Hrs)
A19-40W-P1-27K-E26-U1	849665023043	40W Soft White A19 Equivalent	A19	5.5	2700K	12	10849665023040	12	176	>90	460	25,000
A19-40W-P1-30K-E26-U1	849665023050	40W Bright White A19 Equivalent	A19	5.5	3000K	12	10849665023057	12	176	>90	460	25,000
A19-40W-P1-50K-E26-U1	849665023067	40W Daylight A19 Equivalent	A19	5.5	5000K	12	10849665023064	12	176	>90	460	25,000
A19-60W-P1-27K-E26-U1	849665023074	60W Soft White A19 Equivalent	A19	10	2700K	12	10849665023071	12	152	>90	815	25,000
A19-60W-P1-30K-E26-U1	849665023081	60W Bright White A19 Equivalent	A19	10	3000K	12	10849665023088	12	152	>90	815	25,000
A19-60W-P1-40K-E26-U1	849665023098	60W Cool White A19 Equivalent	A19	10	4000K	12	10849665023095	12	152	>90	815	25,000
A19-60W-P1-50K-E26-U1	849665023104	60W Daylight A19 Equivalent	A19	10	5000K	12	10849665023101	12	152	>90	815	25,000
A19-75W-P1-27K-E26-U1	849665023111	75W Soft White A19 Equivalent	A19	12	2700K	12	10849665023118	12	152	>90	1,100	25,000
A19-75W-P1-30K-E26-U1	849665023128	75W Bright White A19 Equivalent	A19	12	3000K	12	10849665023125	12	152	>90	1,100	25,000
A19-75W-P1-50K-E26-U1	849665023135	75W Daylight A19 Equivalent	A19	12	5000K	12	10849665023132	12	152	>90	1,100	25,000

© 2018 Cree, Inc. and/or one of its subsidiaries. All rights reserved. For informational purposes only. Content is subject to change. Patent www.cree.com/patents. Cree® and the Cree logo are registered trademarks of Cree, Inc. The UL logo is a registered trademark of UL LLC. ENERGY STAR® and the ENERGY STAR logo are registered trademarks of the U.S. Environmental Protection Agency.

US: lighting.cree.com

T (800) 236-6800 F (262) 504-5415

Canada: www.cree.com/canada

T (800) 473-1234 F (800) 890-7507

