

M-SERIES

MAGNETIC DIMMABLE LED DRIVER

P/N: M300L24DC

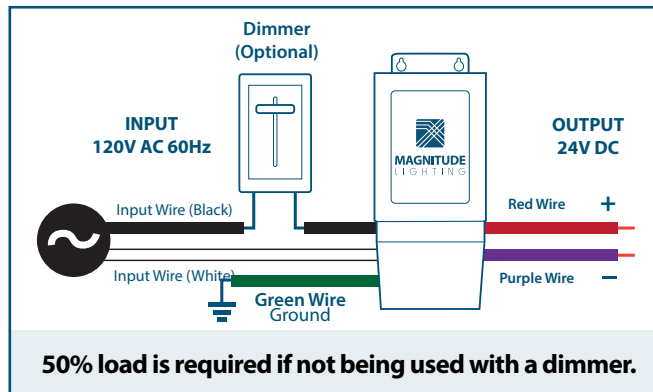


Magnitude's M300L24DC is the most compact LED driver on the market with a magnetic transformer core. It is equipped with two push-to-reset circuit breakers on the input and output, which protect both the load and driver. The driver is encased in a coated metal box that includes 4 knock-outs on the bottom to enable easy installation that complies with electrical code requirements.

QUICK SPECS

Input Voltage	Max Output Power	Output Voltage	Output Current	Efficiency @ Max Load	Power Factor @ Max. Load	Envir. Protection Rating	Weight
120VAC	300W	24VDC	12.5 A	> 85%	> 0.93	NEMA 3R	140oz

WIRING DIAGRAM

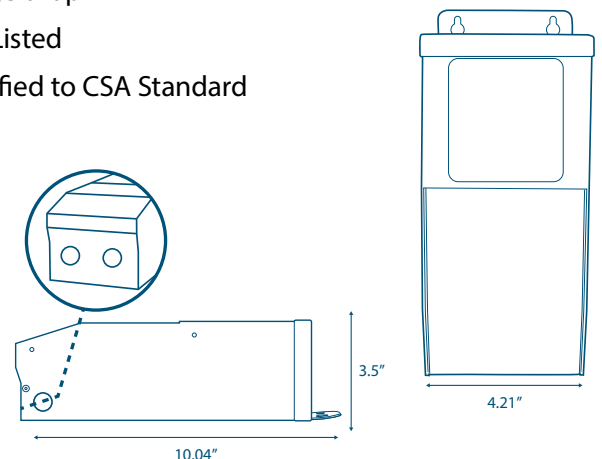


FEATURES

- Dimmable with any standard MLV/Incandescent TRIAC- (Leading edge) dimmer switch
- Dim down to 1%
- Dual protection - two manual push-to-reset circuit breakers on the primary and secondary sides
- Low operating temperature
- Nema 3R - Outdoor Use
- Four bottom knock-outs
- Optional 10% voltage boost to compensate for voltage drop
- ETL Listed
- Certified to CSA Standard

ENCLOSURE DETAILS In. (mm)

Length	10.04 (255.1)
Width	4.21 (107)
Height	3.5 (88.8)



M-SERIES

MAGNETIC DIMMABLE LED DRIVER

SPECIFICATIONS

Input	
Input Voltage	120VAC
Input Current @ Max Load	2.86 A
Power Factor	> 0.93
Efficiency	> 85%
Output	
Max Load	300W
Output Voltage	23.5 VDC @Full Load
Output Current @ Max Load	12.5 A
Open Circuit Output Voltage	25.5 VDC
Coil Former	Double Section Bobbin
Environmental	
Operating Temperature	-30°C - 45°C (-22°F - 113°F)
Min Installation space between drivers	5" Inch
Thermal Class	B130°C
Dimming	
Minimum Dimming Level	1%
Protections	
Circuit Breaker	Primary and secondary push to reset
Mechanical & Housing	
Leads Primary	PVC 600V #18
Leads Secondary	PVC 300V #12
Length	10.04 (255.1mm)
Width	4.21" (107mm)
Height	3.5" (88.8mm)
Weight	140oz
Housing Material	Coated metal
Housing Color	Black
Junction Box	Yes
Mounting	Two Hole flange mounting
Approval Markings	
Certificates / Approval Signs	UL 8750

M-SERIES MAGNETIC DIMMABLE LED DRIVER

