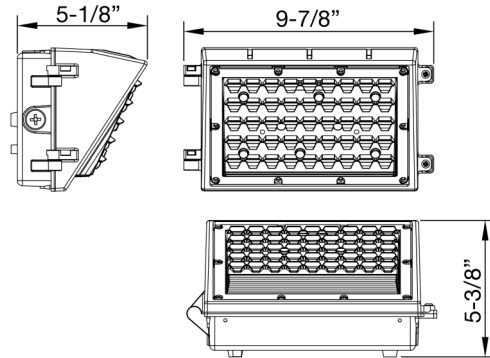




Wallpack Directed Optics 75W

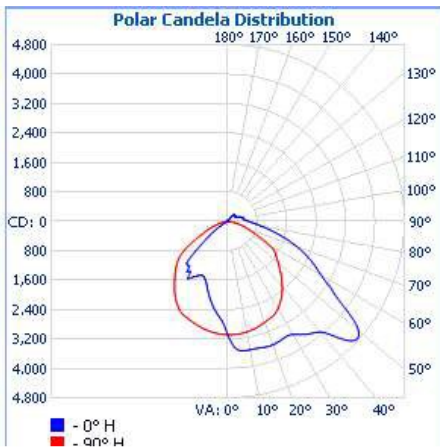


Features:

- Directed Optics - Polycarbonate Lens
- Excellent Heat Dissipation - Maximum Life Expectancy
- LumiLEDs
- Photocell Not Included - 120-277V PC Compatible
- Diecast Aluminum Housing

Part#	Housing Color	Wattage	Lumens	CCT	Voltage	Dimming	Light Pattern	Lumens/Watt	DLC#
71446	Bronze	75	9978	5000	120-277	N/A	93°	133	PL7MQ5BI3TBI

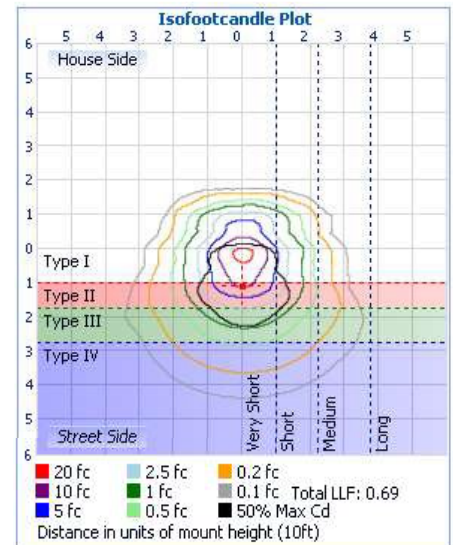
PHOTOMETRY



Illuminance at a Distance

Center Beam fc	Beam Width	
2.0ft	770.4 fc	3.1 ft 3.5 ft
4.0ft	192.6 fc	6.2 ft 7.0 ft
6.0ft	85.6 fc	9.3 ft 10.5 ft
8.0ft	48.1 fc	12.4 ft 14.0 ft
10.0ft	30.8 fc	15.5 ft 17.5 ft

■ Vert. Spread: 75.4° ■ Horiz. Spread: 82.5°





Wallpack

Directed Optics

75W

Technical Specifications:

Electrical:

Input Voltage: 120 thru 277
Current: .632A @ 120V; .288A @ 277V
Frequency: 60Hz
Power Factor: $\geq .94$
THD: 8.31 @ 120V; 15.11 @ 277V

Product Parameters:

Watts: 75
Lumens: 9978
Efficacy: 133 lumens per watt
50,000+ Hour L70 Life Span
CCT: 5000K (Cool White)

Chromaticity Measurements:

Beam Angle: 93°
BUG Rating: B2-U3-G3
CRI: >77
R9: -14
DUV: .0040
Chromaticity (x,y): $x=.3273$; $y=.3444$
Chromaticity (u,v): $u=.2021$; $v=.3190$

Component Specifications:

LED: LumiLEDs 3030
Driver: 100-277V 50-60HZ
Driver Output Volts: 28-40V
Driver Output Amps: 2000mA
6KV Surge Protection

Dimming: No

Operating Temperature:

Minimum Starting -40°F - 131°F

Construction:

Housing: ADC12 Aluminum Alloy
Powder Coated
IP Rating: IP65 suitable for wet locations

Lens Material: High Light Transmittance Polycarbonate
UV Resistant
Fire Resistant

Mounting: Wall Mount

Listings: UL Listed: E474299
DLC#: PL7MQ5BI3TBI

Carton Qty: 1
Weight: 9 lb

Warranty:

Morris Products carries a 5 year warranty from date of purchase against defects in materials and workmanship (assuming normal and proper usage).