

8300-T


Duplex Receptacle Outlet, Extra Heavy-Duty Hospital Grade, Smooth Face, 20 Amp, 125 Volt, Back or Side Wire, NEMA 5-20R, 2-Pole, 3-Wire, Self-Grounding - Light Almond



Color :  Light Almond

UPC Code : 07847732162

Country Of Origin : Please Contact Customer Service.

NEMA :  5-20R

Available Colors :



Black



Brown



Gray



Ivory



Red



White

Technical Information

AC Horsepower Ratings

Horsepower Rating : 1 HP

Electrical Specifications

Amperage : 20 A

Current Limiting : Full Rated Current

Dielectric Voltage : Withstands 2000V per UL498

Grounding : Self-Grounding

Pole : 2

Temperature Rise : Max 30C after 250 cycles OL at 200 percent rated current

Voltage : 125 VAC

Wire : 3

Environmental Specifications

Operating Temperature : -40°C to 60°C

Material Specifications

Body Material : Nylon

Clamp Nuts : Zinc-Plated Steel

Color : Light Almond

Face Material : Nylon

Ground Clips : Nickel-Plated Brass

Grounding Screw : Plated Brass

Line Contacts : Nickel-Plated Brass Triple-Wipe .040 Thick

Strap Material : Nickel Plated Brass

Terminal Screws : Nickel-Plated Brass 10-32

Yoke : Nickel-Plated Brass

Mechanical Specifications

Product ID : Markings are permanently marked on device

Terminal Accom. : 14-10 AWG

Terminal ID : Brass-Hot, Green-Ground, Silver-Neutral

Termination : Back or Side Wire

Torque Range : 14-16 inch pounds

Product Features

Color : Light Almond

Device Type : Duplex Receptacle Outlet

Feature 4 : Smooth Face

Grade : Extra Heavy-Duty Hospital Grade

Grounding : Self-Grounding

NEMA : 5-20R

Strap Material : Nickel Plated Brass

Warranty : 10-Year Limited

Standards and Certifications

ANSI : C-73

CSA C22.2 No. 42 : File 152105

NEMA : WD-6

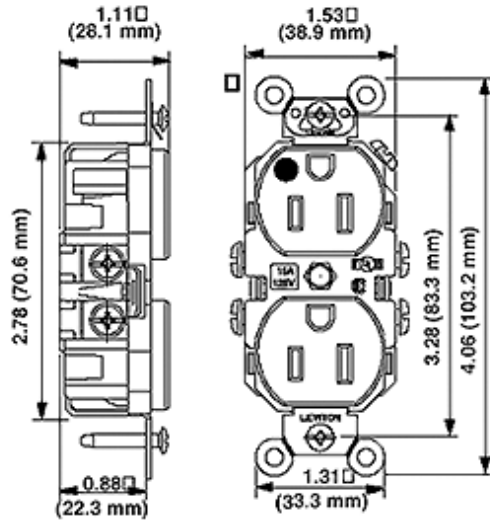
NOM : 057

RoHS : Compliant

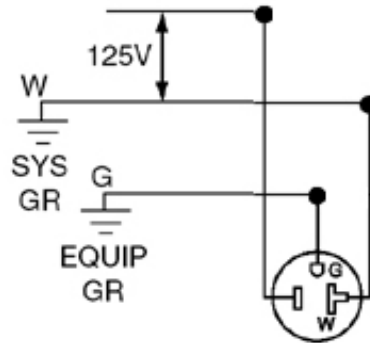
UL Fed Spec WC-596 : File E13399

UL498HG : File E13399

Warranty : 10-Year Limited



Wiring Diagram



5-20R

SPECIFICATION SUBMITTAL

JOB NAME: <input type="text"/>	CATALOG NUMBERS: <input type="text"/>	<input type="text"/>
JOB NUMBER: <input type="text"/>	<input type="text"/>	<input type="text"/>

Leviton Manufacturing Co., Inc.

201 North Service Road, Melville, NY 11747

Telephone: +1-800-323-8920 · FAX: +1-800-832-9538 · Tech Line (8:30AM-7:30PM E.S.T. Monday-Friday):

+1-800-824-3005

Leviton Manufacturing of Canada, Ltd.

165 Hymus Boulevard, Pointe Claire, Quebec H9R 1E9 · Telephone: +1-800-469-7890 ·

FAX: +1-800-824-3005 · www.leviton.com/canada

Leviton S. de R.L. de C.V.

Lago Tana 43, Mexico DF, Mexico CP 11290 · Tel.: (+52)55-5082-1040 · FAX: (+52)5386-

1797 · www.leviton.com.mx

Visit our Website at: www.leviton.com

© 2018 Leviton Manufacturing Co., Inc. All Rights Reserved. Subject to change without notice.

Leviton has a global presence.

If you would like to know where your local Leviton office is located please go to:

www.leviton.com/international/contacts/

