

Stainless Steel Explosion Proof UNY (Union)

Features:

- Manufactured in type 316 stainless steel to meet any stringent sanitary condition
- Polished with standard "brite" finish to increase corrosion resistance and aesthetic appearance
- Explosion proof, dust-ignition proof
- Designed for use with stainless steel threaded conduit
- NPT male threads and machined tapered female threads for smooth bore inside diameter
- No package qty. required



Certifications and Compliances:

UL 1203 Listed

CSA C22.2 Listed

UL file number – E465422

Suitable for use in Class I Division 1 Groups A, B, C and D; Class II Division 1

Groups E, F and G; and Class III Hazardous Locations

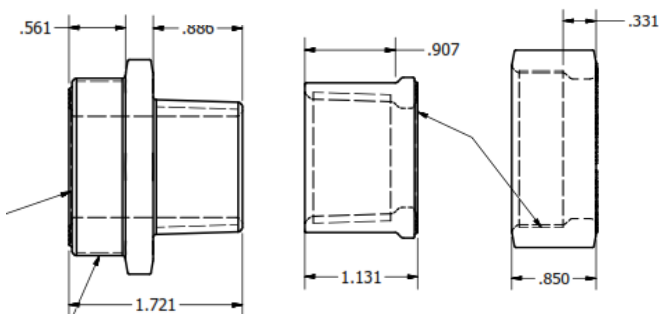
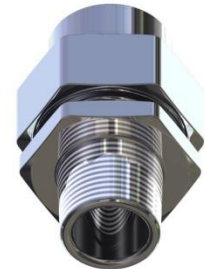
Made in the USA

Applications:

Calbrite's stainless steel UNY's are used in hazardous areas to join and connect conduit and/or other conduit fittings. Allows for simplified installations by eliminating disassembly of the conduit or fittings with the one piece design.

Industries Commonly Served:

- Food & Beverage Production & Distribution
- Chemical Plants
- Water & Wastewater Treatment
- Pharmaceuticals & Cosmetics
- Refining & Extraction Sites
- Petrochemical
- Pulp & Paper Mills
- Marine & Coastal Facilities
- Along with other corrosive environments



Part Number	Overall Length	Overall Width	Thread Length	Weight (ea) per lb.
S60700UNY0	2.700"	1.900"	0.635"	0.75
S61000UNY0	2.825"	2.200"	0.750"	0.96

All dimensions are for informational purposes only *Tolerances +/- 5%