

## DESCRIPTION

The CWC is a wet location, LED based combination exit/emergency light. The combo has an EXIT face-plate and lamp-head shield made of UV stabilized polycarbonate. The housing is made of 5VA flame retardant polycarbonate with a white finish and is fully sealed and gasketed. Includes a die-cast canopy for ceiling or end mount. Combo can also be wall mounted using the universal knock-out pattern in single-face application. Illumination provided by 2 each high power MR-16 based LED's driven at 3.6 watts per head. Knock-out chevrons provide directional indication.



tradeSELECT™

## APPLICATION

The CWC can be applied in areas that are susceptible to rain and severe moisture, such as parking decks, pools and outdoor commercial applications.

## COMPLIANCES

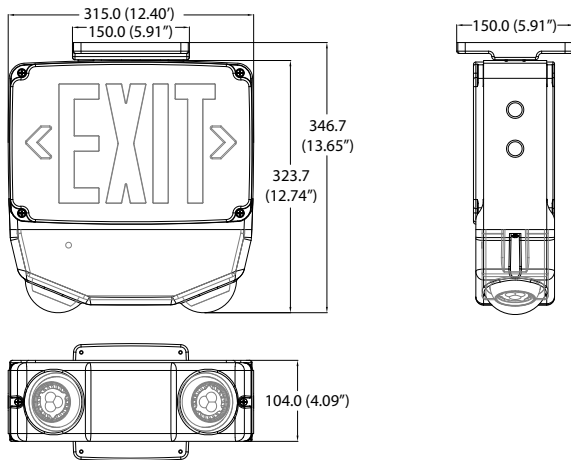
UL924 Listed for Wet Location  
NFPA 101 and NFPA 70  
OSHA

## FEATURES

- Includes Self-Test/Self-Diagnostics
- LED life-cycle of more than 10 years
- Fully Adjustable lamp-heads
- Quick installation
- 120/277VAC input
- Includes long-life 6VDC Nickel Cadmium battery
- Full re-charge within 24 hours
- Provided with magnetic test switch and AC-On indicator
- UL924 Wet Location Listed, 0C° to 50°C Standard Model, -20°C to 50°C with CT, "Cold Temperature" option

## WARRANTY

2 year full unit warranty



## INPUT POWER REQUIREMENTS

	Input Watts (W)		Input Amps (A)	
	120V	277V	120V	277V
<b>CWC1RW</b>	5.2	5.2	0.05	0.022
<b>CWC2RW</b>	5.2	5.2	0.05	0.022
<b>CWC1GW</b>	5.2	5.1	0.05	0.021
<b>CWC2GW</b>	5.2	5.1	0.05	0.021
<b>CWC1RW-CT</b>	33.6	147.2	0.288	0.536
<b>CWC2RW-CT</b>	33.6	147.2	0.288	0.536
<b>CWC1GW-CT</b>	33.6	147.1	0.288	0.536
<b>CWC2GW-CT</b>	33.6	147.1	0.288	0.536

Note:  
Photometric files available for download at [www.compasslightingproducts.com](http://www.compasslightingproducts.com)

**Single Carton Weight:** 8.0 lbs.  
**Master Carton Quantity:** 4 each

## ORDERING GUIDE

Catalog Number	Description
<b>CWC1RW</b>	Single Face, Red Letters
<b>CWC2RW</b>	Double Face, Red Letters
<b>CWC1GW</b>	Single Face, Green Letters
<b>CWC2GW</b>	Double Face, Green Letters
<b>CWC1RW-CT</b>	Single Face, Red Letters, Cold Temperature Operation
<b>CWC2RW-CT</b>	Double Face, Red Letters, Cold Temperature Operation
<b>CWC1GW-CT</b>	Single Face, Green Letters, Cold Temperature Operation
<b>CWC2GW-CT</b>	Double Face, Green Letters, Cold Temperature Operation