

# 5380-I

# Tamper Resistant Receptacles



**UPC Code:** 07847700921

**Country of Origin:** Mexico - \*Eligible for ARRA funded projects > \$7,443,000

**NEMA:** 5-20R



## Brand Features

Leviton's Surge Protection Devices can be used individually or as part of a coordinated application strategy, to protect sensitive electronic equipment, in industrial, commercial and residential locations, from the stress and degradation inflicted by voltage transients. Leviton Surge Protection Devices are compliant with UL 1449 Standards. Leviton's outstanding Surge Protection Devices divert damaging voltage transients, or surges, away from electronic equipment. Transients are diverted away from sensitive micro circuitry, providing protection against catastrophic failure, costly downtime and data disruptions.

## Item Description

20 Amp, 125 Volt, 20A feed through, NEMA 5-20R, 2P, 3W, Decora Plus Duplex Receptacle, Straight Blade, Industrial Grade, Self Grounding, Surge w/ Indicator Light, Back & Side Wired, Steel Strap, - Ivory

## Technical Information

### AC Horsepower Ratings

**At Rated Voltage:** 1 HP

### Electrical Specifications

**Amperage:** 20 Amp

**Voltage:** 125 Volt

**Pole:** 2

**Wire:** 3

**Grounding:** Self-Grounding

**Dielectric Voltage:** Withstands 2000V per UL498

**Current Limiting:** Full Rated Current

**Temperature Rise:** Max 30C after 250 cycles OL at 200 percent rated current

### Environmental Specifications

**Flammability:** Rated V-2 per UL94

**Operating Temperature:** -40C to 60C

### Material Specifications

**Face Material:** Thermoplastic Nylon

**Body Material:** Thermoplastic Nylon

**Terminal Screws:** Brass 10-32

**Grounding Screw:** Brass 8-32

**Ground Clips:** Brass-Plated

**Face Material:** Nylon

**Body Material:** Polycarbonate

**Line Contacts:** Brass Triple-Wipe

**Terminal Screws:** Brass-Plated Steel

**Grounding Screw:** Brass-Plated Steel

**Yoke:** Zinc-Plated Steel

**Clamp Nuts:** Zinc-Plated Steel

**Ground Clips:** Brass-Plated Steel

**Shutter Mechanism:** Delrin® Acetal

### Mechanical Specifications

**Terminal ID:** Brass-Hot, Green-Ground, White-Neutral

**Terminal ID:** Brass-Hot, Green-Ground, Silver-Neutral

**Terminal Accom.:** 14-10 AWG

**Product ID:** Ratings are permanently marked on device

**Torque Range:** 14-16 inch pounds

### Performance Data

**MCOV:** 150V rms

**Joules Rating:** 720

**Nominal Discharge Current Rating:** 3kA

**Maximum Surge Current, Per Mode (Per Phase):** 27kA (L-N:18kA, L-G:9kA)

**Noise Rejection:** -30dB at 500kHz-30MHz

**VPR:** L-N: 600V, L-G: 700V, N-G: 600V

**Short Circuit Current Rating:** 5kA

**Diagnostics:** Indicator Light

### Product Features

**Face Material:** Thermoplastic Nylon

**Body Material:** Thermoplastic Nylon

**Color:** Ivory

**NEMA:** 5-20R

### Standards and Certifications

**NEMA:** WD-6

**ANSI:** C-73

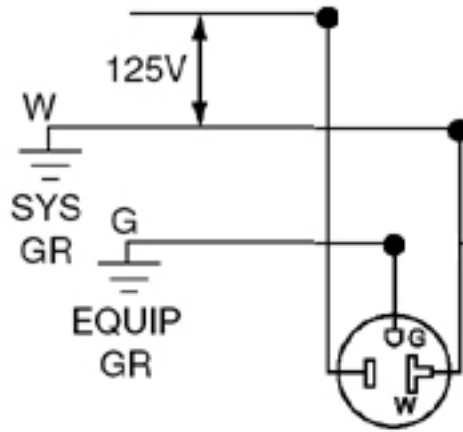
**Agency Certifications:** UL 498, UL 1449 3rd Edition Listed and CSA C22.2 Certified Type 3

**NOM:** 057

### Warranty

**Product Warranty:** 10-Year Limited

## Wiring Diagram



5-20R

### SPECIFICATION SUBMITTAL

JOB NAME: <input style="width: 90%;" type="text"/>	CATALOG NUMBERS: <input style="width: 95%;" type="text"/>
JOB NUMBER: <input style="width: 90%;" type="text"/>	<input style="width: 95%;" type="text"/>

**Leviton Manufacturing Co., Inc.**

201 North Service Road, Melville, NY 11747  
 Telephone: 1-800-323-8920 · FAX: 1-800-832-9538 · Tech Line (8:30AM-7:30PM E.S.T. Monday-Friday): 1-800-824-3005

**Leviton Manufacturing of Canada, Ltd.**

165 Hymus Boulevard, Pointe Claire, Quebec H9R 1E9 · Telephone: 1-800-469-7890 ·  
 FAX: 1-800-824-3005 · [www.leviton.com/canada](http://www.leviton.com/canada)

**Leviton S. de R.L. de C.V.**

Lago Tana 43, Mexico DF, Mexico CP 11290 · Tel.: (+52)55-5082-1040 · FAX: (+52)5386-1797 · [www.leviton.com.mx](http://www.leviton.com.mx)

**Visit our Website at: [www.leviton.com](http://www.leviton.com)**

© 2012-2016 Leviton Manufacturing Co., Inc. All rights reserved. Subject to change without notice.

**Leviton has a global presence.**

If you would like to know where your local Leviton office is located please go to: [www.leviton.com/international/contacts/](http://www.leviton.com/international/contacts/)



*\*Buy American Compliant Logo -- The American Recovery And Reinvestment Act of 2009 ("ARRA") provides federal grants and loans for projects throughout the country. Section 1605 of the Act, named the "Buy American" provision, requires that certain materials and manufactured products used in projects funded by the Act be manufactured in the United States. The appearance of the Recovery Act Logo in relation to a Leviton product is only intended to reflect that such product may be used in an ARRA funded project. It does not mean that such product or Leviton is sponsored or endorsed by, or that Leviton receives funds from, the federal government or the Recovery Accountability and Transparency Board. Nothing in Leviton's use of the logo is intended to suggest anything regarding the requirements for funding under ARRA.*