



Elbows-PVC Coated
T&B Catalog Number:

LRELL4X48-G

UPC Number:

70450839627

Status:

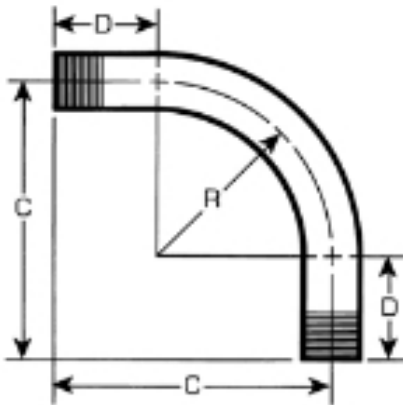
Active

Description:

Large Radius Elbow, 40 Mil PVC Coated, Pipe Size 4 Inch/103 Metric, Angle 90 Degrees, Radius 48 Inch/1,219.20 Millimeters, Offset 5 Feet/1,524.00 Millimeters, Straight End 12 Inch/304.80 Millimeters, Unbent Length 102 Inch/2,590.80 Millimeters, Hot-Dip Galvanized Rigid Steel, Gray

Features

- A minimum .040 in. (40 mil) PVC coating on the exterior.
- A nominal .002 in. (2 mil) blue urethane on the interior.
- Ocal-Blue large radius elbows are factory bent to reduce the time and wasted materials that can result from field bending.
- Color coded thread protectors on each end.



General

Custom_Finish	Ire_44890
Material	Steel
Finish	Hot-Dip Galvanized
Color	Dark Gray
Thread Protector Color	Blue

Dimension Information

Pipe Size (Metric Size Designator*)	103
Size (inches)	4
Degree of Bend	90
Radius-R (inches)	48
Radius-R (mm)	1219.2
Offset-C (feet/inches)	5' 0"
Offset-C (mm)	1524.0
Straight End-D (inches)	12
Straight End-D (mm)	304.8
Unbent Length (feet/inches)	8' 6"
Unbent Length (mm)	2590.8

Technical Information

Chemical Resistance Chart	Available on Website
---------------------------	----------------------

Specifications

Ocal Specification Guide-1995 Master Format-PDF	Available on Website
Ocal Specification Guide-1995 Master Format-DOC	Available on Website
Ocal Specification Guide-2004 Master Format-PDF	Available on Website
Ocal Specification Guide-2004 Master Format-DOC	Available on Website

Packaging

T&B Inner Pack	1
Package in Units	20

T&B Sold in UOM	Each
T&B Weight Per UOM	96.46 lbs. Each

Application Support

Ocal Specifications	Available on Website
Recommended Installation Procedures	Available on Website
NEMA Standards-RN 1	Available on Website
NEC 310-16 - Conductors for General Wiring	Available on Website
NEC Table 8	Available on Website

Notes

Metric size designator (ANSI C80. 1-1994)
Dimensional values are of uncoated elbows.

Certifications

RoHS Compliance	No
-----------------	----

Certifications



File Nbr:
E 46453

For further technical assistance, please contact us...

Thomas & Betts - USA
8155 T&B Blvd.
Memphis, TN 38125
www.tnb.com

T&B Technical Support
MS 3B-50
8155 T&B Blvd.
Memphis, TN 38125

Hours: 7AM - 6PM CDT
Monday-Friday
Phone: (888) 862-3289
Fax: (901) 252-1321
Email:techsupport@tnb.com