

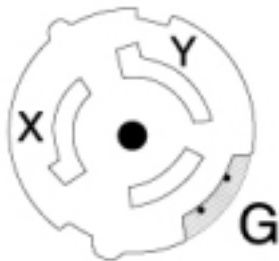
# CS8169



**UPC Code:** 07847732636

**Country of Origin:** Mexico - \*Eligible for ARRA funded projects > \$7,443,000

**Configuration:**



## Locking Wiring Devices

**Brand Features**

Leviton Black & White 50Amp Non-NEMA Locking devices are designed for faster wiring and longer life. Made from tough, impact-resistant nylon housings and metal shrouds, these plugs, connectors, receptacles and flanged inlets are designed for rugged environments like construction sites, commercial shipyards and convention centers.

**Item Description**

50Amp, 3-Phase 480V AC, Non-NEMA, 3P, 4W, Black & White Locking Flush Mount Receptacle, Industrial Grade, Grounding, California-Style(CS) – BLACK

**Technical Information**

Electrical Specifications

**Grounding:** Grounding

**Amperage:** 50 Amp

**Voltage:** 480 Volt 3-Phase

**Pole:** 3

**Wire:** 4

**Dielectric Voltage Withstand:** 2000V minimum per UL 498

**Maximum Working Voltage:** 3-Phase 480V as rated

**Current Interrupting:** Certified for current interrupting at full rated current

**Temperature Rise:** Max 30°C temp rise at full-rated current after 150 cycles of OL at 150% rated DC current

Environmental Specifications

**Flammability:** UL 94V-0

**Operating Temperature:** -40deg.C to 75deg.C (-40deg.F to 167deg.F)

Material Specifications

**Face Module:** Reinforced Nylon

**Body & Contract Carrier:** Reinforced Nylon

**Shroud:** .062inch thick Nickel Plated Steel

**Back Cover:** Reinforced Nylon

**Mounting Strap:** Single piece SS 302/304

**Mounting Screws:** SS 302/304

**Assembly Rivets:** SS 302/304

**Center Pin:** SS 302/304

**Connector Contact - Spring:** 0.041inch thick Brass

**Connector Contact - Binding Plate:** 0.100inch thick Brass

**Contact Rivet:** Brass

**Box Terminal:** 0.062inch thick Copper

**Terminal Set Screw:** SS 302/304

**Color:** Black

Mechanical Specifications

**Terminal ID:** X, W, Y, Z and Green for ground

**Terminal Accom.:** #10min to #6max AWG Solid or Stranded Wire (Stranded Wire for Ground only)

**Product ID:** Ratings and Catalogue No. molded into face

Product Features

**NEMA:** Non-NEMA

**Color:** Black

Standards and Certifications

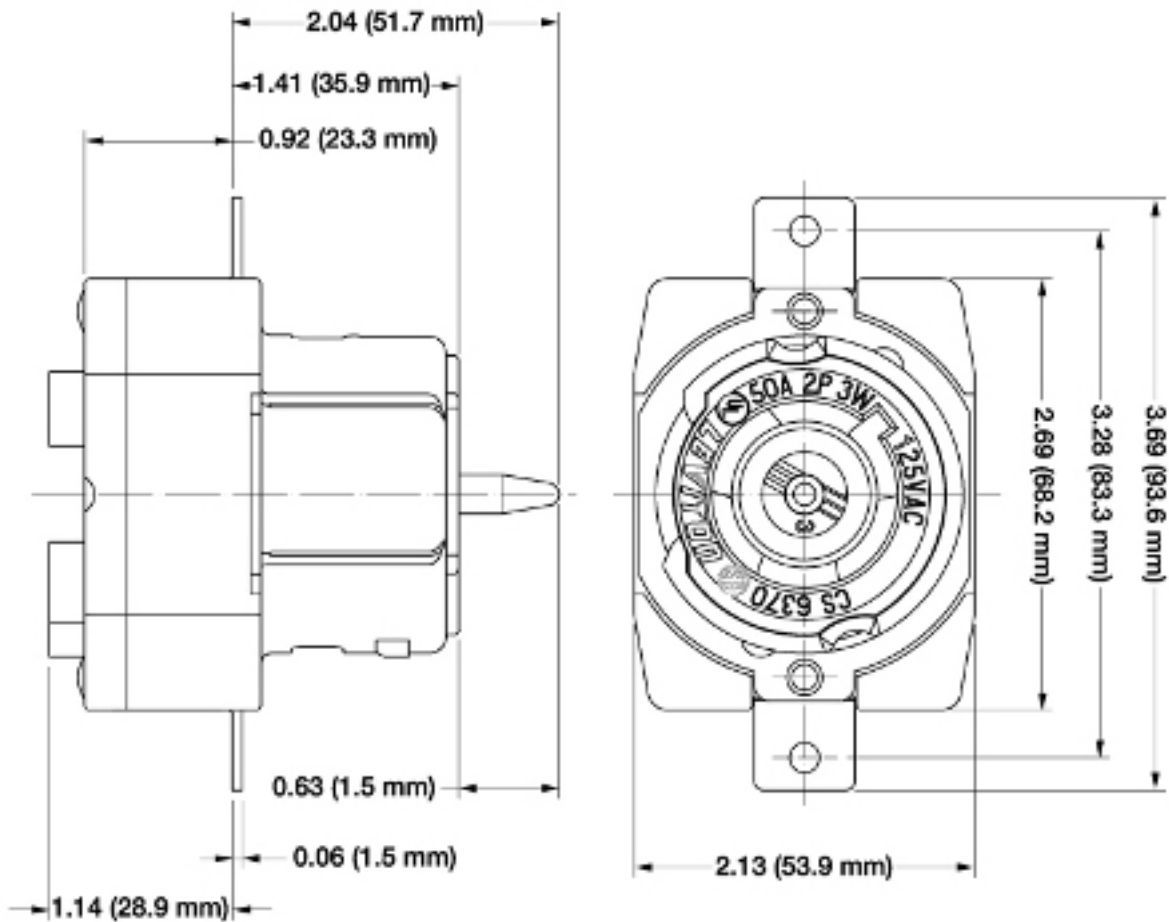
**UL 498:** File E13399

**CSA C22.2 No. 42:** File 152105

**NOM:** 057

**RoHS:** Compliant

**Warranty:** Lifetime Limited



**SPECIFICATION SUBMITTAL**

JOB NAME:	CATALOG NUMBERS:	
<input type="text"/>	<input type="text"/>	<input type="text"/>
JOB NUMBER:	<input type="text"/>	<input type="text"/>

**Leviton Manufacturing Co., Inc.**  
 201 North Service Road, Melville, NY 11747  
 Telephone: 1-800-323-8920 · FAX: 1-800-832-9538 · Tech Line (8:30AM-7:30PM E.S.T. Monday-Friday): 1-800-824-3005

**Leviton Manufacturing of Canada, Ltd.**  
 165 Hymus Boulevard, Pointe Claire, Quebec H9R 1E9 · Telephone: 1-800-469-7890 ·  
 FAX: 1-800-824-3005 · [www.leviton.com/canada](http://www.leviton.com/canada)

**Leviton S. de R.L. de C.V.**  
 Lago Tana 43, Mexico DF, Mexico CP 11290 · Tel.: (+52)55-5082-1040 · FAX: (+52)5386-1797 · [www.leviton.com.mx](http://www.leviton.com.mx)

Visit our Website at: [www.leviton.com](http://www.leviton.com)  
 © 2012-2016 Leviton Manufacturing Co., Inc. All rights reserved. Subject to change without notice.



**Leviton has a global presence.**  
 If you would like to know where your local Leviton office is located please go to: [www.leviton.com/international/contacts/](http://www.leviton.com/international/contacts/)

*\*Buy American Compliant Logo -- The American Recovery And Reinvestment Act of 2009 ("ARRA") provides federal grants and loans for projects throughout the country. Section 1605 of the Act, named the "Buy American" provision, requires that certain materials and manufactured products used in projects funded by the Act be manufactured in the United States. The appearance of the Recovery Act Logo in relation to a Leviton product is only intended to reflect that such product may be used in an ARRA funded project. It does not mean that such product or Leviton is sponsored or endorsed by, or that Leviton receives funds from, the federal government or the Recovery Accountability and Transparency Board. Nothing in Leviton's use of the logo is intended to suggest anything regarding the requirements for funding under ARRA.*