

# LED-8088E 50W LED for HID Retrofit for Shoebox/Wallpack

**LED** for **HID**  
**RETROFIT**

## Models

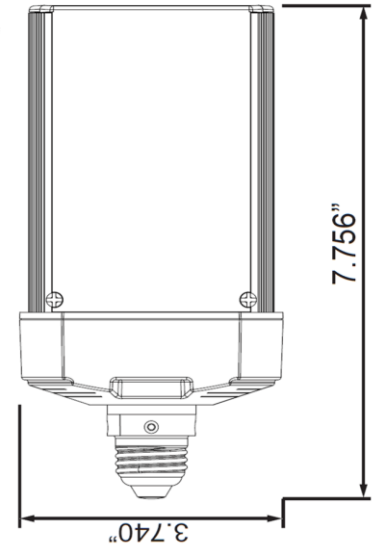
LED-8088EXX, 120-277VAC, ULus, 3000K 4000K or 5700K CCT, E26  
LED-8088EXXC, 120-347VAC, cUL, 4000K or 5700K CCT, E26

## Features

- > 50W LED Replaces 175W MH or HPS HID Lamps
- > Rotatable base enables user to accurately direct output to target
- > Designed for Horizontal installations
- > UL approved for damp environments and enclosed fixtures
- > Advanced active cooling: Active cooling and dynamic temperature control
- > 50,000 hour rated LED life (supported by LM80 and ISTMT reports (see website))
- > 5 Year Limited Warranty - see website for details
- > Rated for enclosed fixture



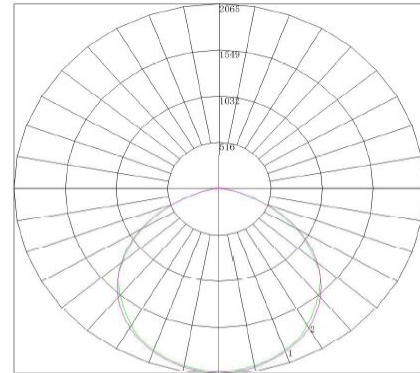
Type V



## Technical Specifications

Models US/CAN	LED-8088E30	LED-8088E40	LED-8088E57	LED-8088E40C	LED-8088E57C
	USA			Canada	
CCT	3000K	4000K	5700K	4000K	5700K
Power Consumption	50 watts				
Replaces	175 MH/HPS				
Mounting	E26				
Voltage	120-277VAC		120-347VAC		
LED Type	2835				
Beam Angle	Type V				
Dimmable	No				
Operating Temp	-40°F - +122°F				
Rated R70 Life	Up to 50,000 Hrs.				
Warranty	5 Year Limited*				
<b>LM79 Specifications</b>	<b>No</b>	<b>Yes</b>	<b>Yes</b>	<b>Yes</b>	<b>Yes</b>
Power (W)	50.91	50.91	50.94	50.91	50.94
CCT	3947	3947	5826	3947	5826
Light Output	5946	5946	5870	5946	5870
Efficacy	116	116	115.2	116	115.2
THD @ 277V	18.48%	18.48%	16.57%	18.48%	16.57%
PF @ 277V	0.918	0.918	0.938	0.918	0.938
CRI:	83.8	83.8	85.7	83.8	85.7
R9	12	12	20	12	20
Duv	9E-04	9E-04	0.002	9E-04	0.002
Packaging	9 / Master Carton				
Unit	5.3"x 4.7"x 10.1" 1.8lbs.				
Master	16.7"x 15" x 10.8" 13.8 lbs.				

## Polar Curves



## Installation Notes:

- Ballast must be bypassed
- Installing surge/lightning protectors is highly recommended
- Removing the reflector is recommended

LED Power Consumption (Watts)	HID Power Consumption (Watts)	HID Ballast Power Consumption (Watts)	Total Savings (Watts)	Annual Energy Savings (14 hrs/day)	Lifetime Energy Savings (over 50,000 hrs)
50	175	30	155	\$87	\$852.50

Mounting Orientation			Minimum Fixture Size Requirements (inches)			
Base Up	Base Down	Horiz				
				Length	9.7	
				Width	5.7	
				Height	5.7	
Approved			Approved		Cu. Inches	315.2



188 S. Northwest Highway • Cary, IL 60013  
(847) 380-3540 • FAX: (847) 380-3542  
www.led-llc.com

