

FEATURES & SPECIFICATIONS

INTENDED USE

Recessed housing rated IC or Non-IC. For new construction only.
 Approved for all ceiling and wiring types.
 Approved for direct burial in insulation.

CONSTRUCTION

Air-tight standard. Tested to meet current energy codes.
 Aluminum foam-gasketed housing with galvanized steel pan.
 Galvanized bar hangers span up to 24" o.c. and feature built in nailer and integral T-bar clips. Two locking screws hold fixture in position.
 Galvanized steel junction box with four built-in Romex clamps; five 1/2" and two 3/4" nominal knockouts with slots for pryout. Rated for through branch wiring.
 Maximum 4 (2 in, 2 out) No 12 AWG conductors. Rated for 90° C.
 Ground wire provided.
 Removable J-box doors for easy access.

Trim retention (TOR): Two side-mounted torsion springs on the trim and 2 receiving brackets in the can ensure a consistently tight fit with the ceiling.

ELECTRICAL

Quick disconnect provided for power connection to the LED modules.
 Paint overspray masked by disposable disconnect plug.
 Housing and LED module combination is IC rated and thermally protected.
 120 volts only.

INSTALLATION

Air-tight housing suitable for air-tight installations. Refer to energy codes for proper installation.
 2 x 8 wood joist or T-bar installation.
 Expandable bar hangers allow for off center mounting in wood joist or T-bar ceilings.
 Length of 25 1/4" maximum 13 1/4" minimum or cut to fit 9" on center joist construction.
 Vertical adjustment of housing allows for flush mounting with ceiling face.
 Suitable to ceilings up to 1-1/2" thick.

LISTINGS

UL Listed to US and Canadian safety standards.
 Wet location listed, Title 24 compliant.

WARRANTY — 1-year limited warranty. Complete warranty terms located at www.acuitybrands.com/CustomerResources/Terms_and_conditions.aspx

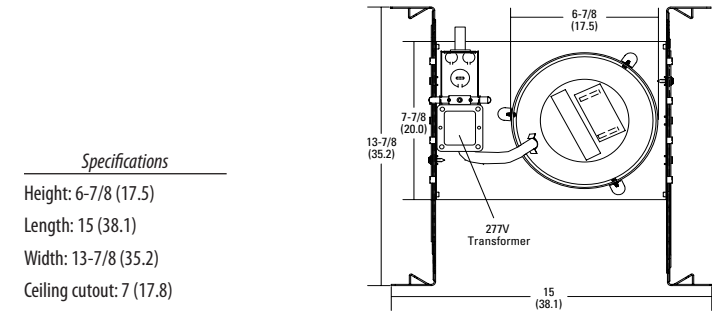
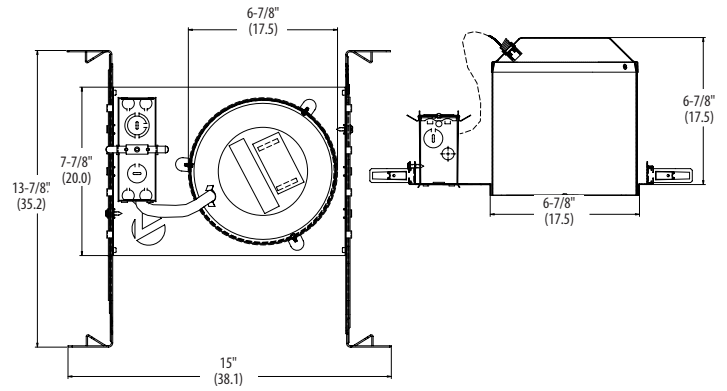
Note: Actual performance may differ as a result of end-user environment and application. Specifications subject to change without notice.

Catalog Number
Notes
Type

6" LED Housing

L7XLED T24

LED
 IC/Non-IC
 New Construction



Specifications

- Height: 6-7/8 (17.5)
- Length: 15 (38.1)
- Width: 13-7/8 (35.2)
- Ceiling cutout: 7 (17.8)

All dimensions are inches (centimeters) unless otherwise specified.

option 277V step down transformer

ORDERING INFORMATION

For shortest lead times, configure products using **bolded options**.

Example: L7XLED T24

L7XLED T24	Options	Packaging
L7XLED T24	SDT 277V Non-IC 277V step-down transformer (277V to 120V). Only available with REALITY LED Module (REAL6)	R6 Resale pack of six U Unit

Accessories: Order as separate catalog number.	
ATK6 R6	6" Air-tight trim kit
HS6875	6-7/8" hole saw

L7XLED T24 New Construction Housing

REALITY™ ENERGY STAR® (ESL) Open Narrow Flange LED Module (Wet location)



Example: REAL6 D6MW ESL 1000L 35K .60SC L7XLED T24

ORDERING INFORMATION

For shortest lead times, configure products using **bolded options**.

Series/Finish		ESL Type	Lumen output ¹	Color temperature	Distribution	Voltage	Options
Series REAL6 D6	Finish 6" ENERGY STAR retrofit module	ESL ENERGY STAR® qualified	600L 8W, 600 lumens 1000L 11W, 1000 lumens	27K 2700 K 30K 3000 K 35K 3500 K 40K 4000 K	.60SC .60 spacing criteria .90SC .90 spacing criteria	(blank) 120V	PFMW Matte white plastic flange ring PFBL Black plastic flange ring ISH Insect shield

Notes

1 Total system delivered lumens.

P Series Open and Baffle Wide Flange LED Modules (Wet Location)



Example: 6BP TRMW LED 27K 90CRI L7XLED T24

ORDERING INFORMATION

Lead times will vary depending on options selected. Consult with your sales representative.

Series/Finish	Lamp	CCT / CRI / W / Lumens ¹	Voltage
6BPMW 6" Baffle LED module, matte white	LED	(blank) 3000 K / 83 CRI / 12.7W / 725L	(blank) 120V
6BP TRMW 6" Baffle LED module, black baffle, matte white flange		27K 90CRI 2700 K / 93 CRI / 11.2W / 600L	
6BPBN 6" Baffle LED module, brushed nickel		30K 90CRI 3000 K / 93 CRI / 11.2W / 600L	
6BPORB 6" Baffle LED module, oil-rubbed bronze		40K 90CRI 4000K / 92CRI / 9.9W / 650L	
6OPA 6" Open LED module, clear diffuse	HL LED	(blank) 3000 K / 83 CRI / 15.2W / 950L	
6OPAZ 6" Open LED module, clear specular		27K 90CRI 2700 K / 93 CRI / 16.5W / 860L	
6OPA TRMW 6" Open LED module, clear diffuse, matte white flange		30K 90CRI 3000 K / 93 CRI / 16.5W / 860L	
6OPAZ TRMW 6" Open LED module, clear specular, matte white flange		40K 90CRI 4000 K / 92CRI / 16.4W / 950L	

Notes

1 Total system delivered lumens.

E Series Baffle Wide Flange LED Modules (Wet Location)



Example: 65BEMW LED 27K L7XLED T24

ORDERING INFORMATION

For shortest lead times, configure products using **bolded options**.

Series/Finish	Lamp	CCT / CRI / W / Lumens ¹	Voltage
65BEMW 5" / 6" Baffle LED module, matte white	LED	27K 2700 K / 82CRI / 11.9W / 640L 30K 3000 K / 82CRI / 11.9W / 687L 40K 4000 K / 82CRI / 11.9W / 711L 27K 90CRI 2700 K / 93CRI / 10.3W / 650L 30K 90CRI 3000 K / 93CRI / 10.1W / 690L 40K 90CRI 4000 K / 93CRI / 10.4W / 770L	(blank) 120V

Notes

1 Total system delivered lumens.



L7XLED-T24

L7XLED T24 New Construction Housing

LED Gimbal Module (Damp location)



Example: 6G1MW LED
L7XLED T24

ORDERING INFORMATION

For shortest lead times, configure products using **bolded options**.

6G1		LED					
Series/Finish		Lamps	CCT / CRI / W / Lumens ²			Voltage	
<u>Series</u>	<u>Finish</u>	LED	(blank)	3000 K / 83CRI / 10.8W / 620L	(blank) 120V		
6G1	6" Gimbal Module		27K 90CRI	2700 K / 91CRI / 11W / 680L			
	MW Matte white		30K 90CRI	3000 K / 91CRI / 10.3W / 790L			
	MB Matte black ¹		40K 90CRI	4000 K / 94CRI / 10.5W / 820L			
	BN Brush nickel ¹						
	ORB Oil-rubbed bronze ¹						

Notes

- 1 Available in 30K 83CRI only.
- 2 Total system delivered lumens.

LED iGimbal Module (Damp location)



Example: 6iGMW LED 30K 90CRI
L7XLED T24

ORDERING INFORMATION

For shortest lead times, configure products using **bolded options**.

6iG		LED					
Series/Finish		Lamps	CCT / CRI / W / Lumens ²			Voltage	
<u>Series</u>	<u>Finish</u>	LED	27K 90CRI	2700 K / 92CRI / 11.9W / 720L	(blank) 120V		
6iG	6" Gimbal module		30K 90CRI	3000 K / 92CRI / 12.2W / 750L			
	MW Matte white		40K 90CRI	4000 K / 95CRI / 11.6W / 770L ³			
	MB Matte black						
	BN Brush nickel ¹						
	ORB Oil-rubbed bronze ¹						

Notes

- 1 Minimum 90-day lead time for non-standard color finishes; minimum 50-piece order quantity.
- 2 Total system delivered lumens.
- 3 Minimum 90-day lead time for 4000 K color temperature; minimum 50-piece order quantity.