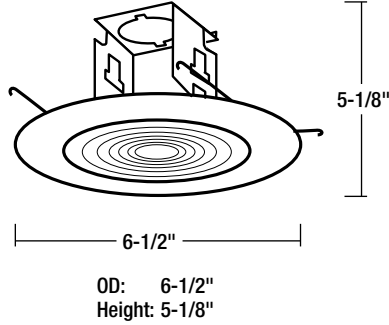


**NT-5023
Fresnel Lens with Metal Trim and Bracket**

DIMENSIONS



FEATURES

Trim
High grade fresnel lens attached to metal trim with a bracket. Bracket includes two socket positions for optimum light control and output.

Mounting
Trim includes two "V" torsion springs to mount trim securely to housing. Replacement "V" torsion springs are available (NRA-86).

Compatible Housings
Compatible with Line Voltage housings.
See individual specification sheets for more information.

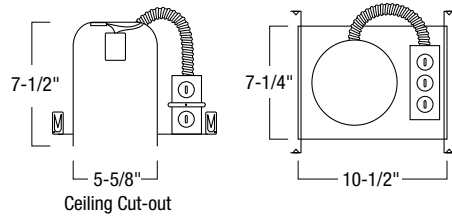
Lamp
Line Voltage
40W A19 Maximum (NHIC-501QAT; NHRIC-504QAT)
60W A19 Maximum (NH-501Q; NHR-504Q)

Labels and Listings
cULus Listed for Wet Location when used with Compatible Housings

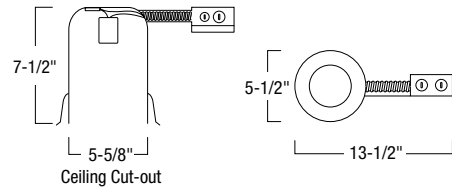
Type
Project
Catalog No.
Lamp/Wattage

HOUSING DIMENSIONS

NH-501Q / NHIC-501QAT



NHR-504Q / NHRIC-504QAT



Fresnel Lens with Metal Trim and Bracket

- NT-5023B: Fresnel Lens with Black Metal Trim and Bracket
- NT-5023BZ: Fresnel Lens with Bronze Metal Trim and Bracket
- NT-5023C: Fresnel Lens with Chrome Metal Trim and Bracket
- NT-5023CO: Fresnel Lens with Copper Metal Trim and Bracket
- NT-5023G: Fresnel Lens with Gold Metal Trim and Bracket
- NT-5023N: Fresnel Lens with Natural Metal Trim and Bracket
- NT-5023W: Fresnel Lens with White Metal Trim and Bracket

Compatible Housings

LINE VOLTAGE			
Item Number	Installation Type	Lamp	Dimensions
NH-501Q	Non-IC New Construction	60W A19	W: 7-1/4" L: 10-1/2" H: 7-1/2"
NHIC-501QAT	IC Air-Tight New Construction	40W A19	W: 7-1/4" L: 10-1/2" H: 7-1/2"
NHR-504Q	Non-IC Remodel Housing	60W A19	W: 5-1/2" L: 13-1/2" H: 7-1/2"
NHRIC-504QAT	IC Air-Tight Remodel Housing	40W A19	W: 5-1/2" L: 13-1/2" H: 7-1/2"