

5362-2PW



UPC Code: 07847770503

Country of Origin: Mexico - *Eligible for
ARRA funded projects > \$7,443,000

NEMA: 5-20R



Straight Blade Wiring Devices

Brand Features

Leviton offers custom imprinting solutions to meet the 2014 National Electrical Code requirements for identifying receptacles that will be automatically de-energized as part of an overall plug load control program. All 15A & 20A, 125V receptacles that are automatically controlled will be marked with a specific symbol.

Item Description

20 Amp, 125 Volt, NEMA 5-20R, 2P, 3W, Industrial Series Extra Heavy Duty Specification Grade, Tamper-Resistant Duplex Receptacle, 2 Plug Controlled Markings, Straight Blade, Self Grounding, Back & Side 8 Hole Feed-Thru Wired, Contractor Pack - WHITE

Technical Information

AC Horsepower Ratings

At Rated Voltage: 1 HP

Electrical Specifications

Amperage: 20 Amp

Voltage: 125 Volt

NEMA: 5-20R

Grounding: Self-Grounding

Pole: 2

Wire: 3

Dielectric Voltage: Withstands 2000V per UL498

Temperature Rise: Max 30C after 250 cycles OL at 200 percent rated current

Environmental Specifications

Flammability: Rated V-2 per UL94

Operating Temperature: -40°C to 75°C

Material Specifications

Face Material: Nylon

Body Material: Nylon

Line Contacts: Triple-Wipe .040" High Performance Brass Alloy

Terminal Clamp: Zinc-Plated Steel

Terminal Screws: Brass 10-32

Grounding Screw: Brass 8-32

Strap Material: Brass .050"

Ground Clips: Brass

Mechanical Specifications

Terminal ID: Brass-Hot, Green-Ground, Silver-Neutral

Terminal Accom.: 14-10 AWG

Wire Type: Solid or Stranded Building Wire

Product ID: Ratings are permanently marked on device

Termination: Back & side wiring, 8 back-wiring holes

Product Features

Color: White

NEMA: 5-20R

Standards and Certifications

NEMA: WD-1 & WD-6

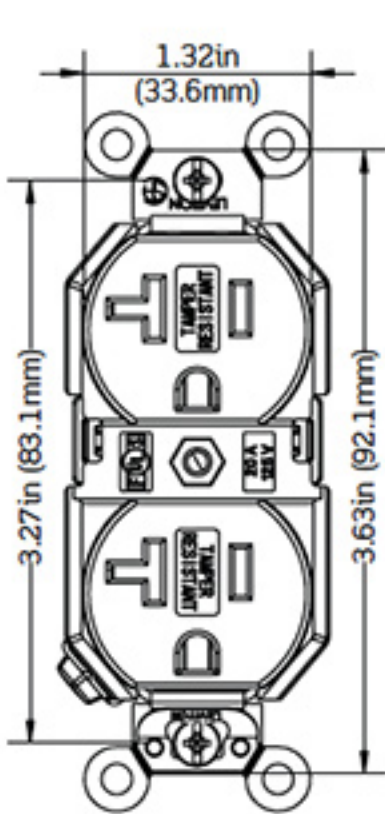
ANSI: C-73

Certification/Listing: UL, CSA, NOM-ANCE

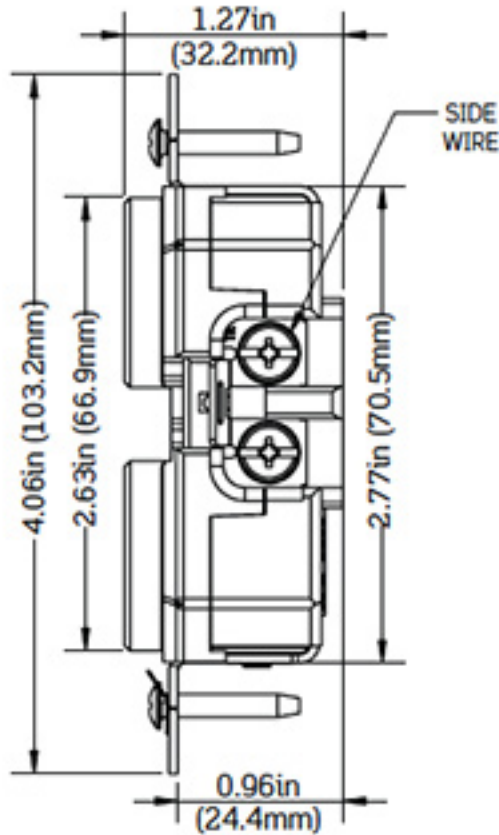
Applicable Standards: UL 498, CSA C22.2 No. 42, FedSpec W-C 596

Warranty

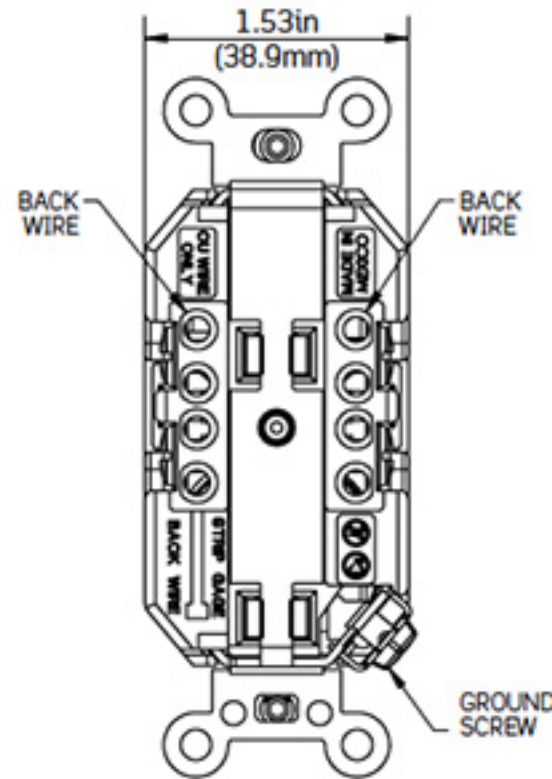
Warranty: 10-Year Limited



Front View



Side View



Back View

SPECIFICATION SUBMITTAL

JOB NAME:		CATALOG NUMBERS:	
<input type="text"/>		<input type="text"/>	
JOB NUMBER:	<input type="text"/>	<input type="text"/>	<input type="text"/>

Leviton Manufacturing Co., Inc.
 201 North Service Road, Melville, NY 11747
 Telephone: 1-800-323-8920 · FAX: 1-800-832-9538 · Tech Line (8:30AM-7:30PM E.S.T. Monday-Friday): 1-800-824-3005

Leviton Manufacturing of Canada, Ltd.
 165 Hymus Boulevard, Pointe Claire, Quebec H9R 1E9 · Telephone: 1-800-469-7890 ·
 FAX: 1-800-824-3005 · www.leviton.com/canada

Leviton S. de R.L. de C.V.
 Lago Tana 43, Mexico DF, Mexico CP 11290 · Tel.: (+52)55-5082-1040 · FAX: (+52)5386-1797 · www.leviton.com.mx

Visit our Website at: www.leviton.com
 © 2012-2015 Leviton Manufacturing Co., Inc. All rights reserved. Subject to change without notice.



Leviton has a global presence.
 If you would like to know where your local Leviton office is located please go to: www.leviton.com/international/contacts/

**Buy American Compliant Logo -- The American Recovery And Reinvestment Act of 2009 ("ARRA") provides federal grants and loans for projects throughout the country. Section 1605 of the Act, named the "Buy American" provision, requires that certain materials and manufactured products used in projects funded by the Act be manufactured in the United States. The appearance of the Recovery Act Logo in relation to a Leviton product is only intended to reflect that such product may be used in an ARRA funded project. It does not mean that such product or Leviton is sponsored or endorsed by, or that Leviton receives funds from, the federal government or the Recovery Accountability and Transparency Board. Nothing in Leviton's use of the logo is intended to suggest anything regarding the requirements for funding under ARRA.*