

CIRCUIT-BREAKER SIZE S0, FOR MOTOR PROTECTION, CLASS 10, A-REL. 1.8...2.5A, N-REL.33A, SCREW TERMINAL, STANDARD SWITCHING CAPACITY



Figure similar

product brandname	SIRIUS
Product designation	circuit breaker
Design of the product	for motor protection

General technical data

Product extension	
• Auxiliary switch	Yes
Power loss [W] total typical	6 W
Surge voltage resistance rated value	6 000 V
Protection class IP	
• on the front	IP20
Mechanical service life (switching cycles)	
• of the main contacts typical	100 000

Ambient conditions

Ambient temperature	
• during operation	-20 ... +60 °C
• during storage	-50 ... +80 °C
• during transport	-50 ... +80 °C

Main circuit	
Number of poles for main current circuit	3
Adjustable pick-up value current of the current-dependent overload release	1.8 ... 2.5 A
Operating voltage <ul style="list-style-type: none"> • rated value • at AC-3 rated value maximum 	690 V 690 V
Operating current <ul style="list-style-type: none"> • at AC-3 <ul style="list-style-type: none"> — at 400 V rated value 	2.5 A
Operating power <ul style="list-style-type: none"> • at AC-3 <ul style="list-style-type: none"> — at 400 V rated value 	0.75 kW
Operating frequency <ul style="list-style-type: none"> • at AC-3 maximum 	15 1/h
Auxiliary circuit	
Number of CO contacts <ul style="list-style-type: none"> • for auxiliary contacts 	0
Protective and monitoring functions	
Trip class	CLASS 10
Maximum short-circuit current breaking capacity (I _{cu}) <ul style="list-style-type: none"> • at AC at 240 V rated value • at AC at 400 V rated value • at AC at 500 V rated value • at AC at 690 V rated value 	100 kA 100 kA 100 kA 8 kA
Short-circuit protection	
Design of the overcurrent release and short-circuit release	thermomagnetic
Installation/ mounting/ dimensions	
Mounting position	any
Mounting type	screw and snap-on mounting onto 35 mm standard mounting rail according to DIN EN 50022
Height	97 mm
Width	45 mm
Depth	96 mm
Required spacing <ul style="list-style-type: none"> • with side-by-side mounting <ul style="list-style-type: none"> — Backwards — at the side 	0 mm 0 mm
Connections/Terminals	

Product function	
<ul style="list-style-type: none"> removable terminal for auxiliary and control circuit 	No
Type of electrical connection	
<ul style="list-style-type: none"> for main current circuit for auxiliary and control current circuit 	screw-type terminals screw-type terminals
Arrangement of electrical connectors for main current circuit	front side
Type of connectable conductor cross-sections	
<ul style="list-style-type: none"> for main contacts <ul style="list-style-type: none"> — solid — stranded — finely stranded with core end processing at AWG conductors for main contacts 	2x (1 ... 2.5 mm ²), 2x (2.5 ... 6 mm ²) 2x (1 ... 2.5 mm ²), 2x (2.5 ... 6 mm ²) 2x (1 ... 2.5 mm ²), 2x (2.5 ... 6 mm ²) 2x (14 ... 10)

Certificates/approvals

General Product Approval			For use in hazardous locations		
					
CCC	CSA	UL		ATEX	IECEX
Declaration of Conformity	Test Certificates	Shipping Approval			
	spezielle Prüfbescheinigung n				
EG-Konf.		ABS	BUREAU VERITAS	GL	LRS
Shipping Approval	other				
	Umweltbestätigung	Bestätigungen	sonstig		
RMRS				VDE	

Further information

Information- and Downloadcenter (Catalogs, Brochures,...)

<http://www.siemens.com/industrial-controls/catalogs>

Industry Mall (Online ordering system)

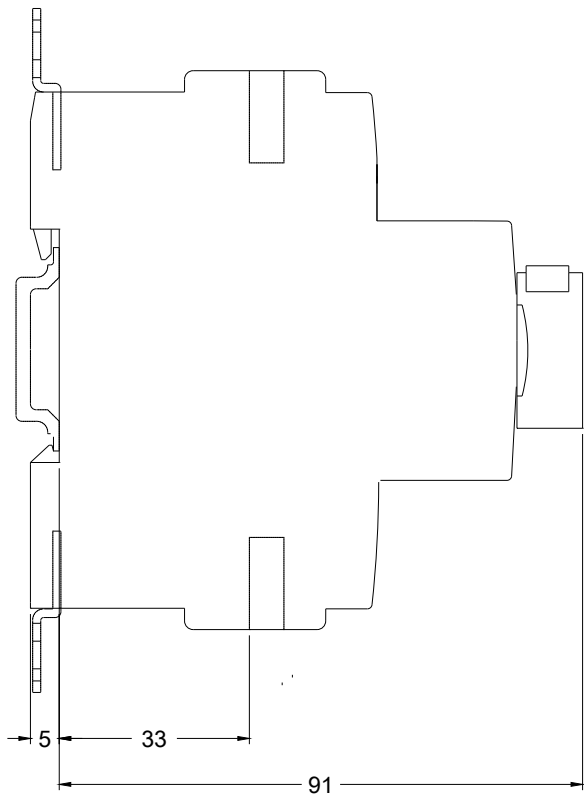
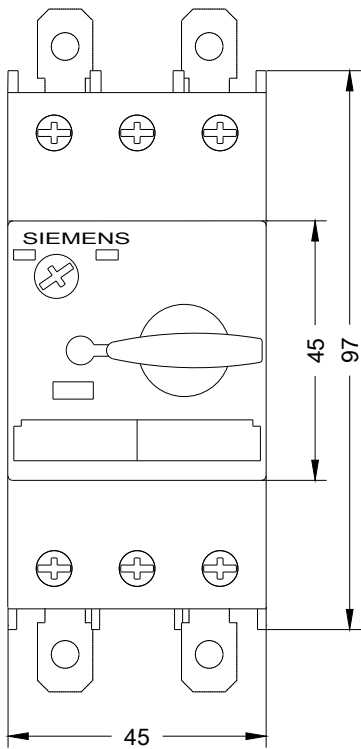
<https://mall.industry.siemens.com/mall/en/en/Catalog/product?mlfb=3RV1021-1CA10>

Cax online generator

<http://support.automation.siemens.com/WW/CAXorder/default.aspx?lang=en&mlfb=3RV1021-1CA10>

Service&Support (Manuals, Certificates, Characteristics, FAQs,...)

<https://support.industry.siemens.com/cs/ww/en/ps/3RV1021-1CA10>





last modified:

03/16/2017