



Device Boxes, Covers & Accessories

T&B Catalog Number:

2CCD

UPC Number:

04226935050

Status:

Active

Description:

Two Gang Weatherproof Receptacle Cover, Silver, Aluminum, 2 Duplex Receptacles, Device Mount



Features

Die Cast construction and industrial design combine to product a rugged protective enclosure for devices.

Clean cover edges provide good gasket sealing.

Precision cast and machined surfaces permit safer wire pulling.

Convenient mounting lugs for a variety of mounting methods and securely fastened mounting plates reduce costly call backs.

Application

Dry-tite boxes and covers protect wiring devices, switches, electronic components, and terminal block in Dry, Damp and Wet Locations.

Accessible wiring chamber provides a convenient location to maintain or change a system, pull conductors and make splices.

General

| | |
|-----------------|-------------------|
| Material | Die Cast Aluminum |
| Finish | Aluminum lacquer |
| Color | Silver |
| Mounting | Device Mount |
| Number of Gangs | Two |

Packaging

| | |
|--------------------|---------------|
| T&B Inner Pack | 1 |
| Package in Units | 10 |
| T&B Sold in UOM | Each |
| T&B Weight Per UOM | 0.5 lbs. Each |

Application Support

| | |
|------------------------------|----------------------|
| US Cutsheet PDF Catalog Link | Available on Website |
|------------------------------|----------------------|

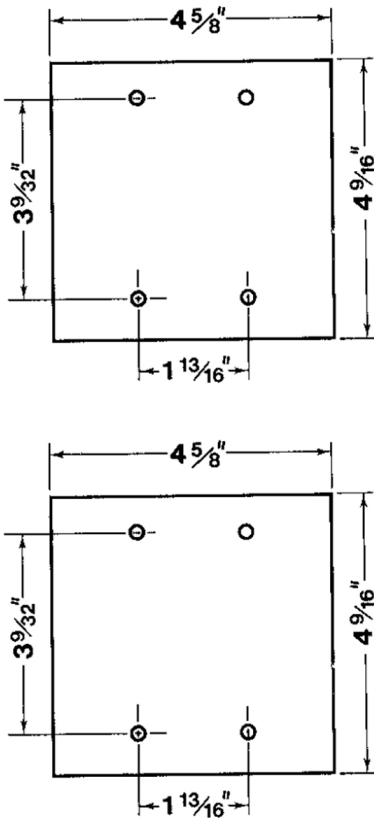
Notes

Rain tight when used with appropriate Red Dot covers.

Certifications



File Nbr:
E 28688



For further technical assistance, please contact us...

Thomas & Betts - USA
8155 T&B Blvd.
Memphis, TN 38125
www.tnb.com

T&B Technical Support
MS 3B-50
8155 T&B Blvd.
Memphis, TN 38125

Hours: 7AM - 6PM CDT
Monday-Friday
Phone: (888) 862-3289
Fax: (901) 252-1321
Email: techsupport@tnb.com