



Device Boxes, Covers & Accessories

T&B Catalog Number:

CCSV
04226935030
Active

UPC Number:

Status:

Description:

Single Gang Weatherproof Receptacle Cover, Silver, Aluminum, 1 Single Receptacle Cover with 1.59 Inch Diameter Opening Vertical, Device Mount

Features

- Die Cast construction and industrial design combine to product a rugged protective enclosure for devices.
- Clean cover edges provide good gasket sealing.
- Precision cast and machined surfaces permit safer wire pulling.
- Convenient mounting lugs for a variety of mounting methods and securely fastened mounting plates reduce costly call backs.

Application

- Dry-tite boxes and covers protect wiring devices, switches, electronic components, and terminal block in Dry, Damp and Wet Locations.
- Accessible wiring chamber provides a convenient location to maintain or change a system, pull conductors and make splices.

General

Material	Die Cast Aluminum
Finish	Aluminum lacquer
Color	Silver
Mounting	Device Mount
Number of Gangs	One

Packaging

T&B Inner Pack	1
Package in Units	25
T&B Sold in UOM	Each
T&B Weight Per UOM	0.24 lbs. Each

Application Support

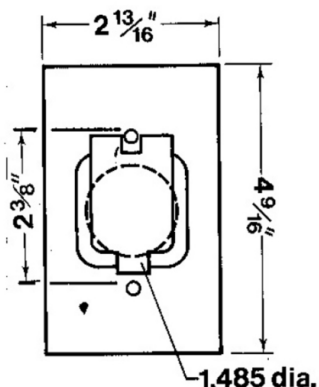
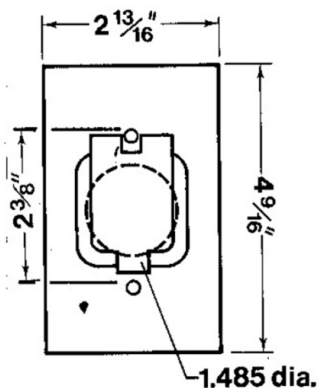
US Cutsheet PDF Catalog Link	Available on Website
------------------------------	----------------------

Notes

Rain tight when used with appropriate Red Dot covers.

Certifications

RoHS Compliance	No
-----------------	----



Certifications



File Nbr:
E 28688

For further technical assistance, please contact us...

Thomas & Betts - USA
8155 T&B Blvd.
Memphis, TN 38125
www.tnb.com

T&B Technical Support
MS 3B-50
8155 T&B Blvd.
Memphis, TN 38125

Hours: 7AM - 6PM CDT
Monday-Friday
Phone: (888) 862-3289
Fax: (901) 252-1321
Email: techsupport@tnb.com