

Straight Blade Devices
 20A, 125V, 2 Pole, 3 Wire Grounding
 Straight and Right Angle Pigtailed Terminal

HUBBELL



Features

- Transparent housing to inspect contacts
- Audible SNAP, indicates solid connection
- Reduces installation time
- Fully insulated design

Ordering Information

Description	Wire Type	UPC	Catalog Number
Right angle, clear terminal with 6-inch leads	Solid	783585251981	SNAP1RA

Listings

UL Listed to UL498 File No. E2186
 Certified to CSA, C22.2, No. 42 File 285
 Fed. Spec. W-C-596

Specifications

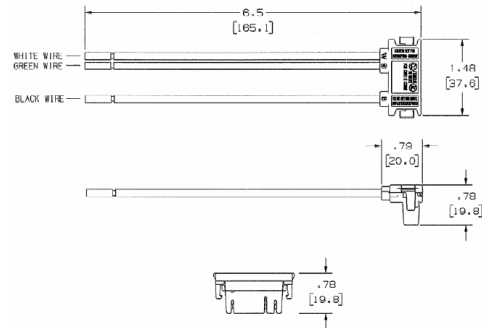
Contact	Brass
Terminal Body	PBT
Wire	#12 AWG, T90 Nylon FT-1, PVC 90°C (min)

Performance

Electrical	
Current Interrupting	Receptacle certified for current interrupting at full rated current
Dielectric Voltage	Withstands 2,000V minimum

Mechanical	
Terminal Identification	Terminal Wire Leads- Identified in accordance with UL 498

Environmental	
Flammability	UL 94V-2
Operating Temperatures	Maximum continuous 75°C; minimum -40°C (w/o impact)



Accessories

Mating Receptacle	Hubbell SNAPConnect® Receptacle
-------------------	---------------------------------

Resources

[eCatalog](#)

Dimensions in Inches (mm)

Hubbell Wiring Device-Kellems • Hubbell Incorporated (Delaware) • 40 Waterview Drive • Shelton, CT 06484

Phone (800) 288-6000 • Fax (800) 255-1031 • Specifications subject to change without notice.

