

Carlon®

Liquidtight Flexible Non-Metallic Conduit & Fittings T&B Catalog Number:



LT20D-NEW

UPC Number:

03448108789

Status:

Active

Description:

1/2 Inch, 90 Degree, Two-Piece Liquidtight Non-Metallic Fitting, UL E32447, Temperatures up to 107 Degrees C, Nitril Rubber O-Ring, PVC, Grey

Features

- Non-conductive and non-corrosive.
- Resistant to oil, acid, ozone and alkaline.
- Easy to install.
- Approved for indoor and outdoor locations
- UL listed for wet locations
- Nitrile rubber 'O' ring for a liquidtight termination.
- Temperatures up to 225 degree F (107 degree C)
- Meets UL standard 514B.

Application

For use with Carflex conduit and Carflex X-Flex conduit.

General

Trade Size (inches)	1/2
Material	Non-Metallic

Dimension Information

Size (inches)	1/2
Degree of Bend	90
A (inches)	0.56
B (inches)	1.76
C (inches)	2.05
D (inches)	1.62
E (inches)	1.4
F (inches)	1.3
G (inches)	1.15

Packaging

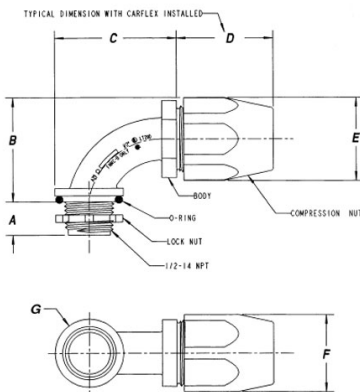
T&B Order Multiple	50
Package in Units	50
T&B Sold in UOM	Each
T&B Weight Per UOM	9 lbs. per 100

Application Support

T&B Sales Drawings	wsd-ac01708
Product Overview-Carflex Liquidtight Flex-Available on Website	
ible Tubing	

Certifications

RoHS Compliance	Yes
-----------------	-----



Certifications



File Nbr:
E 23018

For further technical assistance, please contact us...

Thomas & Betts - USA
8155 T&B Blvd.
Memphis, TN 38125
www.tnb.com

T&B Technical Support
MS 3B-50
8155 T&B Blvd.
Memphis, TN 38125

Hours: 7AM - 6PM CDT
Monday-Friday
Phone: (888) 862-3289
Fax: (901) 252-1321
Email: techsupport@tnb.com