

13357

Lampholders

Item Description

660W-600V, Medium Base, Bi-Pin, Linear Fluorescent Lampholder, Tall Profile, Slide-On, Turn-Type, Quick-Connect 18AWG Solid or Str. Tinned - White



UPC Code: 07847785124

Country of Origin: Please Contact Customer Service

Technical Information

Electrical Specifications

Voltage: 600 Volt
Rated Wattage: 660W

Material Specifications

Body Material: Thermoset
Contact Material: Copper-Alloy
Color: White
Availability: Distribution

Mechanical Specifications

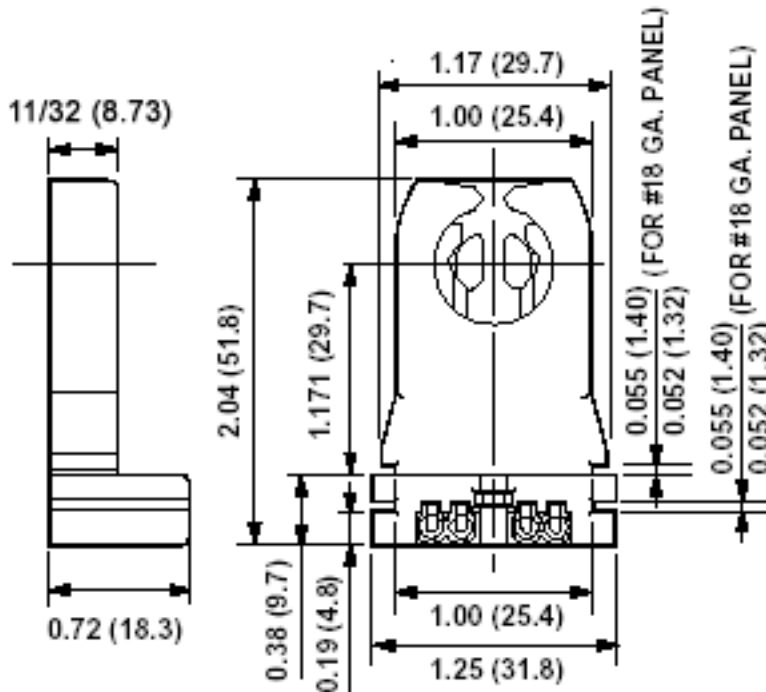
Mounting Type: Slide-On
Panel Thickness: 18-20 Ga. Panel
Contact Type: Turn-Type
Termination: Quick-Connect 18AWG Solid or Str. Tinned
Wire Strip Length: 3/8 Inch

Product Features

Lamp Base: Medium
Lamp Contacts: Bi-Pin
Style Name: Tall Profile
Mounting Type: Slide-On
Panel Thickness: 18-20 Ga. Panel
Contact Type: Turn-Type
Termination: Quick-Connect 18AWG Solid or Str. Tinned
Rated Wattage: 660W
Color: White
Standards and Certifications: UL/CSA/NOM
Warranty: 1 Year Limited
Availability: Distribution

Standards and Certifications

UL Listed: File E5833
CSA Certified: File LR-5863
NOM Certified: 057



SPECIFICATION SUBMITTAL

JOB NAME: <input type="text"/>	CATALOG NUMBERS: <input type="text"/>	
JOB NUMBER: <input type="text"/>	<input type="text"/>	<input type="text"/>

Leviton Manufacturing Co., Inc.
201 North Service Road, Melville, NY 11747
Telephone: 1-800-323-8920 · FAX: 1-800-832-9538 · Tech Line (8:30AM-7:30PM E.S.T. Monday-Friday): 1-800-824-3005

Leviton Manufacturing of Canada, Ltd.
165 Hymus Boulevard, Pointe Claire, Quebec H9R 1E9 · Telephone: 1-800-469-7890 ·
FAX: 1-800-824-3005 · www.leviton.com/canada

Leviton S. de R.L. de C.V.
Lago Tana 43, Mexico DF, Mexico CP 11290 · Tel.: (+52)55-5082-1040 · FAX: (+52)5386-1797 · www.leviton.com.mx

Visit our Website at: www.leviton.com
© 2012-2017 Leviton Manufacturing Co., Inc. All rights reserved. Subject to change without notice.

Leviton has a global presence.
If you would like to know where your local Leviton office is located please go to: www.leviton.com/international/contacts/

