

SKEET® XL INSTALLATION INSTRUCTIONS



Thank you for buying RAB lighting fixtures. Our goal is to design the best quality products to get the job done right. We'd like to hear your comments. Call the Marketing Department at 888-RAB-1000 or email: marketing@rabweb.com



SKEET XL with Basic Lens



SKEET XL - Basic Lens with Decorative Ring

IMPORTANT

READ CAREFULLY BEFORE INSTALLING FIXTURE. RETAIN THESE INSTRUCTIONS FOR FUTURE REFERENCE.

Fixtures must be wired in accordance with the National Electrical Code and all applicable local codes. Proper grounding is required for safety. THIS PRODUCT MUST BE INSTALLED IN ACCORDANCE WITH THE APPLICABLE INSTALLATION CODE BY A PERSON FAMILIAR WITH THE CONSTRUCTION AND OPERATION OF THE PRODUCT AND THE HAZARDS INVOLVED.

WARNING: Make certain power is OFF before installing or maintaining fixture. No user serviceable parts inside.

CEILING/WALL MOUNTING

The fixture is suitable only for INDOOR application for damp locations with recessed junction box in ceiling/ wall.

Mount to a recessed 4" octagonal junction box as follows:

1. Mount **Mounting Bracket** to **Junction Box** (not supplied with **(2) 3/4" Bracket Screws** provided).
2. Pull supply wires from **Junction Box** (not supplied) as shown in figure. Use appropriate wire connectors as required by code to make electrical splices to fixture leads.
3. Once connections are made push all wires back into **Junction Box** (not supplied). Be careful not to pinch wires.
WARNING: To prevent wiring damage or abrasion, do not expose wiring to edges of sharp objects.
4. Mount **Housing** to **Mounting Bracket** using **Key Holes** with **(2) 1" Housing Screws** provided.
5. Align **Lens Slot** with **(3) Housing Studs** and rotate **Lens** clockwise on **Housing** to lock in place.

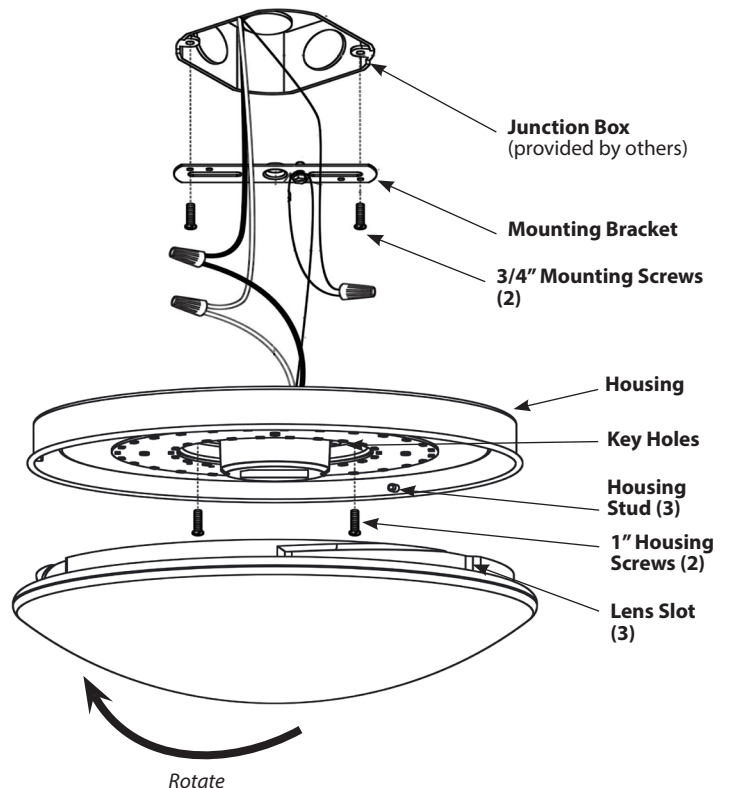


Fig. 1

SKEET® XL INSTALLATION INSTRUCTIONS

Thank you for buying RAB lighting fixtures. Our goal is to design the best quality products to get the job done right. We'd like to hear your comments. Call the Marketing Department at 888-RAB-1000 or email: marketing@rabweb.com

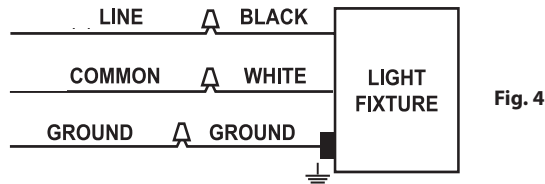
WIRING

Warning - RISK OF FIRE.

Fixture operates at 120V AC 60Hz. For Triac Dimming follow the wiring directions in fig. 4

Note: Suffix /OS is a non-dimming fixture.

1. Connect the black fixture lead to the LINE supply lead.
2. Connect the white fixture lead to the COMMON supply lead.
3. Connect the bare copper Ground wire from fixture to mounting bracket screw and to supply ground.



CLEANING & MAINTENANCE

CAUTION: Be sure fixture temperature is cool enough to touch. Do not clean or maintain while fixture is energized.

1. Lens should be washed in a solution of warm water and any mild, non abrasive household detergent, rinsed with clean water and wiped dry.
2. Do not open fixture to clean the LED. Do not touch the LED.

SENSOR TROUBLESHOOTING

If the sensor does not detect motion as expected:

- Check fixture mounting to compare fixture location and sensor coverage with the coverage diagrams
- Adjust fixture location as necessary

Fixture will not light/sensor does not detect motion:

- Ensure that sensor is free from obstructions, especially metal
- Check if detection objects are in sensor detection range
- Check mounting height is within the range specified

Fixture and sensor are too active:

- Check detection area setting and reduce coverage as needed
- Increase time delay

FIXTURE TROUBLESHOOTING

1. Check that the line voltage at fixture is correct. Refer to wiring directions.
2. Be sure the fixture is grounded properly.

Note: These instructions do not cover all details or variations in equipment nor do they provide for every possible situation during installation operation or maintenance.