

INSTALLATION INSTRUCTION



HR-2LED-R14D

WAC LIGHTING

Responsible Lighting®



IMPORTANT: NEVER attempt any work without shutting off the electricity.

- Read all instructions before installing.
- System is intended for installation by a qualified electrician in accordance with the National Electrical Code and local regulations.
- Go to the main fuse box, or circuit breaker. Place the main power switch in the "OFF" position and unscrew the fuse(s) or switch "OFF" the circuit breaker switch(es) that control the power to the fixture or room that you are working on.
- Place the wall switch in the "OFF" position.



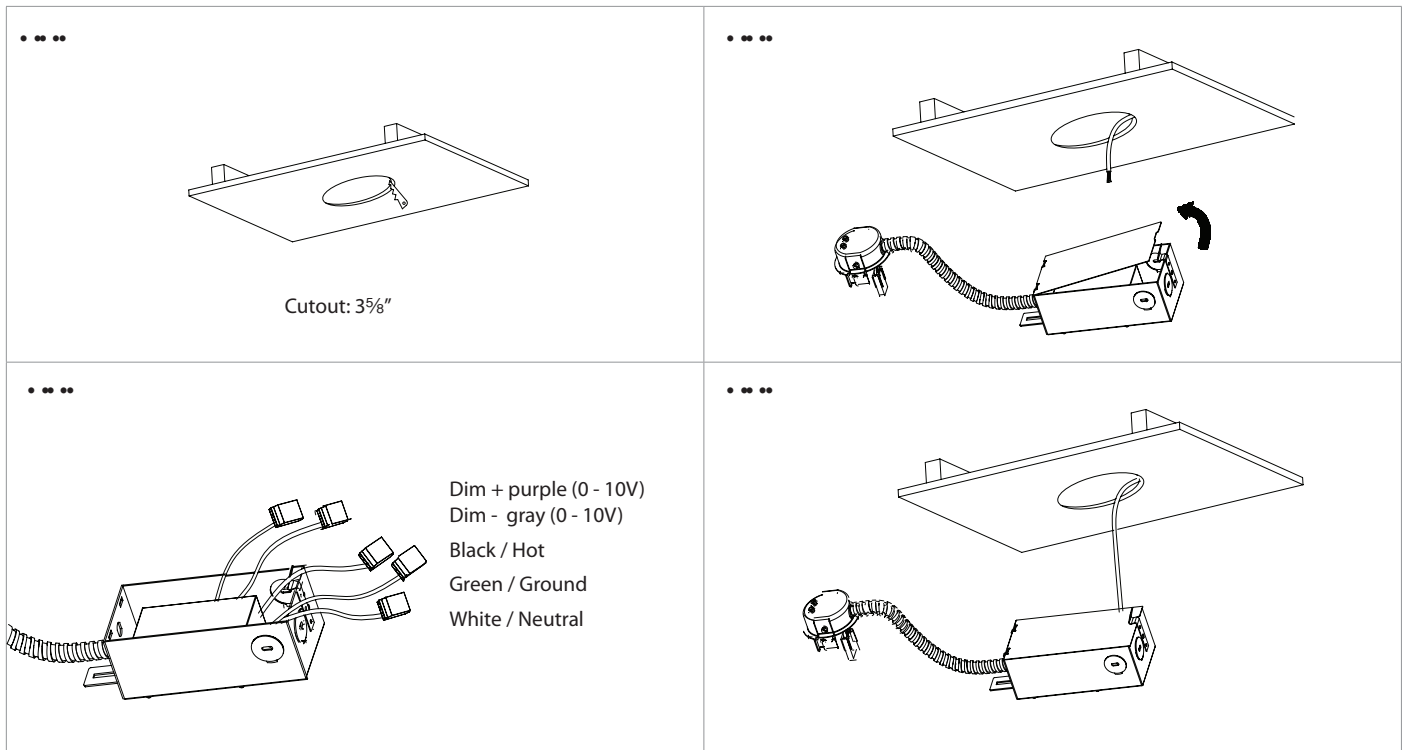
- IMPORTANT : Coupez l'électricité avant TOUTE manipulation.
- Lisez toutes les instructions avant d'installer.
- Système est destiné à être installé par un électricien qualifié en conformité avec le code national de l'électricité et les règlements locaux.
- Accédez au panneau central de disjoncteurs ou de fusibles de votre demeure et placez l'interrupteur principal en position d'arrêt (« OFF »).
- Placez l'interrupteur mural en position d'arrêt (« OFF »).



Housing is remodel, NON-IC type. Housing requires a trim for finished look. Check catalog for various trim choices.



1. Cut out a hole 3 $\frac{5}{8}$ " in the existing ceiling (• • • •). Note: $\frac{1}{2}$ " maximum ceiling thickness
2. Pull ceiling wire through the hole (• • • •).
3. Remove fixture junction box door and connect fixture wires to building wires: insert each supply wire into appropriate junction box connector. This fixture features electronic low voltage (ELV) or 0-10V dimming capabilities. To utilize ELV, wire black (line hot) and white (line neutral) in accordance to dimmer specifications. To utilize 0-10V dimming, wire purple (dim+), gray (dim-), black (line hot), white (line neutral) in accordance to dimmer specifications. Green fixture wire to ground (• • • •).
4. Place all wiring and connectors back in wiring box and replace junction box door (• • • •).



INSTALLATION INSTRUCTION



HR-2LED-R14D

WAC LIGHTING

Responsible Lighting®

5. Guide fixture box up through ceiling hole (• • • •).
6. Bring housing connector cap below the ceiling. Fold the thermal protector tab. (• • • •).
7. Attach power connector between trim and housing connector cap. (• • • •).
8. Attach power connectors to the thermal protector. (• • • •).
9. Snap connector cap into trim heat sink. (• • • •)
10. Depress trim spring clips and push the trim assembly up until the trim is flush with ceiling. (• • • • •)

