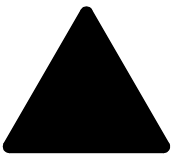
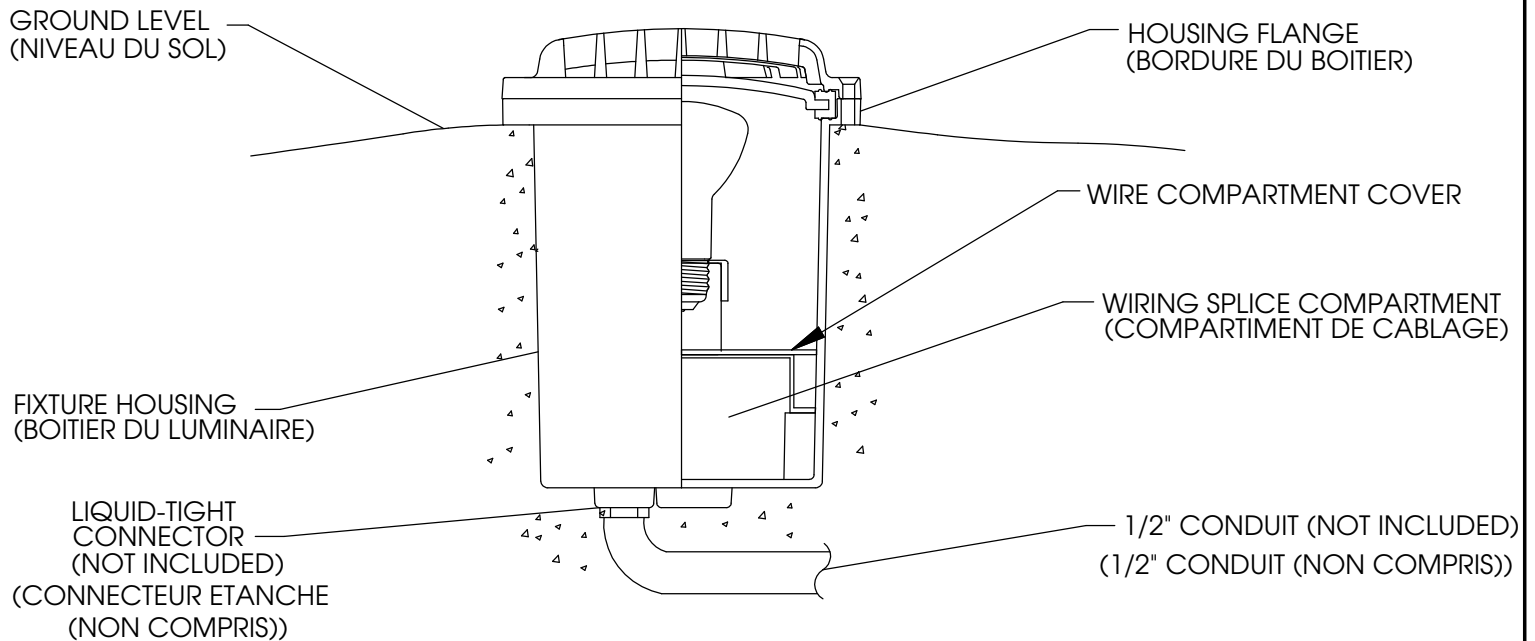


# PHILIPS

100 Craftway, P.O. Box 128  
Littlestown, Pennsylvania 17340-0128  
Phone: 800-331-4185 Fax: 717-359-9672

## INSTALLATION INSTRUCTIONS: INGROUND UPLIGHTS



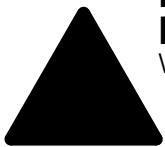
This fixture is intended for installation in accordance with the National Electrical Code and local code specifications. Failure to adhere to these codes and instructions may result in serious injury and/or damage to the ballast and void the warranty. These instructions do not purport to cover all details or variations in equipment, nor to provide for every possible contingency related to installation, operation, maintenance, or mounting situation. Should specific problems occur that are not addressed by these instructions, contact your Sales Representative or distributor for assistance. Retain these instructions for future reference.



### SAFETY WARNING:

**ALWAYS TURN FIXTURE OFF/DISCONNECT POWER AND ALLOW TO COOL BEFORE PERFORMING ANY MAINTENANCE, INCLUDING RELAMPING AND CLEANING!**

This fixture can become very HOT! The fixture housing and lens, especially if it is glass, can become hot enough to blister hands. Attention should be paid to where the fixture is mounted, particularly if it can be touched by children or pets. To help prevent premature failure, decreased performance, overheating and risk of fire, keep fixture and lens clean and free of leaves, mulch, debris and mineral deposits from water. The fixture and lens can be cleaned using a soft cloth and a solution of mild liquid soap and warm water. Wipe clean and dry with a soft, lint-free dry cloth. Avoid polishing fixture or lens.



### INSTRUCTIONS PERTAINING TO A RISK OF FIRE OR INJURY TO PERSONS IMPORTANT SAFETY INSTRUCTIONS - SAVE THESE INSTRUCTIONS!

WARNING - Lamp gets HOT quickly! To reduce the risk of FIRE OR INJURY TO PERSONS:

Do not operate fixture with a missing or damaged lens/lens assembly.

Contact only switch or plug when turning fixture on or off. Do NOT touch hot lens or housing.

Turn off or unplug fixture and allow to cool before relamping. Keep lamp away from combustibles.

Do NOT touch lamp with bare hands at any time, use a soft cloth as oil from skin may damage lamp.

## INSTALLATION:

Excavate soil for fixture placement and conduit runs. Contour the hole to the shape of the housing, allowing an additional 3" min. around and under the fixture housing for placement of granular material. Remove the eight screws from the lens retainer. Remove the lens retainer and lens/gasket assembly. Remove the two screws holding the wire compartment cover.

Connect conduit fittings to the housing conduit entries using a thread sealant. Tighten to 45 ft-lbs max. using a torque wrench. Improper torque procedure may cause damage to the housing and void the warranty. Connect 120V fixture leads to supply wires, including the ground wire.

To prevent water entry into the fixture, Conduit entries inside the fixture must be sealed and potted. Use #4442A 3M High Gel Reenterable Encapsulant (#MA1) or equivalent. Failure to do so will void warranty. Replace wiring splice compartment cover.

Install the specified lamp. DO NOT exceed the maximum wattage marked on the fixture label.

Note: To help decrease condensation, energize fixture for 20 minutes prior to installing and tightening main lens and retainer ring.

All gasket seating surfaces must be clean and free of debris before attempting to replace the lens retainer. If debris in the screw holes prevents proper seating of the gasket, holes must be blown clear or cleared with a #10-24 tap. Replace lens/gasket assembly and lens retainer. Insert screws through retainer and into housing, and tighten using an alternating torque sequence of 20-30 inch-lbs.

When backfilling, housing flange should be just above ground level as shown in the figure above. Fixture housing should be surrounded by a 3" min. layer of sand or gravel to insure proper drainage. For concrete pour installation, or any installation where the fixture is to be mounted flush with ground level, HADCO recommends using the CP2 Concrete Pour Mounting Kit. In addition, for concrete installation, the housing is to be placed on a 4" min. bed of gravel with soil below. It is recommended that fixtures not be placed in low locations where water could accumulate and stand for long periods of time. Hilling up earth around the fixture will promote good water run-off and prevent debris accumulation.

## CAUTION:

Fixtures must not be installed in insulating materials such as vermiculite, bark, etc. for the full depth of the fixture. Installation in these materials may cause the fixture to overheat and void the warranty. Surface use of these materials is acceptable.

Regularly check lens and keep it cleared of any debris (mulch, leaves, etc.) as this could cause a fire.

