



## Walker® Infloor Systems

# FIT Fire-Rated Poke-Thru Series

## INSTALLATION INSTRUCTIONS

Walker® electrical systems conform to and should be properly grounded in compliance with requirements of the current National Electrical Code or codes administered by local authorities.

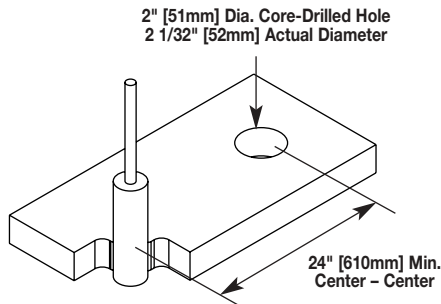
All electrical products may present a possible shock or fire hazard if improperly installed or used. Walker electrical products may bear the mark as UL Listed and/or Classified and should be installed in conformance with current local and/or the National Electrical Code.

### **IMPORTANT – PLEASE READ ALL INSTRUCTIONS BEFORE BEGINNING.**

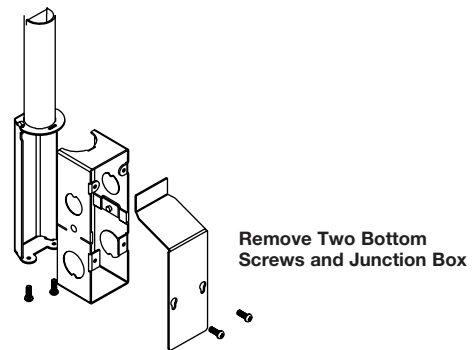
**Products Covered:** FIT, 200-H/BTC, 241-H/BTC Style Service Heads, FP, and FIFP Style Faceplates.

#### **Step 1.** Core drill hole.

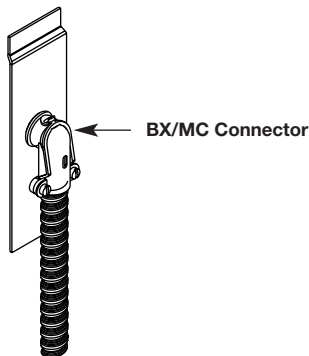
**CAUTION:** Holes shall be spaced a minimum of 2' [610mm] on center and not more than one hole per each 65 sq. ft. [6 sq. m] of floor area in each span.



#### **Step 2.** Remove junction box.

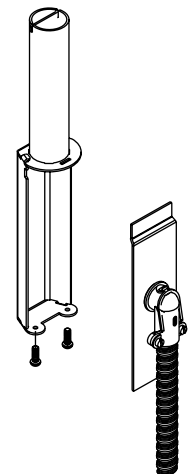


**Step 3.** BX/MC Connector (if applicable).  
Connect the BX/MC Connector being applied to your application to the BX/MC Connector Plate.



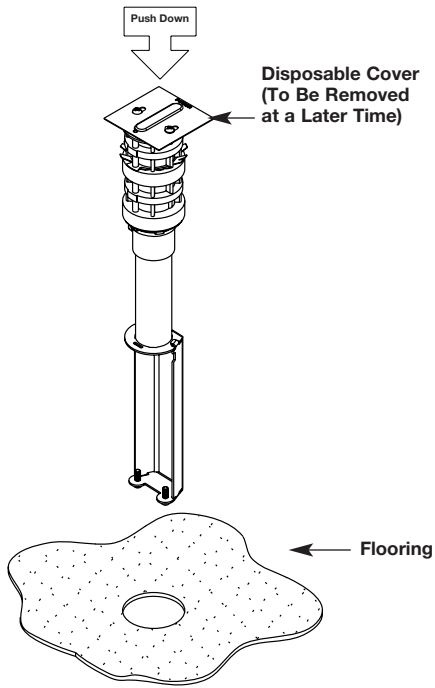
**NOTE:** Fitting is supplied with a junction box bracket, a BX/MC Connector Plate, and a junction box sleeve. The above instructions are for use if prewiring the fitting.

**Step 4.** Prewire fitting (if applicable).  
Install the connector plate using the orientation as shown. Be sure to slide into slots located at top of junction box.



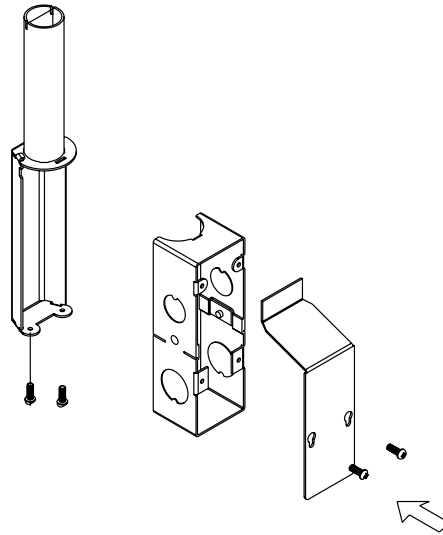
**NOTE:** Fitting is supplied with a junction box bracket, a BX/MC Connector Plate, and a junction box sleeve. The above instructions are for use if prewiring the fitting.

**Step 5. Orientation of receptacle shell.**



**IMPORTANT:** Orientation of receptacle shell critical during initial alignment. Make sure to orient the power side of poke-thru device facing wires to be installed. Poke-thru device cannot be rotated after insertion into hole.

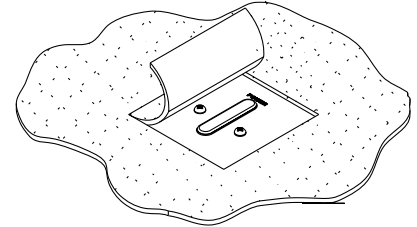
**Step 6. Conduit connection.**



After installation, place the sleeve into the two tabs and rotate down. Replace screws to tighten sleeve.

**Step 7. Cut carpet to allow for service fitting.**

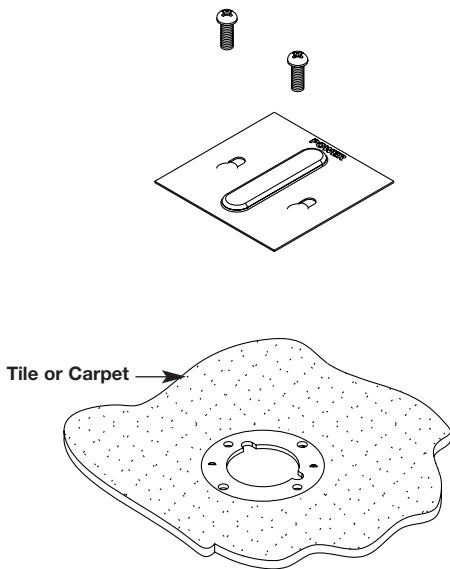
Use template on last page to cut carpet for stem installation.



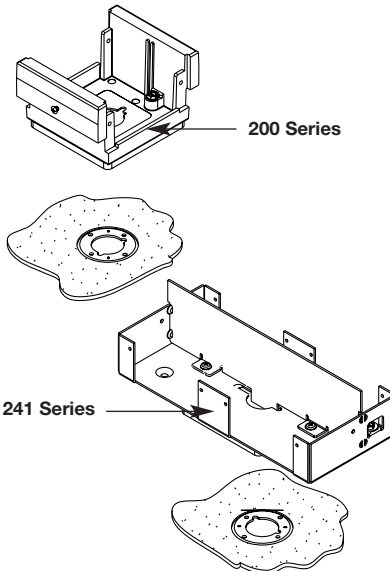
**Tile Applications:** Using a 2" [51mm] diameter hole saw, drill an opening concentric with the hole previously drilled into the tile.

**Installing Service Heads and Faceplates:**

**Step 1. Remove screws and disposable cover.**



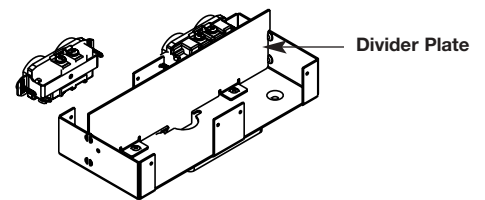
**Step 2. Connect base to poke-thru device.**



Attach base to poke-thru stem as shown. Make sure gasket seats to floor when tightening.

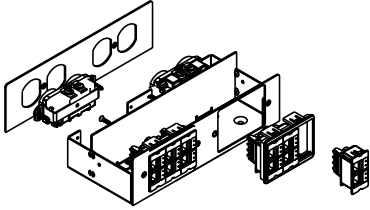
**Bases sold separately.**

**Step 3. Connect communications inserts and outlets.**



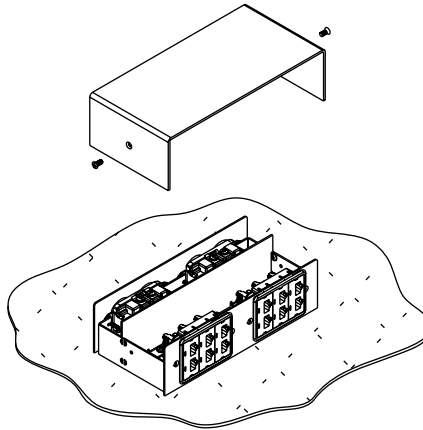
**NOTE:** If base contains either all power or all communications, the divider plate may be removed. Otherwise, the divider must remain in place.

**Step 4.** Install outlet covers and rear cover.

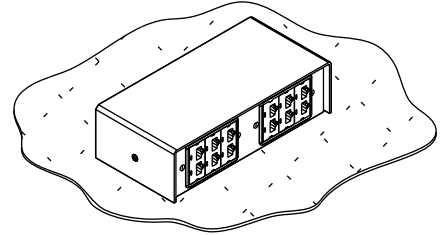


**NOTE:** If communication is required connect necessary wires to communication jacks and snap into opening provided in faceplate.

**Step 5.** Attach cover plate using the screw provided.

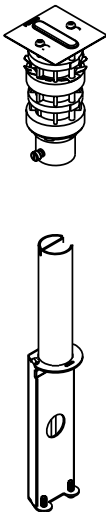


**Step 7.** Finished product.

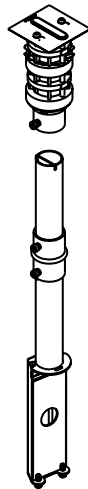


## Installing FIT-EXT to Standard FIT Stem

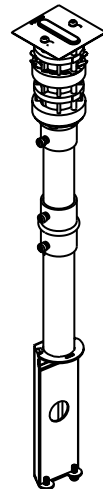
**Step 1.** Loosen connector and slide conduit pipe out.



**Step 2.** Line up extension and slide onto conduit pipe tightening the screw once in place.



**Step 3.** Slide conduit pipe into upper part of stem and installation is complete.



**NOTE:** Make sure to line up divider in conduit while tightening screws.

**The FIT Series Poke-Thru Device is UL Listed and Classified to U.S. and Canadian safety standards to the following conditions:**

The FIT Poke-Thru Stem with the 200 Series Service Head, the 221-21CARPET, 221-21TILE, or AP-FITTC Abandonment Fitting are for use with 1-, 1 1/2-, 2-, 3-, or 4-hour rated unprotected, reinforced concrete floors and 1-, 1 1/2-, 2-, or 3-hour rated floors employing unprotected steel floor units and concrete topping (D900 Series Designs), or concrete floors with suspended ceilings. (Fire resistive designs with suspended ceilings should have provisions for accessibility in the ceiling area below the poke-thru fittings).

The FIT Poke-Thru Stem with the 241 Series Double Service Head, the 221-21CARPET, 221-21TILE, or AP-FITTC Abandonment Fitting are for use with 1-, 1 1/2-, or 2-hour rated unprotected, reinforced concrete floors and 1-, 1 1/2-, or 2-hour rated floors employing unprotected steel floor units and concrete topping (D900 Series Designs), or concrete floors with suspended ceilings. (Fire resistive designs with suspended ceilings should have provisions for accessibility in the ceiling area below the poke-thru fittings).

The assembled poke-thru stem and the single or double service heads or the abandonment fittings will not reduce the ratings of the floor assembly when the thickness and type of concrete (required for the specific rating) are within the specified limits and the fittings are installed as specified:

1. **Spacing** – Minimum of 2' [610mm] OC and not more than one unit per 65 sq. ft. [6 sq. m] of floor area in each span.
2. **Concrete** – Minimum thickness of structural concrete topping of 2 1/4" [57mm] over metal deck or a minimum 3" [76mm] thick reinforced concrete slab. Unit weight of concrete to be 110 to 155 pcf.
3. **Installation** – Mounted in a 2" [51mm] diameter core-drilled hole in concrete per installation instructions accompanying the fittings or abandonment fittings. For use with power circuits, data and/or maximum 50-pair size telephone cables as tabulated below:

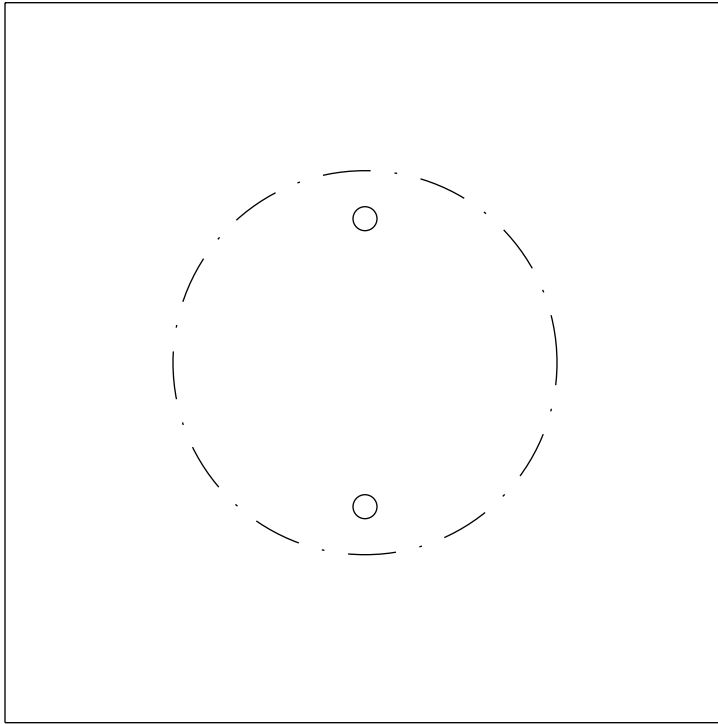
POKE-THRU FITTING TYPE	SERVICE FITTING TYPE (C)	POWER CONDUCTORS (A)	COMMUNICATION CONDUCTORS (B)
FIT	200-H/BTC (pwr/communication)	3 (.01536 sq in.) [9.9103mm <sup>2</sup> ]	100 (.05000 sq. in.) [32.260mm <sup>2</sup> ]
	200-H/BTC (pwr/communication)	(D) 7 (.03584 sq in.) [23.124mm <sup>2</sup> ]	60 (.03000 sq. in.) [19.356mm <sup>2</sup> ]
	200-H/BTC (pwr only)	(D) 13 (.06656 sq in.) [42.946mm <sup>2</sup> ]	–
	200-H/BTC (communication only)	–	130 (.06500 sq. in.) [41.938mm <sup>2</sup> ]
	200-RTRTC (pwr/communication)	5 (.02560 sq in.) [16.517mm <sup>2</sup> ]	80 (.04000 sq. in.) [25.808mm <sup>2</sup> ]
	241-H/BTC (pwr/communication)	7 (.03584 sq in.) [23.124mm <sup>2</sup> ]	100 (.05000 sq. in.) [32.260mm <sup>2</sup> ]
	241-H/BTC (pwr only)	12 (.06144 sq in.) [39.641mm <sup>2</sup> ]	–
	241-H/BTC (communication only)	–	170 (.08500 sq. in.) [54.842mm <sup>2</sup> ]
	241-2RT/2RTC (pwr/communication)	170 (.03584 sq in.) [23.124mm <sup>2</sup> ]	100 (.05000 sq. in.) [32.260mm <sup>2</sup> ]

- (A) Maximum number of No. 12 AWG Type THHN conductors in power compartment of poke-thru fitting.
- (B) Maximum number of 22 AWG conductors in low voltage compartment of poke-thru fitting (4-pair cables have (8) conductors, 25-pair cables have (50) conductors) When conductors larger than No. 22 AWG are used, the aggregate cross-sectional area of the copper conductors shall not exceed the aggregate cross-sectional area of the 22 AWG conductors permitted in the low voltage compartment.
- (C) 1/2", 3/4", and 1" [12.7mm, 19.1mm, and 25mm] flexible metallic conduit and fittings may be used with the 200 or 241 Series Service Head.
- (D) Maximum number of power conductors when flexible metallic conduit is used. Maximum number of communication conductors to be adjusted accordingly.

Copper Cross Sectional Area of Commonly Used Conductors	
Size	Solid
#24	.00032 sq. in. [.20645mm <sup>2</sup> ]
#22	.00050 sq. in. [.32258mm <sup>2</sup> ]
#14	.00323 sq. in. [2.08386mm <sup>2</sup> ]
#12	.00512 sq. in. [3.30321mm <sup>2</sup> ]
#10	.00815 sq. in. [5.25805mm <sup>2</sup> ]
# 8	.01296 sq. in. [8.36127mm <sup>2</sup> ]

**NOTE:** Use above values for solid or stranded conductors.

**Carpet Cutout for FIT Stem**





**The Wiremold Company**

*U.S. and International:*

60 Woodlawn Street • West Hartford, CT 06110

1-800-621-0049 • FAX 860-232-2062 • Outside U.S.: 860-233-6251

*Canada:*

850 Gartshore Street • Fergus, Ontario N1M 2W8

1-800-741-7957 • FAX 519-843-5980

