

INSTALLATION INSTRUCTIONS FOR GABLE MOUNTED VENTILATORS

Models: VX2500, CX2500, VX2516, CX1600, VX2515, CX1500

Read all warnings and instructions before beginning to install this fan.

FAILURE TO FOLLOW THESE INSTRUCTIONS COULD RESULT IN INJURY OR EVEN DEATH

1. Do not attempt to use this fan with any solid-state speed control device.
2. Use this unit only in the manner intended by the manufacturer. If you have any questions, contact the manufacturer.
3. Before servicing or cleaning this unit, switch power off at the service panel and lock out to prevent power from being switched on accidentally. When service disconnecting means cannot be locked, securely fasten a prominent warning tag to the service panel.
4. Installation work and electrical wiring must be performed by a qualified person in accordance with all applicable codes and standards, including fire-rated construction.
5. When cutting or drilling into a wall or ceiling, do not damage electrical wiring and other hidden utilities.
6. The combustion airflow needed for safe operation of fuel-burning equipment may be affected by this unit's operation. Follow the heating equipment manufacturer's guideline and safety standards such as those published by the National Fire and Protection Association (NFPA), and the American Society for Heating, Refrigeration and Air-conditioning Engineers (ASHRAE), and the local code authorities.

CAUTION

1. **This unit has an unguarded propeller. Do not use in locations readily accessible to people or animals.**
2. **Mount with the lowest moving parts at least 8 feet above floor level.**
3. **For general ventilating use only. Do not use to exhaust hazardous or explosive materials and vapors.**
4. **Carbon monoxide is an odorless, colorless gas that can kill. It may be drawn into the house by operating this fan if your fuel-burning equipment is not properly maintained, or if you lack adequate attic intake vents.**



VENTAMATIC, LTD.
100 WASHINGTON STREET, MINERAL WELLS, TX 76068-0728
PHONE: (800) 433-1626 - FAX: (940) 325-9311 - www.bvc.com

Ventamatic[®]

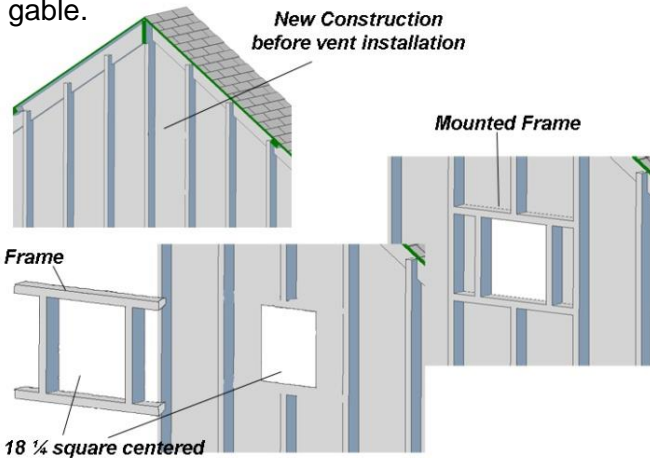
INSTALLATION INSTRUCTIONS

THIS GABLE-MOUNTED UNIT IS DESIGNED FOR ATTICS OF AVERAGE SIZE AND OPERATES MOST EFFICIENTLY WHEN AIR INTAKES ARE LOCATED AROUND THE EAVES. ALTERNATIVELY, AIR INTAKE MAY BE FROM OPPOSING GABLE VENTS, BUT NEVER FROM ROOF OR RIDGE VENTS. AT LEAST 600 SQ. IN OF NET FREE AIR INTAKE IS REQUIRED PER UNIT FOR SAFE AND EFFICIENT OPERATION. THE MOTOR OPERATES ON 120 V, 60 HZ, A.C. CURRENT. SEE MOTOR LABEL FOR AMPERAGE.

THIS UNIT MAY BE MOUNTED BEHIND ANY STATIC WALL VENT, OR MODELS VX1818 OR CX2121 AUTOMATIC SHUTTERS.

Step 1

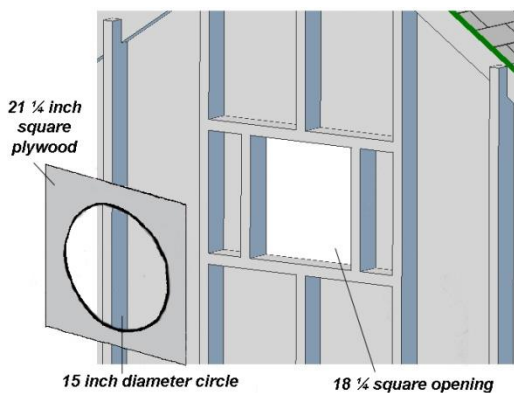
For new installation or installation behind existing louvers, using 2 x 4 studs, frame an opening at least 18 ¼-in square (depending on stud spacing) on center, on the attic side of the gable.



Step 2

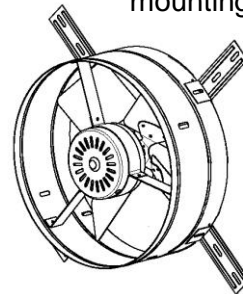
Cover the opening with a square piece of plywood, paneling, or sheetrock, at least 21 ¼-in square (depending on stud spacing). Cut a 15-in diameter hole in the center of this panel, to allow the shroud of the fan to enter the hole.

It is important to block off any remaining open vent area in the gable.



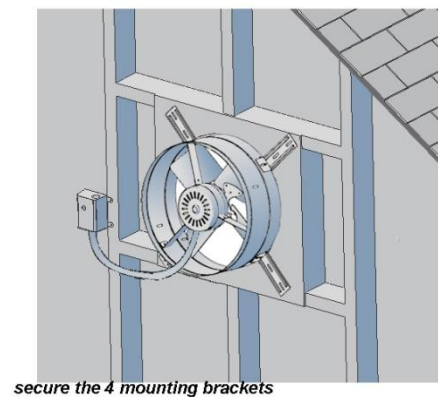
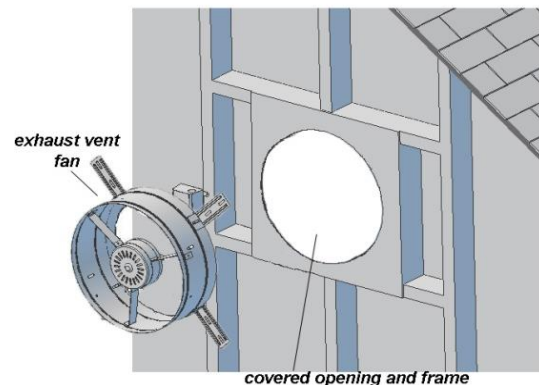
Step 3

With the nuts and bolts furnished, secure the 4 mounting brackets to the shroud and then fasten the unit to the frame.



Mounting the long side of the L brackets with the long side to the shroud may better fit your installation and also help reduce vibration. Seal off any gaps around the fan, in

order for the fan to function at maximum efficiency.

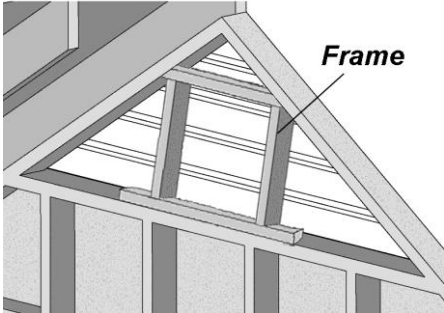


TIP: MUCH OF THE PREPARATION, WIRING OF THERMOSTAT, TESTING, AND MOUNTING TO THE FRAME CAN BE DONE BEFORE FINAL INSTALLATION IN THE ATTIC.

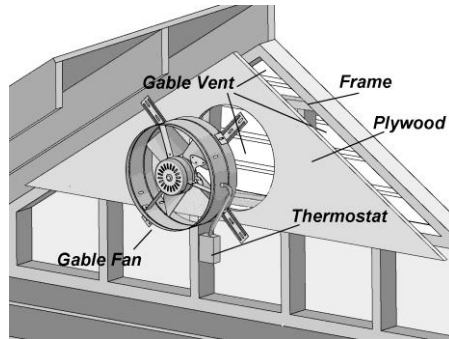
FOR INSTALLATION BEHIND TRIANGULAR GABLE VENTS

For installation on triangular gable vents, refer to steps 1-3 on the opposite page and the following illustrations for references.

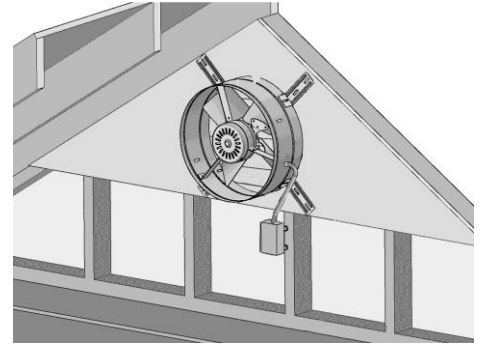
Step 1



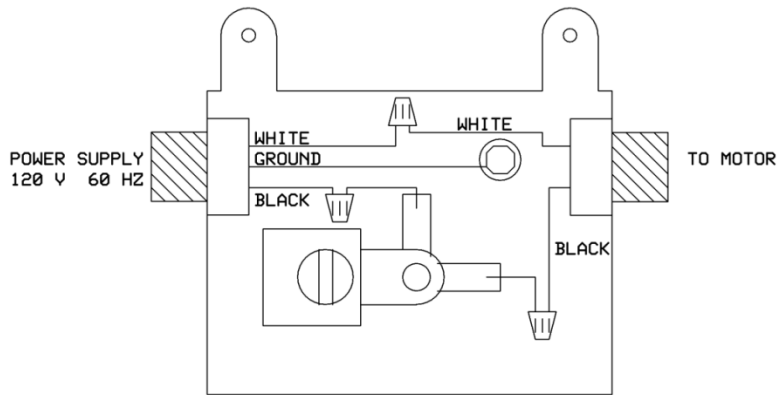
Step 2



Step 3



THERMOSTAT INSTALLATION



WARNING

- Before wiring the thermostat, turn the power off at the breaker to avoid electrocution.
- Be certain to confirm to all Local Electric Codes and Regulations.
- Remove the cover from the thermostat box and use screws to attach the mounting plate to a stud.
- When installing the thermostat box, use screws to attach it to the stud to prevent damage to the control.
- Leave the back side of the control unobstructed to allow free air circulation behind the box.
- Wire the unit to the incoming power supply according to the diagram below.
- The thermostat is adjustable. Recommended setting is 90-110 degrees F depending on local temperatures.
- The fan will run as long as the attic temperature remains above the set temperature.

VENTAMATIC, LTD.
LIMITED WARRANTY

Ventamatic, Ltd. extends this warranty to the original occupying owner of the home where this product is installed that this product will be free from defects of material or workmanship for the time period listed by model number below:

VX2500	LIMITED LIFETIME	CX2500	LIMITED LIFETIME
VX2516	LIMITED 2 YEAR	CX1600	LIMITED 2 YEAR
VX2515	LIMITED 2 YEAR	CX1500	LIMITED 2 YEAR

No subsequent purchaser of this product or of the home in which the product is installed is entitled to the benefits of the warranty.

Ventamatic, Ltd. will replace the defective part or component only and return the new part to you freight prepaid. Customer must bear all other expenses incurred, including labor required for field repair or replacement and cost of return shipping of the defective part or component to Ventamatic. Customer must also bear the cost of replacement of any part or component and the shipping charges incurred for the replacement and return of any part or component not covered by this warranty, including parts or components damaged by customer.

Ventamatic, Ltd. reserves the right to demand and receive written evidence of the date of purchase before undertaking to perform its obligations under this warranty. **YOU SHOULD, THEREFORE, RETAIN YOUR SALES SLIP AND ATTACH IT TO YOUR WARRANTY CLAIM.**

In order to obtain the replacement of a part or component, you must select one of the following methods:

A. Return to factory.

Return postage prepaid the fan or part you believe to be defective to the address below:

Ventamatic, Ltd.
100 Washington Street
Mineral Wells, TX 76067

Include your name & address and a copy of your proof of purchase or installation.

B. Return to place of purchase.

There is no informal dispute settling mechanism available in the event of a controversy involving this warranty.

Any and all implied warranties shall be limited to the duration of the express warranty set forth above. In some states, limitations of the duration of implied warranty do not apply.

Ventamatic, Ltd. shall not be liable for incidental or consequential damages, whether direct or indirect based upon breach of warranty, breach of contract, negligence or tort. If any suit or other action is brought against Ventamatic by customer, Ventamatic and customer irrevocably waive the right to trial by jury.

Purchase and installation of this product constitutes acceptance of the terms of this warranty by customer.