

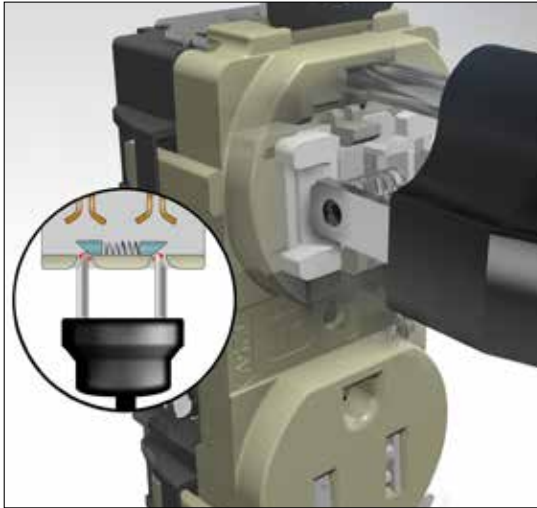
Tamper-Resistant... **NOT** Plug Resistant[®]

TR

Tamper-Resistant Receptacles

Tamper-Resistant... **NOT** Plug Resistant®

Conventional Technology



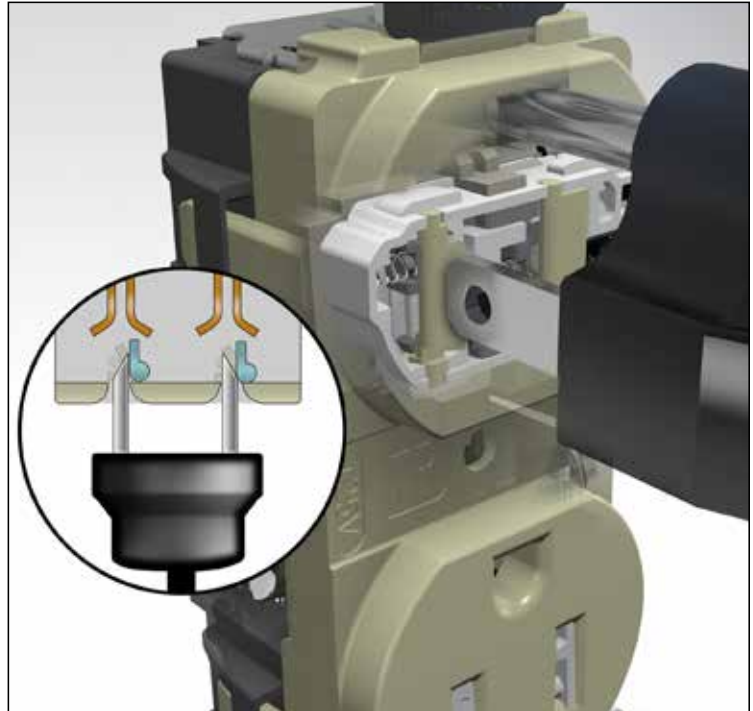
Ramp Mechanism

Most tamper-resistant receptacles use a spring-loaded sliding ramp shutter mechanism in the body of the receptacle.

There are some drawbacks to this type of mechanism. Sharp edges on plug blades could dig into the ramps, making plug insertion difficult. Damaged or weak plugs make the situation worse.

A quick online search will show videos from homeowners and electricians, complaining about TR receptacles.

Hubbell Patented Technology



Patented Cam Action Mechanism

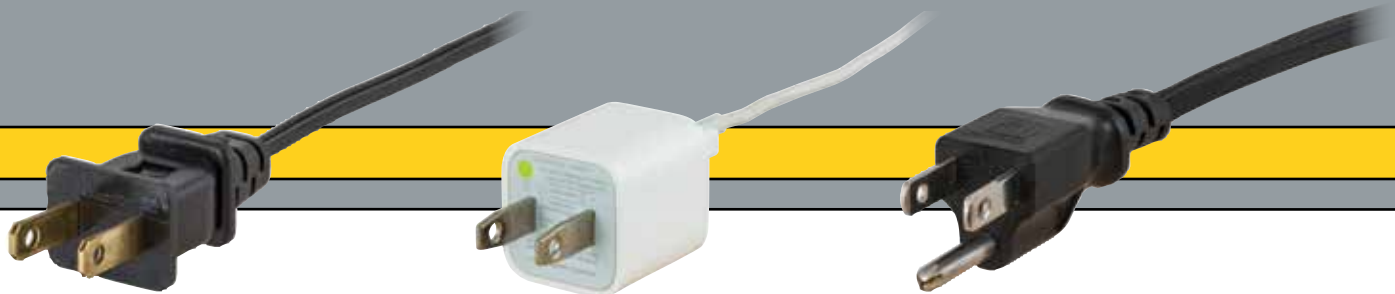
Hubbell heard these customer concerns, driving our product development team to engineer a better way.

The result is our patented cam action mechanism. When a plug is inserted into a Hubbell tamper-resistant receptacle, the cam slides the insulating barrier out of the way. The rotating action eliminates friction, creating a smoother, more reliable insertion, regardless of the plug.

As a result, difficulties due to problematic plugs are minimized.

The Problematic Plugs

Common household plugs on lamps, small appliances and extension cords often have weak, flexible blades that are easily splayed or bent. These molded-on plugs can also have blades with sharp edges and burrs that catch in conventional TR outlets. Our patented technology resolves this problem.



Tamper-Resistant - Safety Made Easy

The Hubbell Solution

Hubbell's patented Cam Action Technology makes inserting a plug as easy as plugging into a standard receptacle. This design has been incorporated into our Industrial, Hospital, Commercial and Residential receptacles. This broad offering ensures the right quality product for all projects.

Code Compliance

According to the NFPA[®], approximately 2,400 children suffer severe shock and burns from sticking objects into unprotected receptacles.

In accordance with the 2014 NEC[®] code TR receptacles are to be installed in the following locations:

- Hospitals and healthcare facilities
- Child care facilities
- Schools and higher education housing
- Hospitality
- Assisted-living facilities
- New and remodeled residences

Hubbell Online Resources

For additional information about Hubbell Tamper-Resistant receptacles visit us at www.hubbell-wiring.com.



Scan to see how the Patented Cam Action Mechanism works.



Testimonials



Jackson Bradley, Design Engineer, Atlanta, GA

I received the receptacles this morning and am really impressed. I walked around the house plugging many different types of devices and all worked very smoothly.

I have been a design engineer for almost 30 years and know a good design when I see it. You can be proud of this one.

I'll pass some of these along to electricians that I know.

Thanks for your response as well as the receptacles.



Jason C. Stevenson, Electrician

I am a commercial/residential electrician for over 30 years and had varied experience with tamper resistant receptacles from all the major manufacturers.

The tamper resistant mechanism in the current Hubbell product line are the slickest and most trouble free I have experienced.

HBL Extra Heavy Duty

Duplex	Back and side wired	
Color	15A	20A
Black	HBL5262BKTR	HBL5362BKTR
Blue	HBL5262BLTR	HBL5362BLTR
Brown	HBL5262TR	HBL5362TR
Gray	HBL5262GYTR	HBL5362GYTR
Ivory	HBL5262ITR	HBL5362ITR
Light Almond	HBL5262LATR	HBL5362LATR
Red	HBL5262RTR	HBL5362RTR
White	HBL5262WTR	HBL5362WTR

HBL5362ITR



RR15SITR

Residential Tamper-Resistant and Weather Resistant

Duplex	Push and side wire	
	Tamper-Resistant	Weather Resistant
Color	15A	15A
Black	RR15SBKTR	RR15SBKWRTR
Brown	RR15STR	RR15SWRTR
Gray	—	RR15SGYWRTR
Ivory	RR15SITR	RR15SIWRTR
Light Almond	RR15SLATR	RR15SLAWRTR
White	RR15SWTR	RR15SWWRTR

Hubbell-PRO Hospital Grade

Duplex	Back and side wired	
Color	15A	20A
Black	8200BKTRA	8300BKTRA
Brown	8200TRA	8300TRA
Gray	8200GYTRA	8300GYTRA
Ivory	8200IVTRA	8300IVTRA
Light Almond	8200LATRA	8300LATRA
Red	8200REDTRA	8300REDTRA
White	8200WTRA	8300WTRA

8200IVTRA



RR15SITR

Decorator	Push and side wire	
	Tamper-Resistant	Weather Resistant
Color	15A	15A
Black	RRD15SBKTR	RRD15SBKWRTR
Brown	RRD15STR	RRD15SWRTR
Gray	—	RRD15SGYWRTR
Ivory	RRD15SITR	RRD15SIWRTR
Light Almond	RRD15SLATR	RRD15SLAWRTR
White	RRD15SWTR	RRD15SWWRTR

Decorator	Back and side wired	
Color	15A	20A
Black	2172BKTRA	2182BKTRA
Brown	2172TRA	2182TRA
Gray	2172GYTRA	2182GYTRA
Ivory	2172IVTRA	2182IVTRA
Light Almond	2172LATRA	2182LATRA
Red	2172REDTRA	2182REDTRA
White	2172WTRA	2182WTRA



RR15ITR

Residential Single Tamper-Resistant Only

Standard	Side wired only	
	15A	20A
Black	RR151BKTR	RR201BKTR
Brown	RR151TR	RR201TR
Gray	RR151GYTR	RR201GYTR
Ivory	RR151ITR	RR201ITR
Light Almond	RR151LATR	RR201LATR
White	RR151WTR	RR201WTR



RRD201LATR

Decorator	Side wired only	
	15A	20A
Black	RRD151BKTR	RRD201BKTR
Brown	RRD151TR	RRD201TR
Gray	RRD151GYTR	RRD201GYTR
Ivory	RRD151ITR	RRD201ITR
Light Almond	RRD151LATR	RRD201LATR
White	RRD151WTR	RRD201WTR

Commercial Specification Grade

Duplex	Side wired only	
Color	15A	20A
Almond	CR15ALTR	CR20ALTR
Black	CR15BLKTR	CR20BLKTR
Brown	CR15TR	CR20TR
Gray	CR15GRYTR	CR20GRYTR
Ivory	CR15ITR	CR20ITR
Light Almond	CR15LATR	CR20LATR
White	CR15WHITR	CR20WHITR

CR15ITR



RR15ITR

The Code

Per 2014 National Electrical Code (NEC®) Article 406.12, 406.13, 406.14; all 125 volt, 15 and 20 amp receptacles in dwelling units, lodging guest rooms and suites, and child care facilities shall be a listed tamper resistant type. Dwelling units are defined as a single unit, providing complete and independent living facilities for one or more persons, including permanent provisions for living, sleeping, cooking and sanitation. Listed devices are required to have a TR marking on the face visible when installed without a cover plate.

Duplex	Back and side wired	
Color	15A	20A
Almond	BR15ALTR	BR20ALTR
Black	BR15BLKTR	BR20BLKTR
Brown	BR15TR	BR20TR
Gray	BR15GRYTR	BR20GRYTR
Ivory	BR15ITR	BR20ITR
Light Almond	BR15LATR	BR20LATR
White	BR15WHITR	BR20WHITR

BR20ITR

Decorator	Back and side wired	
Color	15A	20A
Almond	DR15ALTR	DR20ALTR
Black	DR15BLKTR	DR20BLKTR
Brown	DR15TR	DR20TR
Gray	DR15GRYTR	DR20GRYTR
Ivory	DR15ITR	DR20ITR
Light Almond	DR15LATR	DR20LATR
White	DR15WHITR	DR20WHITR

DR20ITR