



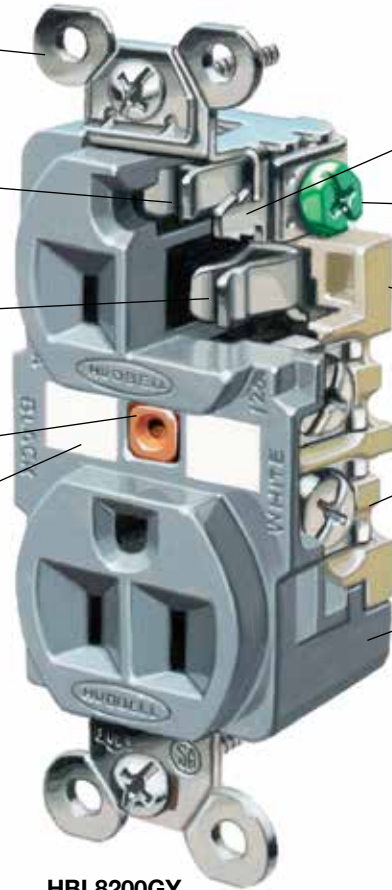
One-piece nickel-plated brass integral ground strap for greater corrosion resistance

Patented ground contact provides redundant grounding

Unique bypass contact design results in greater contact force and reduced heat buildup

Square head, 10-thread bronze center rivet won't rotate, reduces stripping and resists corrosion

I.D. marking surface provides quick, sure circuit identification



Barbed assembly arms reduce possibility of face/base separation

Back wired ground terminal allows faster, easier installation

RTP base offers greater heat resistance, plus contact stability

External bundling terminals contain wire strands and are designed for quick inspection

Deep body design increases impact and chemical resistance

**HBL8200GY**

## Hubbell "Hospital Grade" Devices

To qualify for the "Hospital Grade" designation and use of the associated green dot symbol, UL requires that the manufacturer design its devices to perform to specific levels. These levels form an established baseline below which no manufacturer can fall and still carry a green dot.

Hubbell sets their standards high. Each product is built to withstand the severe conditions of abuse that are unique to the hospital environment. Hubbell receptacles have exclusive design features that set them apart from the competition.

- Exclusive nickel-plated bypass contact design increases contact pressure, lowering the operating temperature.
- Four point grounding system provides redundant grounding for low resistance ground continuity in high abuse areas.
- High tech reinforced thermoplastic polyester (RTP) back is tough and heat resistant.

Because of these features and others, the benefit is performance, reliability, and value for any health care facility.



One piece, nickel plated brass mounting strap with integral ground contacts, along with secondary ground contact, provides superior grounding for low resistance flow of fault currents as well as corrosion resistance. Barbed locking arms keep the face locked in place to diminish potential for face/base separation. Back wired ground screw reduces installation time.



Exclusive bypass contacts are made of nickel-plated brass alloy. This design increases blade retention forces, insuring a reliable uninterrupted flow of power.

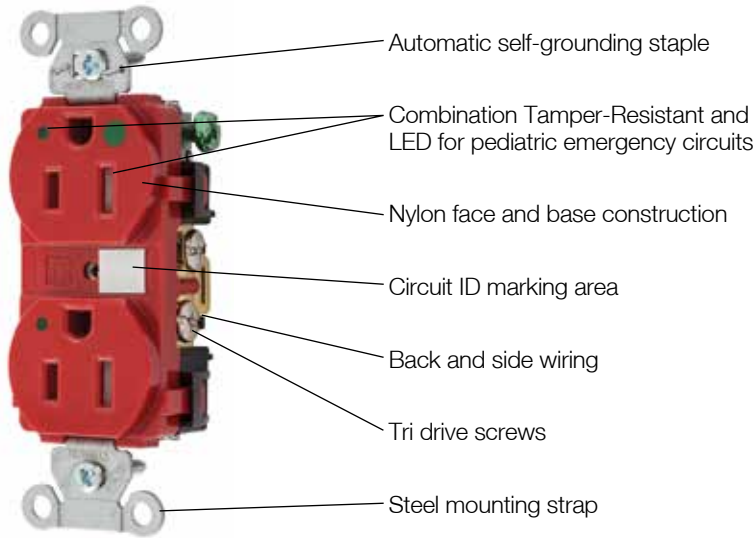


Reinforced thermoplastic back provides superior thermal, electrical and mechanical properties. By providing contact stability, this high performance material will reduce heat buildup giving you long lasting performance.



External wiring clamps allow for visual inspection of the terminals. A unique strand containment feature on the terminal "bundles" the wire, ensuring 100% clamping of wire strands and reducing heat from the termination.

**Hubbell-PRO Features**



**8200REDLTR**



**Hubbell-PRO Heavy Duty Hospital Grade Receptacles**



**15A 125V**  
 NEMA 5-15R  
 UL CSA  
 0.5 HP



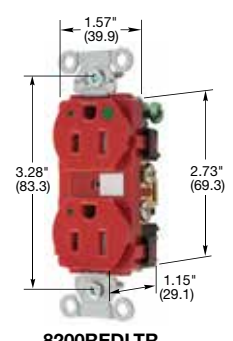
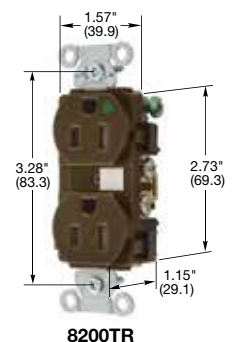
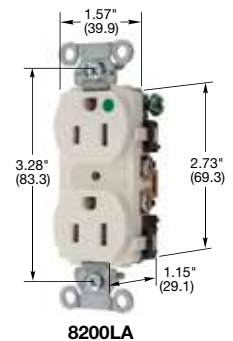
**20A 125V**  
 NEMA 5-20R  
 UL CSA  
 1 HP

**Duplex**

Description	Color	Catalog Number	
Hospital grade, smooth nylon face, back and side wired. Assembled in USA.	Black	<b>8200BK</b>	<b>8300BK</b>
	Brown	<b>8200</b>	<b>8300</b>
	Gray	<b>8200GY</b>	<b>8300GY</b>
	Ivory	<b>8200IV</b>	<b>8300IV</b>
	Light Almond	<b>8200LA</b>	<b>8300LA</b>
	Red	<b>8200RED</b>	<b>8300RED</b>
	White	<b>8200WHI</b>	<b>8300WHI</b>
Hospital grade, Tamper-Resistant, smooth nylon face, back and side wired. Assembled in USA.	Black	<b>8200BKTRA</b>	<b>8300BKTRA</b>
	Brown	<b>8200TRA</b>	<b>8300TRA</b>
	Gray	<b>8200GYTRA</b>	<b>8300GYTRA</b>
	Ivory	<b>8200IVTRA</b>	<b>8300IVTRA</b>
	Light Almond	<b>8200LATRA</b>	<b>8300LATRA</b>
	Red	<b>8200REDTRA</b>	<b>8300REDTRA</b>
	White	<b>8200WTRA</b>	<b>8300WTRA</b>
Hospital grade, with Power Indicating LED, smooth nylon face, back and side wired. Assembled in USA.	Black	<b>8200BKL</b>	<b>8300BKL</b>
	Brown	<b>8200L</b>	<b>8300L</b>
	Gray	<b>8200GYL</b>	<b>8300GYL</b>
	Ivory	<b>8200IVL</b>	<b>8300IVL</b>
	Light Almond	<b>8200LAL</b>	<b>8300LALM</b>
	Red	<b>8200REDL</b>	<b>8300REDL</b>
	White	<b>8200WL</b>	<b>8300WL</b>
Hospital grade, Tamper-Resistant, with Power Indicating LED, smooth nylon face, back and side wired. Assembled in USA.	Black	<b>8200BKLTRA</b>	<b>8300BKLTRA</b>
	Brown	<b>8200LTRA</b>	<b>8300LTRA</b>
	Gray	<b>8200GYLTRA</b>	<b>8300GYLTRA</b>
	Ivory	<b>8200IVLTRA</b>	<b>8300IVLTRA</b>
	Light Almond	<b>8200LALTRA</b>	<b>8300LALTRA</b>
	Red	<b>8200REDLTRA</b>	<b>8300REDLTRA</b>
	White	<b>8200WLTRA</b>	<b>8300WLTRA</b>

Note: See pages A-50 and A-51 for accessories.  
 See page A-59 for technical information.  
 See page Tech-10 for Tamper-Resistant and LED Power Indicators description.  
 See section N for wallplates.

**The products listed on this page are Assembled in USA, and many are Buy American Compliant. Please contact Hubbell with any certification requirements.**



Dimensions in Inches (mm)