

Wet Location Combination Exit/Emergency Light

FEATURES

- LED based exit/emergency light for wall, ceiling or end mounting
- Includes Self-Test/Self-Diagnostics
- Housing made of 5VA flame retardant polycarbonate in white finish
- Exit face-plate and lamp-head shield made from high impact, UV stable polycarbonate
- Fully adjustable LED lamp-heads at 3.6W each
- Long life Nickel Cadmium Battery
- Temperature Range: 0°C to 50°C, CT Option: -20°C to 50°C
- UL924 Wet Location Listed



tradeSELECT®

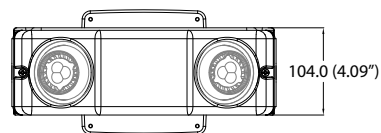
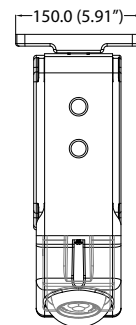
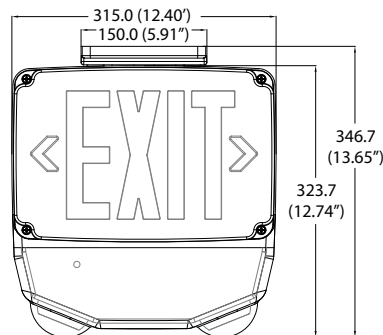
EXIT SIGNS

ORDERING INFORMATION

CATALOG NUMBER	DESCRIPTION
CWC1RW	White Housing, Single Face, Red Letters
CWC2RW	White Housing, Double Face, Red Letters
CWC1GW	White Housing, Single Face, Green Letters
CWC2GW	White Housing, Double Face, Green Letters
CWC1RW-CT	White Housing, Single Face, Red Letters, Cold Temperature Operation
CWC2RW-CT	White Housing, Double Face, Red Letters, Cold Temperature Operation
CWC1GW-CT	White Housing, Single Face, Green Letters, Cold Temperature Operation
CWC2GW-CT	White Housing, Double Face, Green Letters, Cold Temperature Operation

ELECTRONICS

- 120/277VAC input
- AC lockout and Low Voltage disconnect
- Battery re-charge within 24 hours
- Self-Test/Self-Diagnostic circuitry
- Magnetic No Touch Testing



Single Carton Weight: 8.0 lbs.
Master Carton Quantity: 4 each

Wet Location Combination Exit/Emergency Light



tradeSELECT®

FEATURES

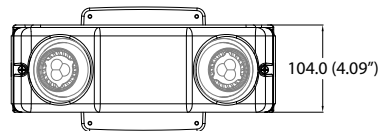
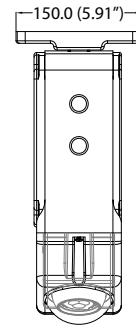
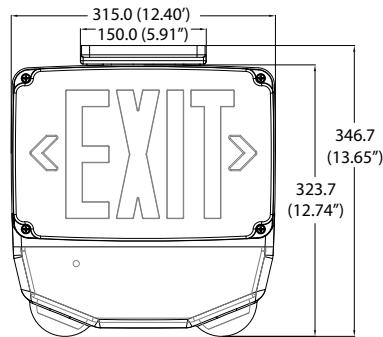
- LED based exit/emergency light for wall, ceiling or end mounting
- Includes Self-Test/Self-Diagnostics
- Housing made of 5VA flame retardant polycarbonate in white finish
- Exit face-plate and lamp-head shield made from high impact, UV stable polycarbonate
- Fully adjustable LED lamp-heads at 3.6W each
- Long life Nickel Cadmium Battery
- Temperature Range: 0°C to 50°C, CT Option: -20°C to 50°C
- UL924 Wet Location Listed

ORDERING INFORMATION

CATALOG NUMBER	DESCRIPTION
CWC1RW	White Housing, Single Face, Red Letters
CWC2RW	White Housing, Double Face, Red Letters
CWC1GW	White Housing, Single Face, Green Letters
CWC2GW	White Housing, Double Face, Green Letters
CWC1RW-CT	White Housing, Single Face, Red Letters, Cold Temperature Operation
CWC2RW-CT	White Housing, Double Face, Red Letters, Cold Temperature Operation
CWC1GW-CT	White Housing, Single Face, Green Letters, Cold Temperature Operation
CWC2GW-CT	White Housing, Double Face, Green Letters, Cold Temperature Operation

ELECTRONICS

- 120/277VAC input
- AC lockout and Low Voltage disconnect
- Battery re-charge within 24 hours
- Self-Test/Self-Diagnostic circuitry
- Magnetic No Touch Testing



Single Carton Weight: 8.0 lbs.
Master Carton Quantity: 4 each