



Date: _____ Type: _____

Firm Name: _____

Project: _____

eW Blast Powercore

2700 K, 10° clear lens

The world's leading exterior LED wash fixture with solid white light

eW Blast Powercore is an LED lighting fixture providing a high-intensity wash of white light while consuming less energy than comparable non-LED light fixtures. Rated for outdoor use, eW Blast Powercore offers the efficiency and cost-effectiveness of Powercore technology in a rugged die-cast aluminum housing. eW Blast Powercore is ideal for applications as diverse as highlighting architectural features, general site illumination, and lighting signage and retail spaces.

- Supports new applications for white light — Long useful source life can significantly reduce or eliminate maintenance problems, allowing the use of white lighting in spaces where lamp maintenance may be impossible.

- High-intensity, energy-efficient white light — Offers high-intensity illumination at a significantly lower power draw than comparable non-LED fixtures.
- Versatile lighting options — Available in four beam angles: 10°, 21°, 36°, and 83° (no optic). Housing available in white or black.
- Dimming capability — Patented DIMand technology offers smooth dimming capability with selected commercially available reverse-phase ELV-type dimmers.

For detailed product information, please refer to the eW Blast Powercore Product Guide at www.philipscolorkinetics.com/ls/essentialwhite/ewblast/

Specifications

Due to continuous improvements and innovations, specifications may change without notice.

Item	Specification	10° clear lens, 2700 K*
	Lumens†	1990
	Efficacy (lm / W)	42.3
	CRI	83
	Mixing Distance	6 in (152 mm) to uniform light
	Lumen Maintenance‡	70,000 hours L70 @ 25° C 37,000 hours L70 @ 50° C 90,000 hours L50 @ 25° C 68,000 hours L50 @ 50° C
Electrical	Input Voltage	100 / 120 / 240 / 277 VAC, auto-switching, 50 / 60 Hz
	Power Consumption	50 W maximum at full output, steady state
	Power Factor	.98 @ 120 VAC
Control	Dimming	Compatible with selected commercially available reverse-phase ELV-type dimmers§
Physical	Dimensions (Height x Width x Depth)	7.1 x 12.5 x 4.9 in (180 x 318 x 124 mm)
	Weight	6.4 lb (2.9 kg)
	Housing	Die-cast aluminium, white or black powder-coated finish
	Lens	Clear tempered glass (10° and 83° beam angles) Frosted tempered glass (21° and 36° beam angles)
	Fixture Connections	6 ft (1.8 m) unified power / data cable
	Temperature Ranges	-40° – 122° F (-40° – 50° C) Operating -4° – 122° F (-20° – 50° C) Startup -40° – 176° F (-40° – 80° C) Storage
	Fixture Run Lengths	To calculate fixture run lengths and total power consumption for your specific installation, download the Configuration Calculator from www.philipscolorkinetics.com/support/install_tool/
Certification and Safety	Humidity	0 – 95%, non-condensing
	Certification	UL / cUL, FCC Class B, CE
	Environment	Dry / Damp / Wet Location, IP66

* Correlated color temperature (CCT) complies with ANSI C78.377-2008 for the chromaticity of solid state lighting products.

† Lumen measurement complies with IES LM-79-08 testing procedures.

‡ L70 = 70% lumen maintenance (when light output drops below 70% of initial output). L50 = 50% lumen maintenance (when light output drops below 50% of initial output). Ambient luminaire temperatures specified. Lumen maintenance calculations are based on lifetime prediction graphs supplied by LED source manufacturers. Calculations for white-light LED fixtures are based on measurements that comply with IES LM-80-08 testing procedures. Refer to www.philipscolorkinetics.com/support/appnotes/ for more information.

§ Refer to www.philipscolorkinetics.com/support/appnotes/ for more information.

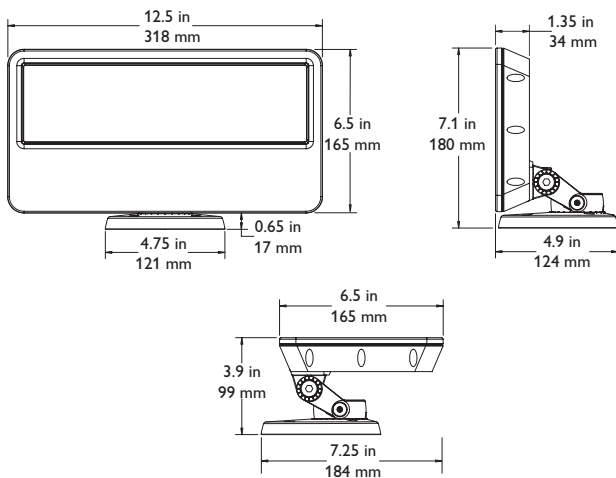


PHILIPS

Fixtures

Item	Housing Color	Lens	Item Number	Philips 12NC
eW Blast Powercore 2700 K UL / cUL	White	10° (clear lens)	523-000069-00	910503702322
		21° (frosted lens)	523-000069-02	910503702365
		36° (frosted lens)	523-000069-04	910503702367
		83° (no optic)	523-000069-06	910503702369
	Black	10° (clear lens)	523-000069-01	910503702364
		21° (frosted lens)	523-000069-03	910503702366
		36° (frosted lens)	523-000069-05	910503702368
		83° (no optic)	523-000069-07	910503702370
		eW Blast Powercore 4000 K UL / cUL	White	10° (clear lens)
21° (frosted lens)	523-000069-10			910503702373
36° (frosted lens)	523-000069-12			910503702375
83° (no optic)	523-000069-14			910503702377
Black	10° (clear lens)		523-000069-09	910503702372
	21° (frosted lens)		523-000069-11	910503702374
	36° (frosted lens)		523-000069-13	910503702376
	83° (no optic)		523-000069-15	910503702378
	eW Blast Powercore 2700 K CE / CQC		White	10° (clear lens)
21° (frosted lens)		523-000069-18		910503702381
36° (frosted lens)		523-000069-20		910503702383
Black		83° (no optic)	523-000069-22	910503702385
		10° (clear lens)	523-000069-17	910503702380
		21° (frosted lens)	523-000069-19	910503702382
		36° (frosted lens)	523-000069-21	910503702384
		83° (no optic)	523-000069-23	910503702386
		10° (clear lens)	523-000069-24	910503702387
eW Blast Powercore 4000 K CE / CQC	White	21° (frosted lens)	523-000069-26	910503702389
		36° (frosted lens)	523-000069-28	910503702391
		83° (no optic)	523-000069-30	910503702393
	Black	10° (clear lens)	523-000069-25	910503702388
		21° (frosted lens)	523-000069-27	910503702390
		36° (frosted lens)	523-000069-29	910503702392
		83° (no optic)	523-000069-31	910503702394

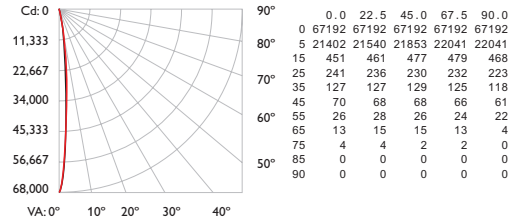
Use Item Number when ordering in North America.



Photometrics

2700 K, 10° clear lens

Polar Candela Distribution



Illuminance at Distance

	Center Beam fc	Beam Width
4 ft	4200 fc	0.6 ft 0.6 ft
8 ft	1050 fc	1.1 ft 1.1 ft
12 ft	467 fc	1.7 ft 1.7 ft
16 ft	262 fc	2.2 ft 2.3 ft
20 ft	168 fc	2.8 ft 2.8 ft
24 ft	117 fc	3.4 ft 3.4 ft

259 ft (78.9 m) 1 fc maximum distance

Vert. Spread: 8.0°
Horiz. Spread: 8.1°

Lumens	1990
Efficacy	42.3 lm / W

For lux multiply fc by 10.7

Accessories

* Intended for use with Blast fixtures with 10° clear lens

Item	Type	Item Number	Philips 12NC
Accessory Holders	White	120-000070-00	910503702864
	Black	120-000070-01	910503702863
Top Hats	White	120-000005-03	910503702847
	Black	120-000005-04	910503702848
Half Top Hats	White	120-000009-03	910503702843
	Black	120-000009-04	910503702844
Egg Crate Louvers	White	120-000015-03	910503702851
	Black	120-000015-04	910503702852
Barndoors	White	120-000019-03	910503702855
	Black	120-000019-04	910503702856
Horizontal Glass Spread Lens*	36° (ribs out) 50° (ribs in)	120-000025-00	910503703897
Horizontal / Vertical Glass Spread Lens*	40°	120-000025-01	910503703898

Use Item Number when ordering in North America.

OPTIBIN® | POWERCORE® | DIMAND®
CK TECHNOLOGY | CK TECHNOLOGY | CK TECHNOLOGY



Philips Color Kinetics
3 Burlington Woods Drive
Burlington, Massachusetts 01803 USA
Tel 888.385.5742
Tel 617.423.9999
Fax 617.423.9998
www.philipscolorkinetics.com

Copyright © 2008 – 2012 Philips Solid-State Lighting Solutions, Inc. All rights reserved.
Chromacore, Chromasic, CK, the CK logo, Color Kinetics, the Color Kinetics logo, ColorBlast, ColorBlaze, ColorBurst, eW Fuse, ColorGraze, ColorPlay, ColorReach, iW Reach, eW Reach, DIMand, EssentialWhite, eW, iColor, iColor Cove, IntelliWhite, iW, iPlayer, Optibin, and Powercore are either registered trademarks or trademarks of Philips Solid-State Lighting Solutions, Inc. in the United States and / or other countries. All other brand or product names are trademarks or registered trademarks of their respective owners. Due to continuous improvements and innovations, specifications may change without notice. DAS-000024-01 R09 07-12