

4" LED Downlight LF4LEDG4

120V-277V
High Efficacy
0-10V Dimming

APPLICATIONS:

LiteFrame LF4LED is a 4" specification grade LED open downlight that utilizes remote phosphor technology to obtain color consistency, energy savings, and low maintenance costs. 50,000 hours minimum life up to 35°C (95°F) in open plenum applications.

HOUSING:

One-piece 22 gauge non-corrosive steel platform. Pre-wired j-box with snap-on cover for easy access. Snap-in connection from driver compartment allows easy installation of light engine/trim assembly without tools above or below the ceiling and can be upgraded to accommodate technology improvements. Approve for 8 (4 in/4 out) No. 12 AWG conductors rated for 90°C through wiring.

REFLECTOR:

High purity aluminum, Alzak, iridescence suppressed, semi-diffuse reflector. Self-trim standard. Painted white self-trim (WT) available as option.

LED LIGHT ENGINE:

The LF4LED uses the Philips Fortimo DLM Gen 4 LED Module with remote phosphor technology. This technology provides controlled color consistency (3 SDCM) from fixture to fixture. The system is designed for optimal life and lumen maintenance (>50,000 hours at 70% lumen maintenance). Both reflector and light engine assembly are mechanically retained to housing. The light engine comes standard with 80 CRI in all Kelvin temperatures

LED DRIVER:

The LF4LED utilizes the Philips Fortimo LED Driver

CATALOG NUMBER:

Order housing, reflector, and accessories separately

specifically designed to optimize efficiency of the Fortimo DLM Module. Driver is designed to match the 50,000 hours minimum life expectancy of the system. Meets UL Class 2, inherent short circuit protection, self limited, overload protected. If critical temperatures are reached on driver or LED module, integrated thermal feedback loop will gradually reduce current to protect system life. Driver is universal 120V-277V. Optional Lutron Series A driver is also available.

DIMMING:

Comes standard with 0-10V dimming capability. Flicker-free dimming to 10%. 0-10V control may consume up to 1mA. 0-10V, Lutron 2 wire, 3 wire, and EcoSystem dimming available to 1% and DMX with RDM (remote device management) dimming to less than 0.1%.

INSTALLATION:

Adjustable Bar hangers included (not with CP option). Universal adjustable mounting brackets also accept 1/2" EMT conduit or 1 1/2" or 3/4" lathing channel (by others) or Prescolite 24" bar hangers (B24 or B6).

CERTIFICATIONS:

CSA certified to US and Canadian safety standards. Suitable for wet locations. Approved for through wiring. Non-IC rated. EMR is damp rated use only. ENERGY STAR qualified with open clear Alzak reflector. UL approved for NSF2 splash zone applications.

WARRANTY:

5 year warranty. See www.prescolite.com for details.

DATE: _____ TYPE: _____

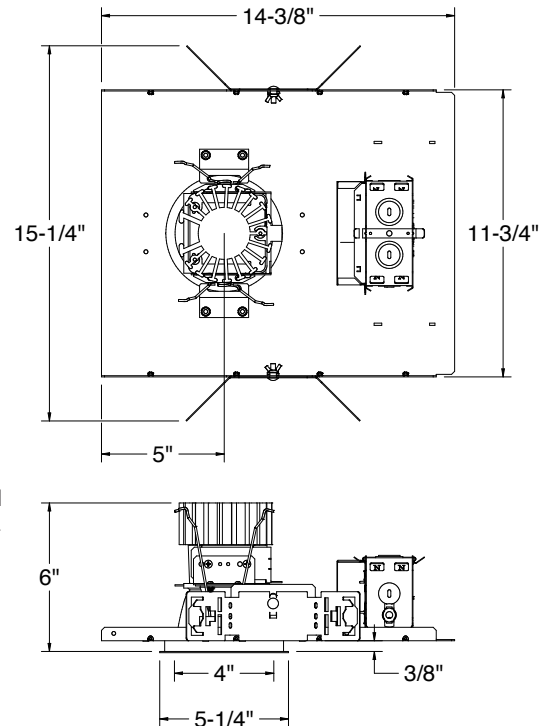
FIRM NAME: _____

PROJECT: _____

LiteFrame®



Ceiling Cutout: 5"
Maximum Ceiling Thickness 5/8"
For conversion to millimeters,
multiply inches by 25.4
Not to Scale



See sheet 3 EMR line art.

EXAMPLE: LF4LEDG4 -4LFLED5G430K
EXAMPLE: LF4LED7G4 120HDM-4LFLED7G435KWHWT

HOUSING/LED GENERATION	OPTIONS	TRIM	LED COLOR TEMP	REF. FINISH	REF. COLORS	REFLECTOR OPTIONS	ACCESSORIES
<input type="checkbox"/> LF4LEDG4 4" High Efficacy LED Housing with 0-10V Dimming to 10% VOLTAGE <input type="checkbox"/> Blank 120V-277V <input type="checkbox"/> 347²	<input type="checkbox"/> EMR² Emergency Battery Pack with remote test switch and indicator light <input type="checkbox"/> CP⁶ Chicago Plenum <input type="checkbox"/> DM1CP⁶ Chicago Plenum with 0-10V dimming to 1%	<input type="checkbox"/> 4LFLED5G4 1100 Lumen Module <input type="checkbox"/> 4LFLED6G4 1500 Lumen Module <input type="checkbox"/> 4LFLED7G4 2000 Lumen Module	<input type="checkbox"/> 30K <input type="checkbox"/> 35K <input type="checkbox"/> 40K	<input type="checkbox"/> Blank Semi-Diffuse	<input type="checkbox"/> Blank Clear <input type="checkbox"/> CG Champagne Gold <input type="checkbox"/> BL Black <input type="checkbox"/> WE Wheat <input type="checkbox"/> LW Light Wheat <input type="checkbox"/> PW Pewter <input type="checkbox"/> WH¹ White Paint	<input type="checkbox"/> WT White Trim <input type="checkbox"/> TRG Trim ring gasket <input type="checkbox"/> AM^{4,5} Antimicrobial coating on clear Alzak reflector only	<input type="checkbox"/> B24⁸ Set of two 24" bar hangers for T-bar ceilings <input type="checkbox"/> B6⁸ Set of two (2) bar hangers for ceiling joist up to 24" centers <input type="checkbox"/> LiteGear⁷ Inverter, single phase central lighting, 125VA-250VA <input type="checkbox"/> LPS Series⁷ LitePower micro-inverter, 20VA-55VA

Use with HDM/DM1/2DM/DMX dimming option: Match Housing to Trim Output

- | | | |
|---|--|--|
| <input type="checkbox"/> LF4LED5G4
<input type="checkbox"/> LF4LED6G4
<input type="checkbox"/> LF4LED7G4 | <input type="checkbox"/> 120
<input type="checkbox"/> 277 | <input type="checkbox"/> HDM³
Lutron 3-wire /Eco System to 1%
<input type="checkbox"/> 2DM³
Lutron 2-wire Leading Edge to 1% (120V only)
<input type="checkbox"/> DMX³
DMX with RDM dimming to <0.1%
<input type="checkbox"/> EMR²
Emergency Battery Pack with remote test switch and indicator light
<input type="checkbox"/> DM1³
0-10V dimming to 1% |
|---|--|--|

- NOTES**
- Requires WT option also
 - 347V not available with EMR
 - For HDM, DM1, DMX & 2DM options, housing output must match trim output
 - Clear Alzak standard. Consult factory for other reflector colors
 - Not available with TRG
 - Not available with EMR or 347V
 - See Central Inverter compatibility note and web links on page 4
 - Accessories should be selected with CP housing if required

STANDARD 0-10V DIMMING
ALTERNATIVE DIMMING TO 1% & 0.1%



In a continuing effort to offer the best product possible we reserve the right to change, without notice, specifications or materials that in our opinion will not alter the function of the product.
Web: www.prescolite.com • Tech Support: (888) 777-4832

LFR-LED-029

PHOTOMETRIC DATA

DRIVER DATA	LF4LED5G4 30K	LF4LED6G4 30K	LF4LED7G4 30K
Input Voltage	120-277V	120-277V	120-277V
Input Frequency	50/60 Hz	50/60 Hz	50/60 Hz
Input Current	0.12A (120v) 0.05A (277v)	0.16 (120v) 0.07 (277v)	0.22A (120v) 0.10A (277v)
Input Power	14.3W	18.9W	26.6W
Constant Current Output	200-1000mA	200-1000mA	200-1000mA
Power Factor	≥0.90	≥0.90	≥0.90
THD	<20%	<20%	<20%
EMI Filtering	FCC 47CFR Part 15, Class A	FCC 47CFR Part 15, Class A	FCC 47CFR Part 15, Class A
Operating Temperature	-20°C to 35°C	-20°C to 55°C	-20°C to 35°C
Dimming	0-10V	0-10V	0-10V

Over-voltage, over-current, short-circuit protected

Power consumption and photometric output may vary with HDM or 2DM driver option

When operating in EM mode, the fixture will deliver approximately 30% of the published full lumen output.

LF4LEDG4 4LFLED5G4 30K

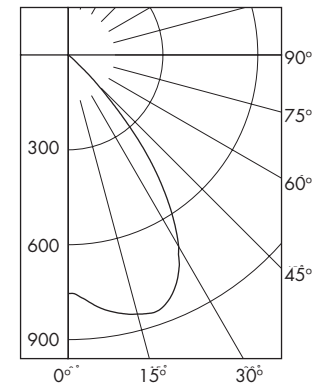
LED Light Engine: 3000K, 80 CRI

System Wattage: 14.3W

Fixture Delivered Lumens: 1131

Fixture Efficacy: 78.9

Spacing Criteria: 1.1



CANDELA DISTRIBUTION

DEG	CANDELA	LUMENS
0	754	
5	785	76
15	848	240
25	805	366
35	536	328
45	130	108
55	8	10
65	2	2
75	1	1
85	0	0
90	0	0

Test No. 8496 2673996-12

Tested at 25°C Ambient in accordance to IESNA LM-79-2008

ZONAL LUMEN SUMMARY

ZONE	LUMENS	%LUMINAIRE
0-30	683	60.3
0-40	1010	89.3
0-60	1128	99.7
0-90	1131	100.0
90-180	0	0.0
0-180	1131	100.0

LUMINANCE DATA IN CANDELA/SQ. METER

Angle in Vertical	Average
45°	22669
55°	1720
65°	584
75°	476
85°	0

COEFFICIENTS OF UTILIZATION Zonal Cavity Method

Room Cavity Ratio	% Effective Ceiling Cavity Reflectance																			
	80%				70%				50%				30%				10%			
	20% Effective Floor Cavity Reflectance																			
% Wall Reflectance																				
	70	50	30	10	70	50	30	10	50	30	10	50	30	10	50	30	10			
1	113	110	108	105	111	108	106	104	104	102	100	100	99	97	97	96	95			
2	107	102	98	94	105	100	96	93	97	94	91	94	91	89	91	89	87			
3	101	94	89	85	99	93	88	84	90	86	83	88	84	81	85	83	80			
4	95	87	81	77	94	86	81	76	84	79	75	82	78	75	80	77	74			
5	90	81	75	70	88	80	74	70	78	73	69	76	72	68	75	71	68			
6	85	75	69	64	83	74	68	64	73	68	64	71	67	63	70	66	63			
7	80	70	64	59	79	69	63	59	68	63	59	67	62	58	66	61	58			
8	76	65	59	55	74	65	59	54	64	58	54	63	58	54	62	57	54			
9	72	61	55	50	70	61	55	50	60	54	50	59	54	50	58	53	50			
10	68	57	51	47	67	57	51	47	56	50	47	55	50	47	54	50	46			

LF4LEDG4 4LFLED5G4 30K

Test No. 8496 2673996-12

LF4LEDG4 4LFLED6G4 30K

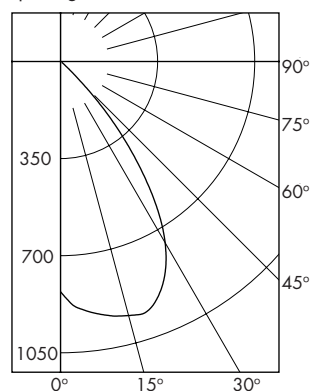
LED Light Engine: 3000K, 80 CRI

System Wattage: 18.9W

Fixture Delivered Lumens: 1214

Fixture Efficacy: 64.2

Spacing Criteria: 1.1



CANDELA DISTRIBUTION

DEG	CANDELA	LUMENS
0	830	
5	897	86
15	948	268
25	877	399
35	563	344
45	114	105
55	7	8
65	2	2
75	0	0
85	0	0
90	0	0

Test No. 8685

Tested at 25°C Ambient in accordance to IESNA LM-79-2008

ZONAL LUMEN SUMMARY

ZONE	LUMENS	%LUMINAIRE
0-30	753	62.1
0-40	1098	90.4
0-60	1211	99.8
0-90	1214	100.0
90-180	0	0.0
0-180	1214	100.0

LUMINANCE DATA IN CANDELA/SQ. METER

Angle in Vertical	Average
45°	22617
55°	1712
65°	664
75°	0
85°	0

COEFFICIENTS OF UTILIZATION Zonal Cavity Method

Room Cavity Ratio	% Effective Ceiling Cavity Reflectance																			
	80%				70%				50%				30%				10%			
	20% Effective Floor Cavity Reflectance																			
% Wall Reflectance																				
	70	50	30	10	70	50	30	10	50	30	10	50	30	10	50	30	10			
1	113	110	108	105	111	108	106	104	104	102	101	100	99	98	97	96	95			
2	107	102	98	94	105	100	97	93	97	94	91	94	92	89	91	89	87			
3	101	95	89	85	99	93	88	84	91	86	83	88	85	82	86	83	81			
4	96	88	82	77	94	87	81	77	84	80	76	82	78	75	80	77	74			
5	90	82	75	71	89	81	75	70	79	74	70	77	73	69	75	72	69			
6	85	76	70	65	84	75	69	65	74	68	64	72	67	64	71	67	63			
7	81	71	64	60	79	70	64	60	69	63	59	68	63	59	66	62	59			
8	76	66	60	55	75	66	59	55	64	59	55	63	58	55	62	58	54			
9	72	62	56	51	71	61	55	51	60	55	51	59	54	51	59	54	51			
10	68	58	52	48	67	58	52	48	57	51	48	56	51	47	55	51	47			

LF4LEDG4 4LFLED6G4 30K

Test No. 8685



Web: www.prescolite.com • Tech Support: (888) 777-4832

701 Millennium Boulevard • Greenville, SC 29607 U.S.A. • Phone (864) 678-1000

Copyright ©2017 Prescolite, Inc., a division of Hubbell Lighting, Inc. All Rights Reserved

Specifications subject to change without notice. • Printed in U.S.A. • LFR-LED-029 • 1/13/16

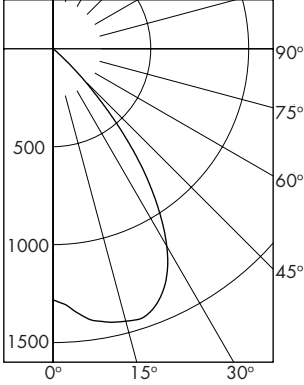


HUBBELL
Lighting, Inc.

PHOTOMETRIC DATA

LF4LEDG4 4LFLED7G4 30K

LED Light Engine: 3000K, 80 CRI
 System Wattage: 26.6W
 Fixture Delivered Lumens: 1895
 Fixture Efficacy: 71.4
 Spacing Criteria: 1.1



CANDELA DISTRIBUTION

DEG	CANDELA	LUMENS
0	1281	
5	1348	131
15	1440	407
25	1345	611
35	884	540
45	221	185
55	15	17
65	3	3
75	0	0
85	0	0
90	0	0

Test No. 8495 2673996-13

Tested at 25°C Ambient in accordance to IESNA LM-79-2008

ZONAL LUMEN SUMMARY

ZONE	LUMENS	%LUMINAIRE
0-30	1149	60.6
0-40	1690	89.2
0-60	1892	99.8
0-90	1895	100.0
90-180	0	0.0
0-180	1895	100.0

LUMINANCE DATA IN CANDELA/SQ. METER

Angle in Vertical	Average
45°	38537
55°	3225
65°	875
75°	0
85°	0

COEFFICIENTS OF UTILIZATION Zonal Cavity Method

Room Cavity Ratio	% Effective Ceiling Cavity Reflectance																
	80%			70%			50%			30%			10%				
	70	50	30	70	50	30	70	50	30	70	50	30	70	50	30		
1	113	110	108	105	111	108	106	104	104	102	100	100	99	97	97	96	95
2	107	102	98	94	105	100	96	93	97	94	91	94	91	89	91	89	87
3	101	94	89	85	99	93	88	84	90	86	83	88	84	81	85	83	80
4	95	87	81	77	94	86	81	76	84	79	76	82	78	75	80	77	74
5	90	81	75	70	88	80	74	70	78	73	69	77	72	69	75	71	68
6	85	75	69	64	83	75	69	64	73	68	64	72	67	63	70	66	63
7	80	70	64	59	79	70	63	59	68	63	59	67	62	58	66	61	58
8	76	66	59	55	75	65	59	55	64	58	54	63	58	54	62	57	54
9	72	61	55	51	71	61	55	51	60	54	50	59	54	50	58	53	50
10	68	57	51	47	67	57	51	47	56	51	47	55	50	47	55	50	47

LF4LEDG4 4LFLED7G4 30K

Test No. 8495 2673996-13



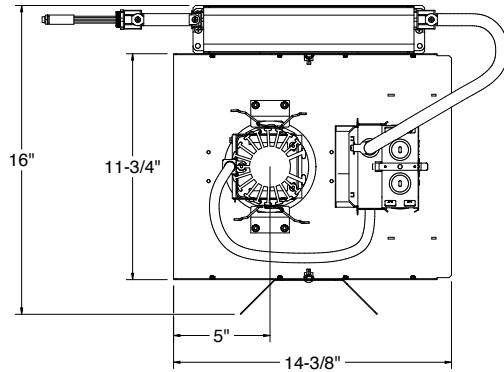
Web: www.prescolite.com • Tech Support: (888) 777-4832
 701 Millennium Boulevard • Greenville, SC 29607 U.S.A. • Phone (864) 678-1000
 Copyright ©2017 Prescolite, Inc., a division of Hubbell Lighting, Inc. All Rights Reserved
 Specifications subject to change without notice. • Printed in U.S.A. • LFR-LED-029 • 1/13/16



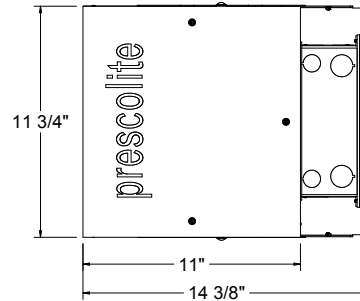
PHOTOMETRIC DATA

Integral EM Pack (Remote Test Switch)

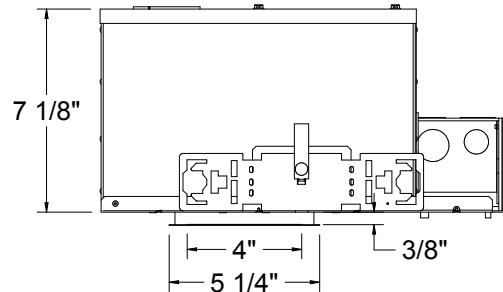
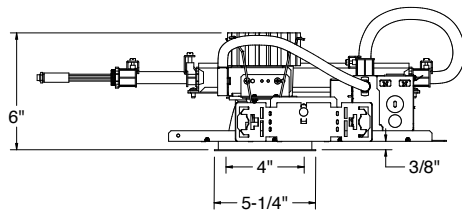
Prescolite provides photometric performance of the LiteFrame LED when operating on integral EM (Remote Test Switch) back up power as a tool to approximate light levels in back-up battery operation. This should not be deemed a guarantee of performance. The LiteFrame LED is CSA listed as an emergency fixture for applications not to exceed 16ft.



LF4LEDG4EMR



LF4LEDG4CP



Central Inverters

For full fixture output in back-up mode, we recommend you visit www.dual-lite.com for your Central Lighting Inverter options. Please contact your local Hubbell representative for any assistance with proper sizing and loading of your inverter selection. Central lighting inverters must be ordered separately.

LiteGear: www.dual-lite.com/products/litegear_lg_series

LPS Series: www.dual-lite.com/products/lps

Dimming Compatibility Table

Dimming Ballast	Manufacturer	Web Link
DM/DM1	Lutron DTV	http://bit.ly/11jSvZg
DM/DM1	Leviton AWRMG-7xx, AWSMG-7xx, AWSMT-7xx	http://bit.ly/1Bjn2R9
HDM	Lutron	http://bit.ly/1vtjHAL
2DM	Lutron	http://bit.ly/1S4WjXK

DMX

See instruction sheet on www.prescolite.com for connection & installation information.

Other useful links: <http://www.eldoled.com/led-drivers/powerdrive/50-watt/ac-561s/>



Web: www.prescolite.com • Tech Support: (888) 777-4832
 701 Millennium Boulevard • Greenville, SC 29607 U.S.A. • Phone (864) 678-1000
 Copyright ©2017 Prescolite, Inc., a division of Hubbell Lighting, Inc. All Rights Reserved
 Specifications subject to change without notice. • Printed in U.S.A. • LFR-LED-029 • 1/13/16

