


Marked “Controlled” Receptacles

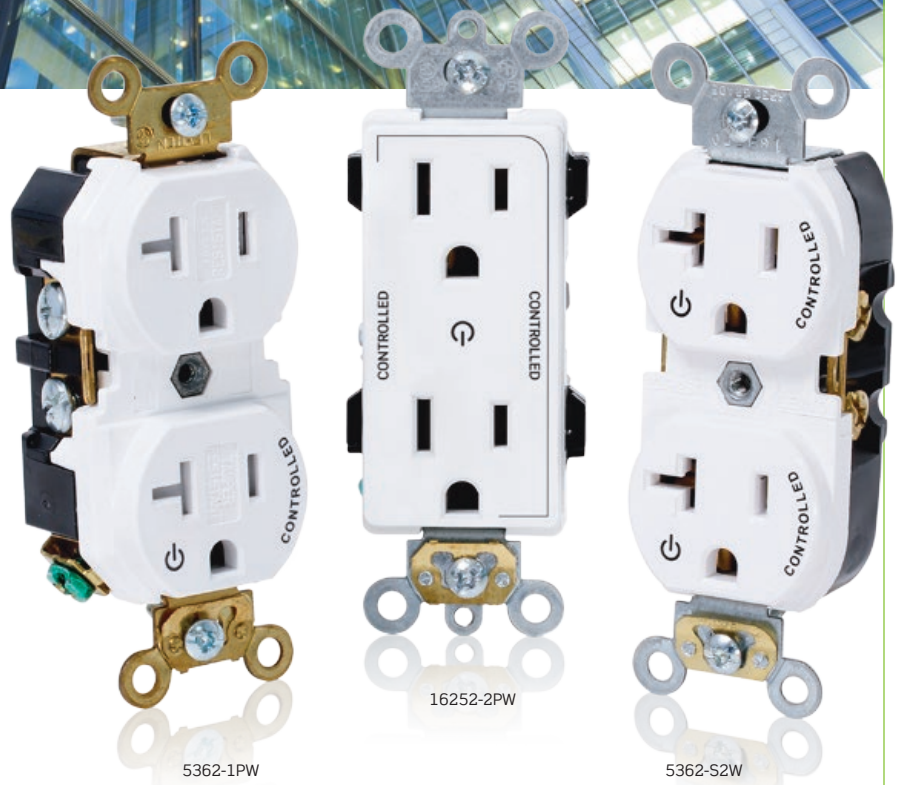
To comply with 2014 NEC Article 406.3(E), CA Title 24 & ASHRAE Energy Efficiency Standard 90.1



To meet the requirements for identifying receptacles that will be automatically de-energized as part of an overall plug load control program, the 2014 National Electrical Code requires all 15A & 20A, 125V receptacles that are automatically controlled to be marked with a specific symbol .

Imprinted Receptacles

For new construction and renovation applications, custom imprinting directly on the receptacle is available for our most popular specification grade receptacles. Available in back and side wired and side wired standard, tamper-resistant and Decora configurations.



Solutions to help comply with the new marking regulations.

Ordering Information

Extra-Heavy Duty Spec Grade, Tamper-Resistant, Duplex					
Back & Side Wire (Based on Leviton 5262/5362-SG Platform)					
		15A		20A	
Marking Location		1 Controlled*	2 Controlled**	1 Controlled*	2 Controlled**
ORDER ID	Brown	5262-1P	5262-2P	5362-1P	5362-2P
	Ivory	5262-1PI	5262-2PI	5362-1PI	5362-2PI
	White	5262-1PW	5262-2PW	5362-1PW	5362-2PW
	Black	5262-1PE	5262-2PE	5362-1PE	5362-2PE
	Gray	5262-1PG	5262-2PG	5362-1PG	5362-2PG
	Lt. Almond	5262-1PT	5262-2PT	5362-1PT	5362-2PT
	Red	5262-1PR	5262-2PR	5362-1PR	5362-2PR
	Blue	5262-1PB	5262-2PB	5362-1PB	5362-2PB

Spec Grade, Tamper-Resistant, Duplex					
Back & Side Wire (Based on Leviton TBR15/TBR20 Platform)					
		15A		20A	
Marking Location		1 Controlled*	2 Controlled**	1 Controlled*	2 Controlled**
ORDER ID	Brown	TBR15-S1+	TBR15-S2+	TBR20-S1+	TBR20-S2+
	Ivory	TBR15-S1I	TBR15-S2I	TBR20-S1I	TBR20-S2I
	White	TBR15-S1W	TBR15-S2W	TBR20-S1W	TBR20-S2W
	Black	TBR15-S1E+	TBR15-S2E+	TBR20-S1E+	TBR20-S2E+
	Gray	TBR15-S1G+	TBR15-S2G+	TBR20-S1G+	TBR20-S2G+
	Lt. Almond	TBR15-S1T	TBR15-S2T	TBR20-S1T	TBR20-S2T

Spec Grade, Tamper-Resistant, Decora					
Back & Side Wire (Based on Leviton TDR15/TDR20 Platform)					
		15A		20A	
Marking Location		1 Controlled*	2 Controlled**	1 Controlled*	2 Controlled**
ORDER ID	Brown	TDR15-S1+	TDR15-S2+	TDR20-S1+	TDR20-S2+
	Ivory	TDR15-S1I	TDR15-S2I	TDR20-S1I	TDR20-S2I
	White	TDR15-S1W	TDR15-S2W	TDR20-S1W	TDR20-S2W
	Black	TDR15-S1E+	TDR15-S2E+	TDR20-S1E+	TDR20-S2E+
	Gray	TDR15-S1G+	TDR15-S2G+	TDR20-S1G+	TDR20-S2G+
	Lt. Almond	TDR15-S1T	TDR15-S2T	TDR20-S1T	TDR20-S2T

Heavy Duty Spec Grade, Duplex					
Back & Side Wire (Based on Leviton 5262/5362-S Platform)					
		15A		20A	
Marking Location		1 Controlled*	2 Controlled**	1 Controlled*	2 Controlled**
ORDER ID	Brown	5262-S1	5262-S2	5362-S1	5362-S2
	Ivory	5262-S1I	5262-S2I	5362-S1I	5362-S2I
	White	5262-S1W	5262-S2W	5362-S1W	5362-S2W
	Black	5262-S1E	5262-S2E	5362-S1E	5362-S2E
	Gray	5262-S1G	5262-S2G	5362-S1G	5362-S2G
	Lt. Almond	5262-S1T	5262-S2T	5362-S1T	5362-S2T
	Red	5262-S1R	5262-S2R	5362-S1R	5362-S2R
	Blue	5262-S1B	5262-S2B	5362-S1B	5362-S2B

Spec Grade, Duplex					
Side Wire Only (Based on Leviton CR015/CR020 Platform)					
		15A		20A	
Marking Location		1 Controlled*	2 Controlled**	1 Controlled*	2 Controlled**
ID	Ivory	CR015-1PI	CR015-2PI	CR020-1PI	CR020-2PI
	White	CR015-1PW	CR015-2PW	CR020-1PW	CR020-2PW
	Lt. Almond	CR015-1PT	CR015-2PT	CR020-1PT	CR020-2PT

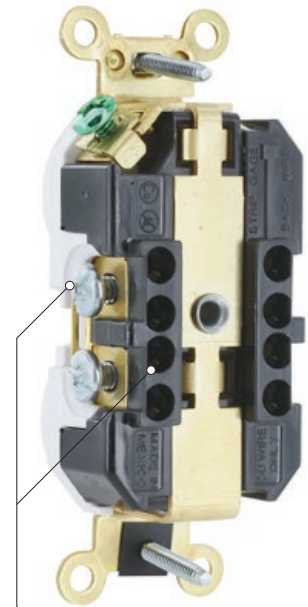
Heavy-Duty Spec Grade, Decora					
Back & Side Wired (Based on Leviton 16252/16352 Platform)					
		15A		20A	
Marking Location		1 Controlled*	2 Controlled**	1 Controlled*	2 Controlled**
ORDER ID	Brown	16252-1P	16252-2P	16352-1P	16352-2P
	Ivory	16252-1PI	16252-2PI	16352-1PI	16352-2PI
	White	16252-1PW	16252-2PW	16352-1PW	16352-2PW
	Black	16252-1PE	16252-2PE	16352-1PE	16352-2PE
	Gray	16252-1PG	16252-2PG	16352-1PG	16352-2PG
	Lt. Almond	16252-1PT	16252-2PT	16352-1PT	16352-2PT
	Red	16252-1PR	16252-2PR	16352-1PR	16352-2PR
	Blue	16252-1PB	16252-2PB	16352-1PB	16352-2PB

* 1 Controlled = split-circuit - break-off tab removed on 'hot' terminal; control marking on 1 outlet

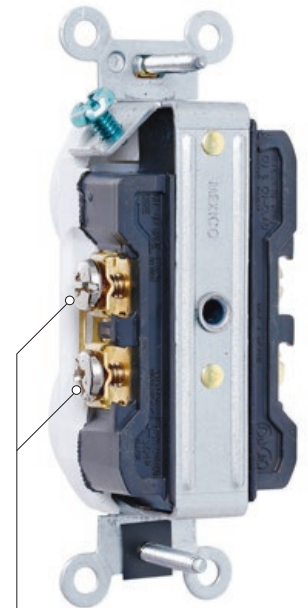
** 2 Controlled = no break-off tabs removed; control marking for both outlets

* Available upon special request

Wiring Options



Back & Side Wire - Internal Clamps



Back & Side Wire - External Clamps

Specifications

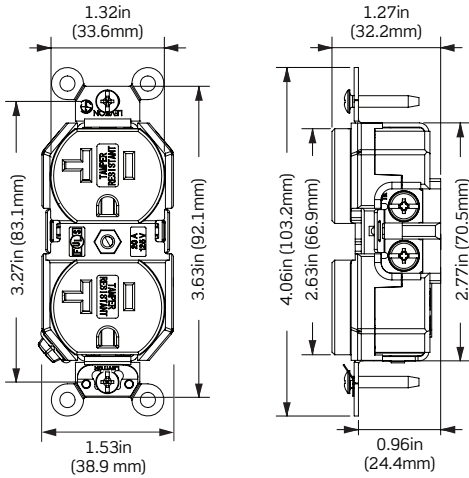
Description	5262/5362 1P/2P		16252/16352 1P/2P		5262/5362 S1/S2		CR015/CR020 1P/2P		TBR15/TBR20 S1/S2		TDR15/TDR20 S1/S2	
	15A	20A	15A	20A	15A	20A	15A	20A	15A	20A	15A	20A
AC Horsepower Rating												
At Rated Voltage	½ Hp	1 Hp	½ Hp	1 Hp	½ Hp	1 Hp	½ Hp	1 Hp	½ Hp	1 Hp	½ Hp	1 Hp
Electrical Specifications												
NEMA	5-15R	5-20R	5-15R	5-20R	5-15R	5-20R	5-15R	5-20R	5-15R	5-20R	5-15R	5-20R
Voltage	125V											
Grounding	Self-Grounding											
Pole	2											
Wire	3											
Dielectric Voltage	Withstands 2000V per UL498											
Environmental Specifications												
Flammability	Rated V-2 per UL94											
Operating Temperature	-40 °C to 75 °C						-40 °C to 60 °C					
Material Specifications												
Face Material	Nylon						Nylon		Polypropylene		Polycarbonate	
Body Material	Nylon						Polypropylene		Polypropylene		Nylon	
Line Contacts	Triple-Wipe 0.040" High Performance Brass Alloy		Triple-Wipe 0.031" Brass		Triple-Wipe 0.031" High Performance Brass Alloy		Double & Triple-Wipe 0.031" Brass		Double & Triple-Wipe 0.031" Brass		Triple-Wipe 0.031" Brass	
Terminal Clamp	Plated Steel		Plated Steel		Plated Steel		N/A		Brass		Plated Steel	
Terminal Screws	Plated Steel 10-32		Brass 10-32		Brass 10-32		Plated Steel 8-32		Plated Steel 10-32		Plated Steel 10-32	
Grounding Screw	Brass 8-32		Plated Steel 8-32		Plated Steel 8-32		Plated Steel 8-32		Plated Steel 8-32		Plated Steel 8-32	
Strap Material	Brass 0.050"		Plated Steel 0.042"		Plated Steel 0.042"		Plated Steel 0.042"		Plated Steel 0.042"		Plated Steel 0.042"	
Ground Clip	Brass											
Mechanical Specifications												
Terminal ID	Brass-Hot, Green-Ground, Silver-Neutral		Brass-Hot, Green-Ground, Silver-Neutral		Brass-Hot, Green-Ground, Silver-Neutral		Brass-Hot, Green-Ground, Silver-Neutral		Brass-Hot, Green-Ground, Silver-Neutral		Brass-Hot, Green-Ground, Silver-Neutral	
Terminal Accom.	14-10 AWG											
Building Wire Types	Solid or stranded											
Product ID.	Ratings are permanently marked on device											
Termination	Back & side wiring, 8 back-wiring holes		Back & side wiring, 8 back-wiring holes		Back & side wiring, 8 back-wiring holes		Side Wire Only		Back & side wiring, (External Clamps)		Back & side wiring, 8 back-wiring holes	
Standards & Certifications												
NEMA	WD-1 and WD-6											
ANSI	C-73											
Certification/Listing	UL, CSA, NOM-ANCE											
Applicable Standards	UL 498, CSA C22.2 No. 42, FedSpec W-C-596		UL 498, CSA C22.2 No. 42		UL 498, CSA C22.2 No. 42, FedSpec W-C-596		UL 498, CSA C22.2 No. 42		UL 498, CSA C22.2 No. 42		UL 498, CSA C22.2 No. 42	
Guarantees												
Product Warranty	10-Year Limited											

ASHRAE & TITLE 24

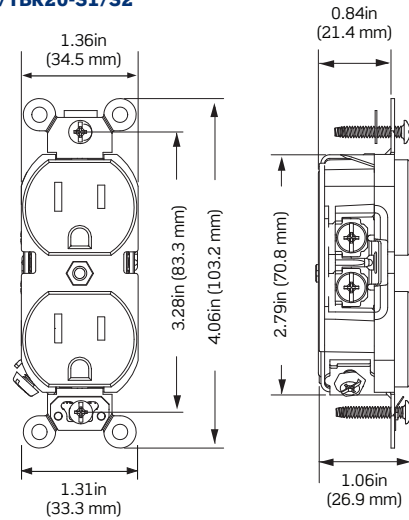
For examples of recommended energy code compliant solutions for typical commercial applications visit ashrae.leviton.com and title24.leviton.com and search by Application.

Dimensions

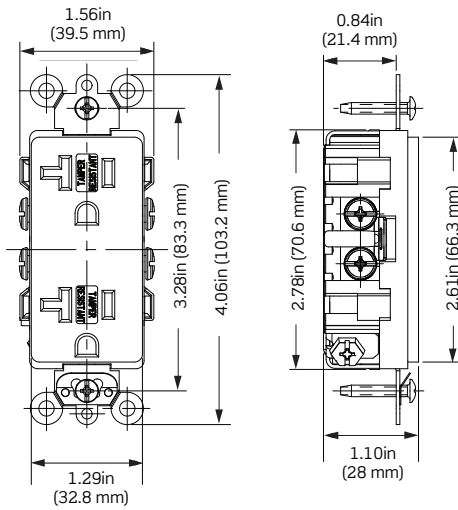
5262/5362-1P/2P



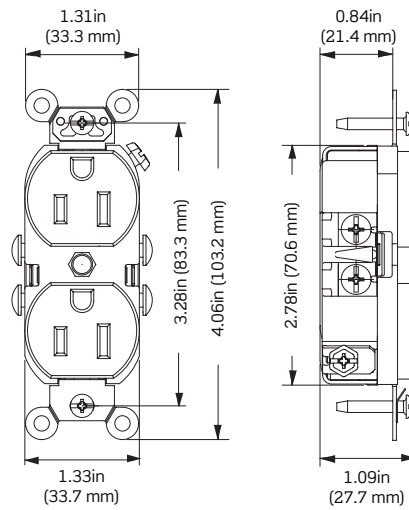
TBR15/TBR20-S1/S2



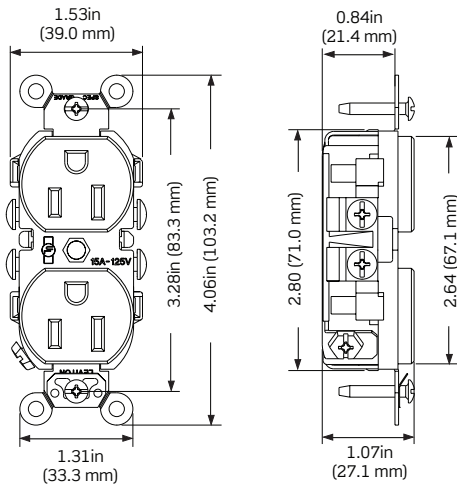
TDR15/TDR20-1P/2P



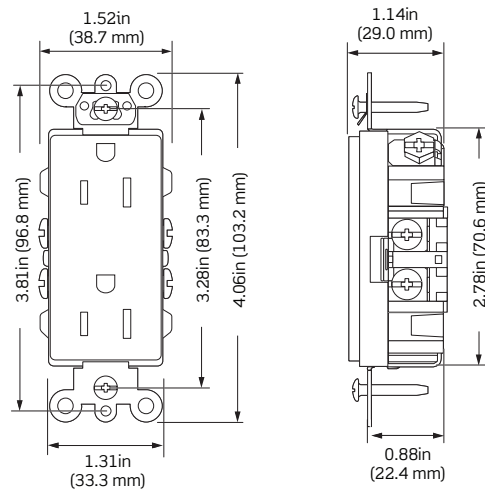
5262/5362-S1/S2



CR015/CR020-1P/2P



16252/16352-1P/2P



Visit our Website at:
www.leviton.com/industrial
 email: industrial@leviton.com

Leviton Manufacturing Co., Inc.
 201 N Service Rd, Melville, NY 11747
 Telephone: 1-800-323-8920 • FAX: 1-800-832-9538
 Tech Line (8:30AM-7:30PM E.S.T. Monday-Friday): 1-800-824-3005

© 2014 Leviton Manufacturing Co., Inc. All rights reserved.

030116

