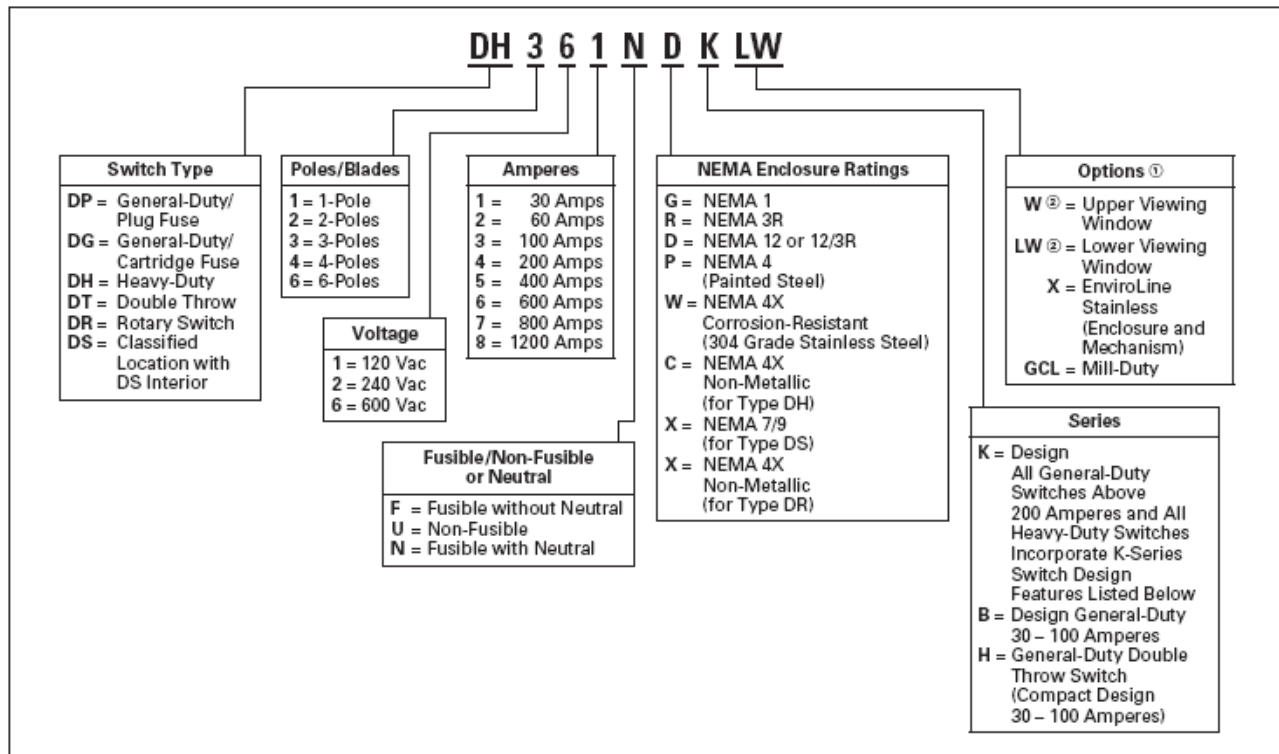


Product Selection

Product Selection

Table 8-38. Safety Switch Catalog Numbering System



① See Pages 8-8 through 8-11 for additional Flex Center options.

② Effective August 2003, 30 – 100 ampere window switches are replaced by a full view window which allows blade position verification and blown fuse indication. See Page 8-37 for catalog numbers.

Note: This table is intended for use in breaking down existing catalog numbers. It is not intended for building new catalog numbers.

Product Selection

120/240 Vac General-Duty, Fusible, Single Throw

Specifications

- 30 – 600 amperes.
- Suitable for service entrance applications unless otherwise noted.
- Horsepower rated.
- Bolt-on hub provision. Provided for general-duty switches in a NEMA 3R enclosure. See **Page 8-7** for selection.
- UL listed File No. E5239. Meets UL 98 for enclosed switches and NEMA Std. KS-1.
- 200 – 600 ampere switches incorporate K-Series design.



DP221NGB



DG321NRB

Table 8-40. 120/240 Vac General-Duty, Fusible, Single Throw

System	Ampere Rating	Fuse Type Provision	Maximum Horsepower Ratings ^①				NEMA 1 Enclosure Indoor		NEMA 3R Enclosure Rainproof	
			Single-Phase ac		3-Phase ac	dc	Catalog Number	Price U.S. \$	Catalog Number	Price U.S. \$
			120 Volt	240 Volt	240 Volt	250 Volt				

Fusible — Plug Type ^②

2-Wire (One Blade, One Fuse, S/N) — 120 Vac

	30	Plug (Type S, T or W)	1/2 – 2	—	—	—	DP111NGB		—	
--	----	-----------------------	---------	---	---	---	----------	--	---	--

3-Wire (Two Blades, Two Fuses, S/N) — 120/240 Vac

	30	Plug (Type S, T or W)	1/2 – 2	1-1/2 – 3	—	—	DP221NGB		Use cartridge-type fuse catalog number DG221NRB	
--	----	-----------------------	---------	-----------	---	---	----------	--	---	--

Fusible — Cartridge Type

2-Pole 2-Wire (Two Blades, Two Fuses) — 240 Vac

	30	—	—	1-1/2 – 3	3 – 7-1/2	—	③		③	
	60	—	—	3 – 10	7-1/2 – 15	—	③		③	
	100	—	—	7-1/2 – 15	15 – 30	—	③		③	
	200	—	—	15	25 – 60	—	③		③	
	400	H	—	—	50 – 125	—	DG225FGK ^{④⑤}		DG225FRK ^{④⑤}	
	600	H	—	—	75 – 200	—	DG226FGK ^{④⑤}		DG226FRK ^{④⑤}	

3-Wire (Two Blades, Two Fuses, S/N) — 120/240 Vac

	30	H	—	1-1/2 – 3	3 – 7-1/2 ^⑥	—	DG221NGB		DG221NRB	
	60	H	—	3 – 10	7-1/2 – 15 ^⑥	—	DG222NGB		DG222NRB	
	100	H	—	7-1/2 – 15	15 – 30 ^⑥	—	DG223NGB		DG223NRB	
	200	H	—	15	25 – 60 ^⑥	—	DG224NGK		DG224NRK	
	400	H	—	—	50 – 125 ^⑥	50	DG225NGK		DG225NRK	
	600	H	—	—	75 – 200 ^⑥	—	DG226NGK		DG226NRK	

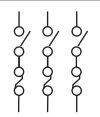
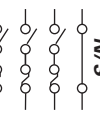
- ① Maximum hp ratings apply only when dual element time delay fuses are used.
- ② These switches do not have an interlock which prevents door from being opened when switch is in the ON position.
- ③ Use 3-wire catalog numbers below.
- ④ Solid neutral bars are not included. Order separately from **Table 8-1** on **Page 8-5**.
- ⑤ **WARNING!** Switch is not approved for service entrance unless a neutral kit is installed.
- ⑥ Grounded B phase rating, UL listed.

Note: All general-duty safety switches are individually packaged.

Note: Accessories are limited in scope on general-duty safety switches. See **Page 8-5** for availability. In addition, clear line shields are available as an accessory on 200 – 600 ampere general-duty switches. Catalog Numbers: 200 A = 70-7759-11, 400 A = 70-8063-8, 600 A = 70-8064-8.

120/240 Vac General-Duty, Fusible, Single Throw

Table 8-41. 120/240 Vac General-Duty, Fusible, Single Throw

System	Ampere Rating	Fuse Type Provision	Maximum Horsepower Ratings ^①				NEMA 1 Enclosure Indoor		NEMA 3R Enclosure Rainproof	
			Single-Phase ac		3-Phase ac	dc	Catalog Number	Price U.S. \$	Catalog Number	Price U.S. \$
			120 Volt	240 Volt	240 Volt	250 Volt				
3-Pole 3-Wire (Three Blades, Three Fuses) — 240 Vac										
	30	—	—	—	—	—	②	—	②	—
	60	—	—	—	—	—	②	—	②	—
	100	—	—	—	—	—	②	—	②	—
	200	—	—	—	—	—	②	—	②	—
	400	H	—	—	50 – 125	—	DG325FGK ^{③④}	—	DG325FRK ^{③④}	—
	600	H	—	—	75 – 200	—	DG326FGK ^{③④}	—	DG326FRK ^{③④}	—
4-Wire (Three Blades, Three Fuses, S/N) — 120/240 Vac										
	30	H	—	1-1/2 – 3	3 – 7-1/2	—	DG321NGB	—	DG321NRB	—
	60	H	—	3 – 10	7-1/2 – 15	—	DG322NGB	—	DG322NRB	—
	100	H	—	7-1/2 – 15	15 – 30	—	DG323NGB	—	DG323NRB	—
	200	H	—	15	25 – 60	—	DG324NGK	—	DG324NRK	—
	400	H	—	—	50 – 125	—	DG325NGK	—	DG325NRK	—
	600	H	—	—	75 – 200	—	DG326NGK	—	DG326NRK	—



- ① Maximum hp ratings apply only when dual element time delay fuses are used.
- ② Use 4-wire catalog numbers below.
- ③ Solid neutral bars are not included. Order separately from **Table 8-1** on **Page 8-5**.
- ④ **WARNING!** Switch is not approved for service entrance unless a neutral kit is installed.

120/240 Vac General-Duty, Non-Fusible, Single Throw



DG322URB

Table 8-42. 120/240 Vac General-Duty, Non-Fusible, Single Throw

System	Ampere Rating	Maximum Horsepower Ratings				NEMA 1 Enclosure Indoor		NEMA 3R Enclosure Rainproof	
		Single-Phase ac		3-Phase ac	dc	Catalog Number	Price U.S. \$	Catalog Number	Price U.S. \$
		120 Volt	240 Volt	240 Volt	250 Volt				
Non-Fusible — 2-Pole 2-Wire (Two Blades) — 240 Vac									
	30	2	3	—	—	DG221UGB ^⑤	—	DG221URB ^⑤	—
	60	3	10	—	—	DG222UGB ^⑤	—	DG222URB ^⑤	—
	100	—	15	—	—	DG223UGB ^⑤	—	DG223URB ^⑤	—
	200	—	—	—	—	⑤⑥	—	⑤⑥	—
3-Pole 3-Wire (Three Blades) — 240 Vac									
	30	2	3	7-1/2	—	DG321UGB ^⑤	—	DG321URB ^⑤	—
	60	3	10	15	—	DG322UGB ^⑤	—	DG322URB ^⑤	—
	100	—	15	30	—	DG323UGB ^⑤	—	DG323URB ^⑤	—
	200	—	15	60	—	DG324UGK ^⑤	—	DG324URK ^⑤	—
	400	—	—	125	—	DG325UGK ^⑦	—	DG325URK ^⑦	—
	600	—	—	200	—	DG326UGK ^⑦	—	DG326URK ^⑦	—

- ⑤ **WARNING!** Switch is not approved for service entrance unless a neutral kit is installed.
- ⑥ Use 3-wire catalog numbers below.
- ⑦ Drilled to accept field installed neutral kits.

Note: All general-duty safety switches are individually packaged.

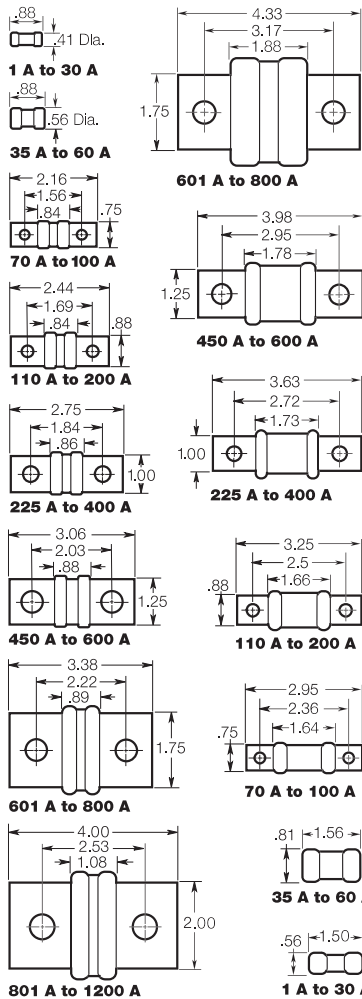
Note: Accessories are limited in scope on general-duty safety switches. See **Page 8-5** for availability. In addition, clear line shields are available as an accessory on 200 – 600 ampere general-duty switches. Catalog Numbers: 200 A = 70-7759-11, 400 A = 70-8063-8, 600 A = 70-8064-8.

Typical Fuse Dimensions

Class T

T-Tron™ Fuses

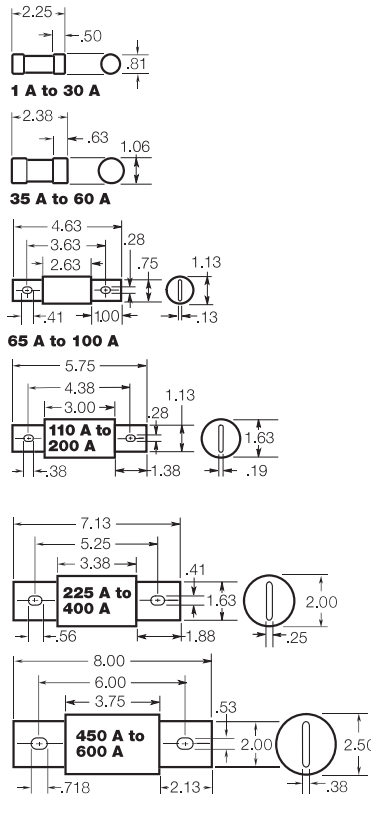
JJN (300 V) JJS (600 V)



Class J

Low-Peak® and Limitron® Fuses

LPJ & JKS (600 V)

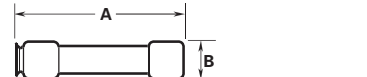


Class RK5 and RK1

Fusetron®, Low-Peak and

Limitron Fuses (250 and 600 V)
FRN-R and FRS-R; LPN-RK
and LPS-RK; KTN-R and KTS-R
Basic dimensions are same as Class H
(formerly NEC) ONE-TIME (NON and NOS)
and SUPERLAG Renewable RES and
REN fuses.

Note: These fuses can be used to replace
existing Class H, RK1 and RK5 fuses relating
to dimensional compatibility.



Ampere	250 V		600 V	
	A	B	A	B
1/10 – 30	2.00	.56	5.00	.81
35 – 60	3.00	.81	5.50	1.06



Fusetron and Limitron

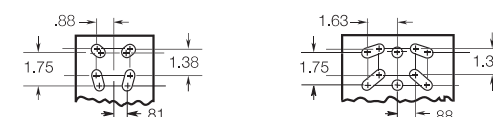
Ampere	250 V		600 V	
	A	B	A	B
70 – 100	5.88	1.06	7.88	1.34
110 – 200	7.13	1.56	9.63	1.84
225 – 400	8.63	2.06	11.63	2.59
450 – 600	10.38	2.59	13.38	3.13

Low-Peak

Ampere	250 V		600 V	
	A	B	A	B
70 – 100	5.88	1.16	7.88	1.16
110 – 200	7.13	1.66	9.63	1.66
225 – 400	8.63	2.38	11.63	2.38
450 – 600	10.38	2.88	13.38	2.88

Class L Low-Peak and Limitron Fuses

KRP-C, KTU & KLU (601 – 4000 A) (600 V)



Note: KRP-CL (150 A to 600 A) fuses
have same dimensions as 601 A to
800 A case size. KTU (200 A to 600 A)
have same dimensions, except tube
3-inch lgth. x 2-inch dia.; terminal
1.63-inch width x 1.25-inch thick.

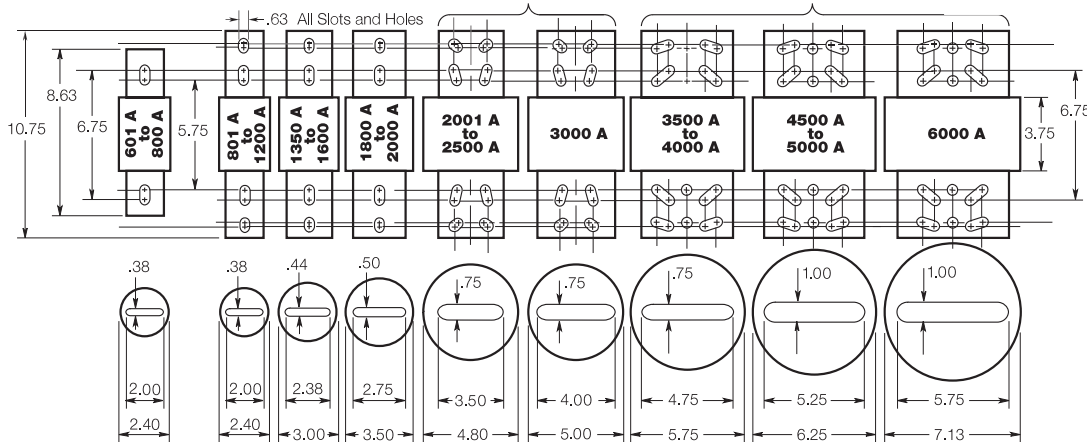
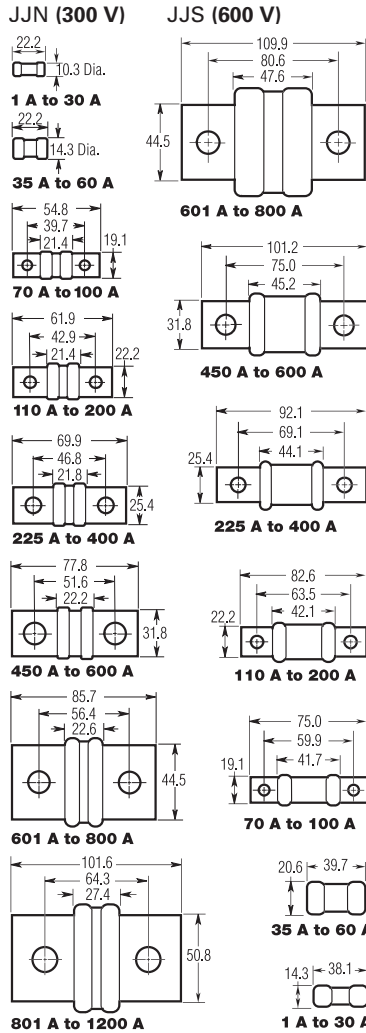


Figure 8-8. Typical Fuse Dimensions in Inches

Note: For typical fuse dimensions in millimeters, see Figure 8-9 on Page 8-23.

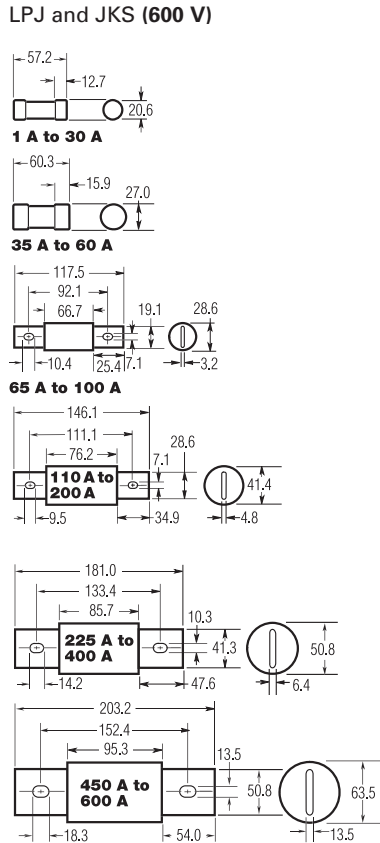
Class T

T-Tron Fuses



Class J

Low-Peak and Limitron Fuses



Class RK5 and RK1

Fusetron, Low-Peak and

Limitron Fuses (250 and 600 V)
FRN-R and FRS-R; LPN-RK and LPS-RK; KTN-R and KTS-R
Basic dimensions are same as Class H (formerly NEC ONE-TIME (NON and NOS) and SUPERLAG Renewable RES and REN fuses.

Note: These fuses can be used to replace existing Class H, RK1 and RK5 fuses relating to dimensional compatibility.

Ampere	250 V		600 V	
	A	B	A	B
1/10 - 30	50.8	14.3	127.0	20.6
35 - 60	76.2	20.6	139.7	27.0

Fusetron and Limitron

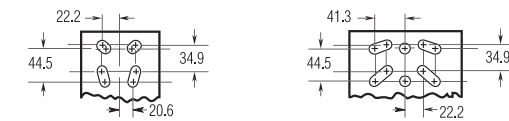
Ampere	250 V		600 V	
	A	B	A	B
70 - 100	149.2	26.9	200.0	34.0
110 - 200	181.0	39.6	244.5	46.7
225 - 400	219.1	52.3	295.3	65.8
450 - 600	263.5	65.8	339.7	79.5

Low-Peak

Ampere	250 V		600 V	
	A	B	A	B
70 - 100	149.2	29.5	200.0	29.5
110 - 200	181.0	42.2	244.5	42.2
225 - 400	219.1	60.5	295.3	60.5
450 - 600	263.5	73.2	339.7	73.2

Class L Low-Peak and Limitron Fuses

KRP-C, KTU and KLU (601 - 4000 A) (600 V)



Note: KRP-CL (150 A to 600 A) fuses have same dimensions as 601 A to 800 A case size. KTU (200 A to 600 A) have same dimensions, except tube 76.2 mm lgth. x 50.8 mm dia.; terminal 41.3 mm width x 31.8 mm thick.

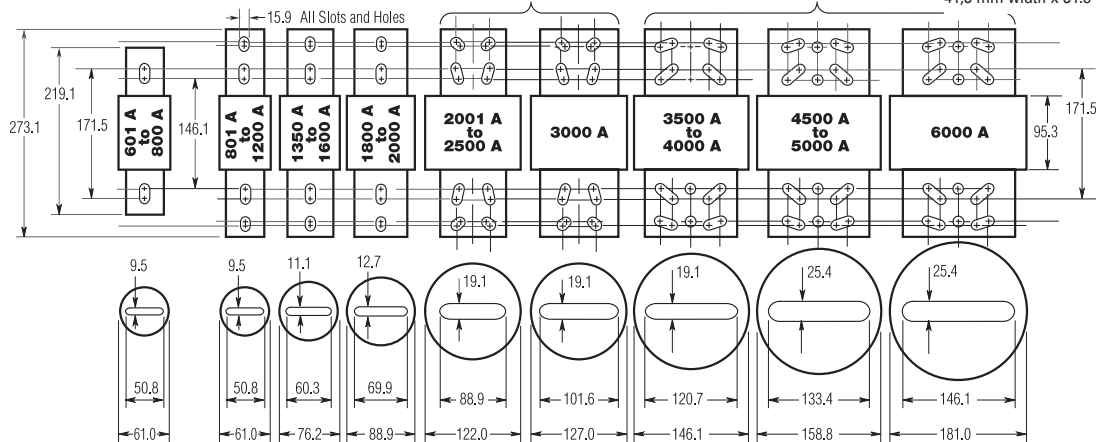


Figure 8-9. Typical Fuse Dimensions in Millimeters

Note: For typical fuse dimensions in inches, see **Figure 8-8** on **Page 8-22**.

Technical Data and Specifications

Dimensions

Table 8-26. General-Duty, Plug Fuse, 120, 120/240 Volt, 1-, 2-Pole Solid Neutral, Single Throw

Ampere Rating	NEMA 1				
	Dimensions in Inches (mm)				
	Height	Width	Depth		
30	6.88 (174.8)		4.94 (125.5)		3.44 (87.4)

Table 8-27. General-Duty, Non-Fusible, 240 Volt, 3-Pole, Single Throw

Ampere Rating	NEMA 1					NEMA 3R				
	Dimensions in Inches (mm)				Weight Lbs (kg)	Dimensions in Inches (mm)				Weight Lbs (kg)
	Width (W)	Height (H)	Depth (D)	Depth (D2)		Width (W)	Height (H)	Depth (D)	Depth (D2)	
30	6.38 (162.1)	10.69 (271.5)	6.88 (174.8)	3.75 (95.2)	6 (2.724)	6.38 (162.1)	10.81 (274.6)	6.88 (174.8)	3.75 (95.2)	6 (2.724)
60	8.69 (220.7)	14.19 (360.4)	7.38 (187.5)	4.21 (106.9)	9 (4.086)	8.69 (220.7)	14.38 (365.3)	7.38 (187.5)	4.21 (106.9)	9 (4.086)
100	9.13 (231.9)	18.81 (477.8)	7.38 (187.5)	4.23 (107.4)	12 (5.448)	9.13 (231.9)	19.25 (489.0)	7.38 (187.5)	4.23 (107.4)	12 (5.448)
200	16.00 (406.4)	25.25 (641.4)	11.25 (285.8)	6.14 (156.0)	48 (21.792)	16.00 (406.4)	25.50 (647.7)	11.25 (285.8)	6.14 (156.0)	55 (24.97)
400	23.00 (584.2)	44.75 (1136.7)	12.63 (320.8)	7.27 (184.7)	100 (45.4)	23.00 (584.2)	45.19 (1147.8)	12.63 (320.8)	7.27 (184.7)	105 (47.67)
600	24.00 (609.6)	52.25 (1327.2)	14.25 (362.0)	8.95 (227.3)	130 (59.02)	24.00 (609.6)	52.70 (1338.6)	14.25 (362.0)	8.95 (227.3)	135 (61.29)

Note: Dimensions are for estimating purposes only.

Table 8-28. General-Duty, Fusible, 240 Volt, 3-Pole Solid Neutral, Single Throw

Ampere Rating	NEMA 1					NEMA 3R				
	Dimensions in Inches (mm)				Weight Lbs (kg)	Dimensions in Inches (mm)				Weight Lbs (kg)
	Width (W)	Height (H)	Depth (D)	Depth (D2)		Width (W)	Height (H)	Depth (D)	Depth (D2)	
30	6.38 (162.1)	10.69 (271.5)	6.88 (174.8)	3.75 (95.2)	6 (2.724)	6.38 (162.1)	10.81 (274.6)	6.88 (174.8)	3.75 (95.2)	6 (2.724)
60	8.69 (220.7)	14.19 (360.4)	7.38 (187.5)	4.21 (106.9)	10 (4.54)	8.69 (220.7)	14.38 (365.3)	7.38 (187.5)	4.21 (106.9)	10 (4.54)
100	9.13 (231.9)	18.81 (477.8)	7.38 (187.5)	4.23 (107.4)	14 (6.356)	9.13 (231.9)	19.25 (489.0)	7.38 (187.5)	4.23 (107.4)	14 (6.356)
200	16.00 (406.4)	24.75 (628.7)	11.25 (285.8)	6.14 (156.0)	48 (21.792)	16.00 (406.4)	25.50 (647.7)	11.25 (285.8)	6.14 (156.0)	55 (24.97)
400	23.00 (584.2)	44.75 (1136.7)	12.63 (320.8)	7.27 (184.7)	110 (49.94)	23.00 (584.2)	45.19 (1147.8)	12.63 (320.8)	7.27 (184.7)	115 (52.21)
600	24.00 (609.6)	52.25 (1327.2)	14.25 (362.0)	8.95 (227.3)	145 (65.83)	24.00 (609.6)	52.70 (1338.6)	14.25 (362.0)	8.95 (227.3)	150 (68.1)

Note: Dimensions are for estimating purposes only.

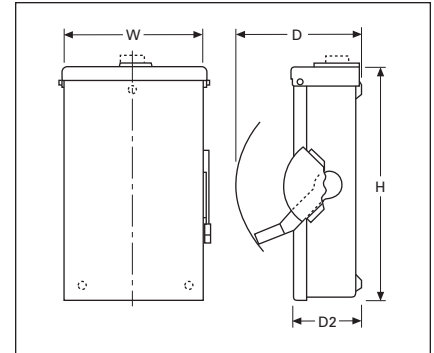


Figure 8-1. NEMA 1-3R 30 – 100 Amperes General-Duty Non-Fusible and Fusible Single Throw

Note: Figure is not applicable to plug fuse.

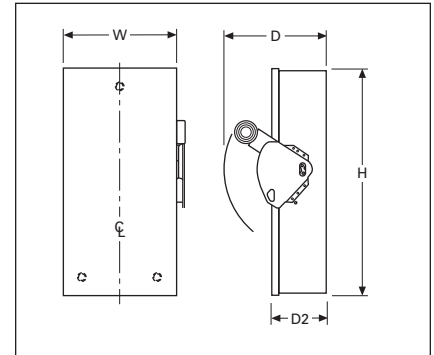


Figure 8-2. NEMA 1-3R 200 – 600 Amperes General-Duty Non-Fusible and Fusible Single Throw