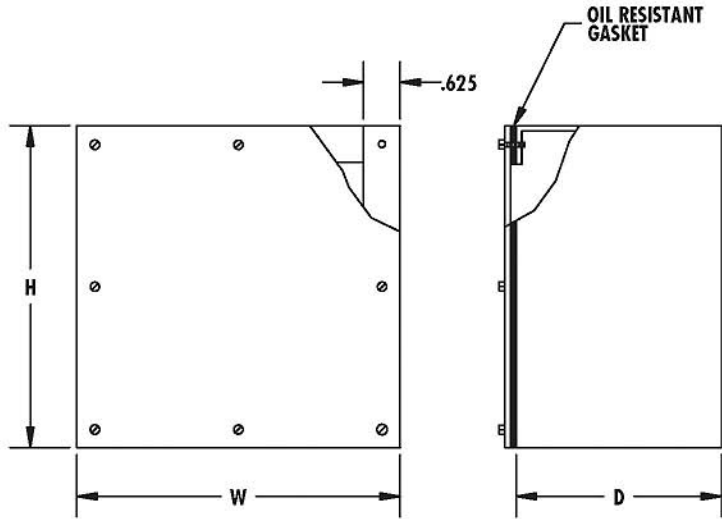




TYPE 3 & TYPE 12 ALUMINUM SCREW COVER "GASKETED" BOXES

TYPE 3



CONSTRUCTION:

- TYPE 5052 H-32.080 ALUMINUM
- SEAMS CONTINUOUSLY WELDED AND GROUND SMOOTH
- REMOVABLE COVER FASTENED WITH STAINLESS STEEL SCREWS
- PROVIDED WITH MOUNTING FEET

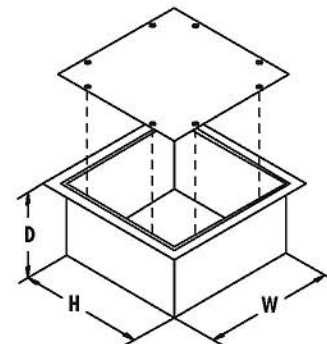
FINISH:

- ENCLOSURES HAVE BRUSHED FINISH

Enclosure Size HxWxD	Catalog Number	Weight
6x6x4	A664SG	1.4
8x6x4	A864SG	1.8
8x8x4	A884SG	2.2
10x8x4	A1084SG	2.6
10x10x4	A10104SG	3
12x12x4	A12124SG	4
8x8x6	A886SG	2.8
10x8x6	A1086SG	3.3
12x10x6	A12106SG	4.3
12x12x6	A12126SG	4.8
18x12x6	A18126SG	7
24x18x6	A24186SG	11
24x24x6	A24246SG	14
12x12x8	A12128SG	6
18x18x8	A18188SG	9
24x24x8	A24248SG	15

TYPE 3 GASKETED FLUSH MOUNTED HEAVY DUTY FLOOR BOXES

Enclosure Size HxWxD	Catalog Number	Weight
6x6x4	664FB	12
8x8x4	884FB	16
12x12x6	12126FB	33
18x18x6	18186FB	64
24x24x6	24246FB	88



FOR LARGE QUANTITIES CALL FACTORY