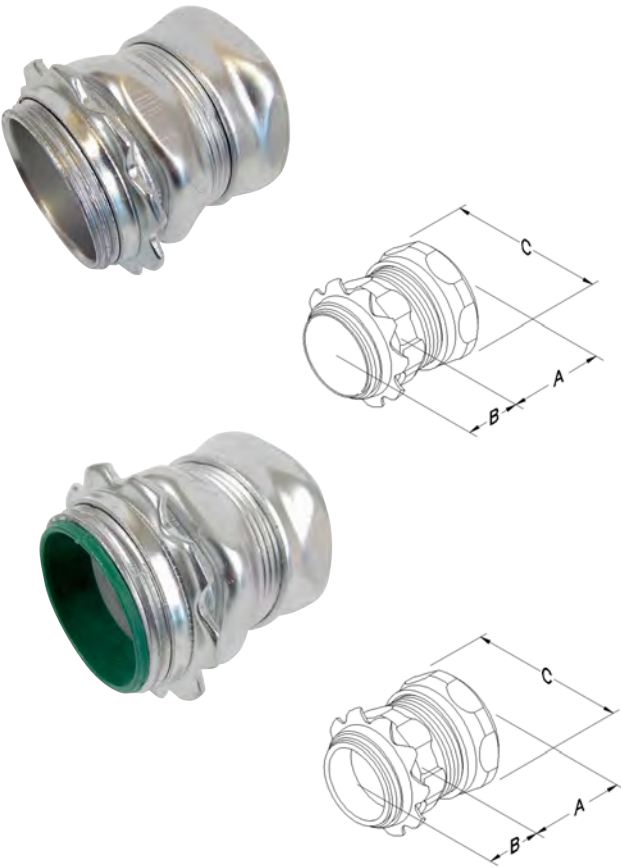


Steel Compression Connectors



Features

- Male hub threads - NPSM
- Steel locknuts
- Heavy steel walls
- Concrete tight
- UL listed for Steel & Aluminum EMT Conduit
- RoHS compliant

Standard Materials: Steel

Standard Finish: Zinc Plated

Applicable Third Party Standards

- UL Standard: 514B
- Fed. Spec. A-A-50553
- NEMA: FB-1
- UL Listed File # E172239

AFC FITTINGS • EMT

Product Code	Catalog Number	Weight per/C	Trade Size	Dimensions in Inches			Carton Count	
				A	B	C	Inner	Master
Steel Compression Connectors								
0202-24-00	CC-50	10.6	1/2"	0.625	0.500	1.125	50	500
0203-22-00	CC-75	17.0	3/4"	0.688	0.500	1.375	25	250
0204-20-00	CC-100	22.7	1"	0.688	0.563	1.688	20	200
0205-10-00	CC-125	40.6	1 1/4"	0.938	0.688	2.063	10	100
0206-10-00	CC-150	49.9	1 1/2"	1.063	0.688	2.250	10	100
0207-05-00	CC-200	66.8	2"	1.125	0.750	2.750	5	50
0208-08-00	CC-250	176.8	2 1/2"	1.688	0.813	3.625	-	8
0209-06-00	CC-300	234.3	3"	1.688	0.938	4.250	-	6
0210-04-00	CC-350	287.3	3 1/2"	1.813	1.000	4.688	-	4
0211-04-00	CC-400	342.6	4"	1.813	1.000	5.188	-	4
Insulated Throat								
0212-24-00	CCI-50	10.7	1/2"	0.625	0.500	1.125	50	500
0213-22-00	CCI-75	17.1	3/4"	0.688	0.500	1.375	25	250
0214-20-00	CCI-100	22.9	1"	0.688	0.563	1.688	20	200
0215-10-00	CCI-125	41.0	1 1/4"	0.938	0.688	2.063	10	100
0216-10-00	CCI-150	50.4	1 1/2"	1.063	0.688	2.250	10	100
0217-05-00	CCI-200	67.4	2"	1.125	0.750	2.750	5	50
0218-08-00	CCI-250	178.1	2 1/2"	1.688	0.813	3.625	-	8
0219-06-00	CCI-300	235.7	3"	1.688	0.938	4.250	-	6
0220-04-00	CCI-350	289.1	3 1/2"	1.813	1.000	4.688	-	4
0221-04-00	CCI-400	344.9	4"	1.813	1.000	5.188	-	4