

EV LED Series Explosionproof LED Luminaires

Cl. I, Div. 1, Groups C, D
Cl. I, Zones 1 & 2, Group IIB
Cl. II, Groups E, F, G
Cl. III & Simultaneous Presence

UL Listed
cUL Listed (Certified by UL to CSA Standards)
Marine & Wet Locations
Type 4X, IP66

2L

2L

EV LED Series Luminaires are designed to provide durable and energy-efficient lighting in a variety of applications. Incandescent and HID general illumination models are available, along with a wildlife-friendly model and optional DC input voltage.

Model	Equivalent Luminaire	Typical Energy Savings
201	100W-200W incandescent	Up to 85%
701	70W-100W HID	

Applications:

- Two lumen outputs for replacement of existing HID and incandescent luminaires
- Locations requiring continuous and consistent light levels in extreme ambient temperatures
- Areas requiring frequent on-and-off of lights
- Where flammable vapors, gases, ignitable dusts, fibers or flyings are present; indoors or outdoors
- Where extremely corrosive, wet, dusty, hot and/or cold conditions exist
- Type 4X, marine, wet locations and hose down environments
- Manufacturing plants, heavy industrial, chemical, petrochemical or pharmaceutical facilities, platforms, loading docks, tunnels, outdoor wall and stanchion mounted general area lighting

Certifications and Compliances:

NEC/CEC:

- Class I, Division 1, Groups C, D
- T6 temperature rating at 55°C
- Class I, Zones 1 & 2, Group IIB
- Class II, Groups E, F, G
- Marine and wet locations, Type 4X, IP66
- UL Listed
- cUL Listed (certified by UL to CSA standards)

NEC:

- Class III, Simultaneous Presence

UL Standards:

- UL844 – Electric Fixture Hangers for Hazardous Locations
- UL1598 – Luminaire
- UL1598A – Luminaire for Installation on Marine Vessels

CSA Standard:

- C22.2 No. 137

Features:

- Instant illumination and re-strike
- Better visibility with crisp, white light
- T6 temperature rating – safely operate in the most hazardous environments
- Cold temperature operation/no warm-up required
- Easy installation – compact modular fixture attaches onto existing Champ® mounting module
- Energy-efficient – up to 85% reduction in energy used
- Provides up to 50,000 hours rated life – eliminates need for frequent lamp replacement
- Contains no mercury or other hazardous substances
- Shock- and vibration-resistant solid-state luminaires have no filaments or glass components that could break – greatly reduces the risk of premature failure
- Operating ambient: -30°C to 55°C (AC), -30°C to 40°C (DC)

Standard Materials:

- Body, mounting modules and guard – copper-free aluminum with Corro-free™ epoxy powder coat
- Globe – heat and impact-resistant glass
- Gaskets – silicone
- External hardware – stainless steel

LED System:

- High brightness light emitting diode (LED) arrays
- Color temperature: 3000K (CRI 82) and 5600K (CRI 65) options available
- Amber color available for wildlife-friendly applications
- Advanced heat sink design ensures LED does not exceed manufacturer's temperature ratings across all specified ambient conditions
- LM-79 and LM-80 reports available

Electrical Ratings:

	C201	C701	A201	C201/DC
Voltage Range	100-277V	100-277V	100-277V	10-30 VDC
Frequency	50/60 Hz	50/60 Hz	50/60 Hz	50/60 Hz
Input Power	30W	36W	36W	26W
Input Amps (Max.)	0.30A	0.36A	0.36A	2.8A
Power Factor	0.98	0.99	0.98	0.99



Photometrics:

- Complete photometrics can be found at www.crouse-hinds.com/photometrics

EV LED Series Explosionproof LED Luminaires

Factory-sealed
Improve safety, reliability and energy efficiency

Cl. I, Div. 1, Groups C, D
 Cl. I, Zone 1 & 2, Group IIB
 Cl. II, Groups E, F, G
 Cl. III, Simultaneous Presence

UL Listed
 cUL Listed (certified by UL to CSA standards)
 T6 temperature rating at 55°C
 Marine and wet locations
 Type 4X, IP66

2L

Ordering Information:

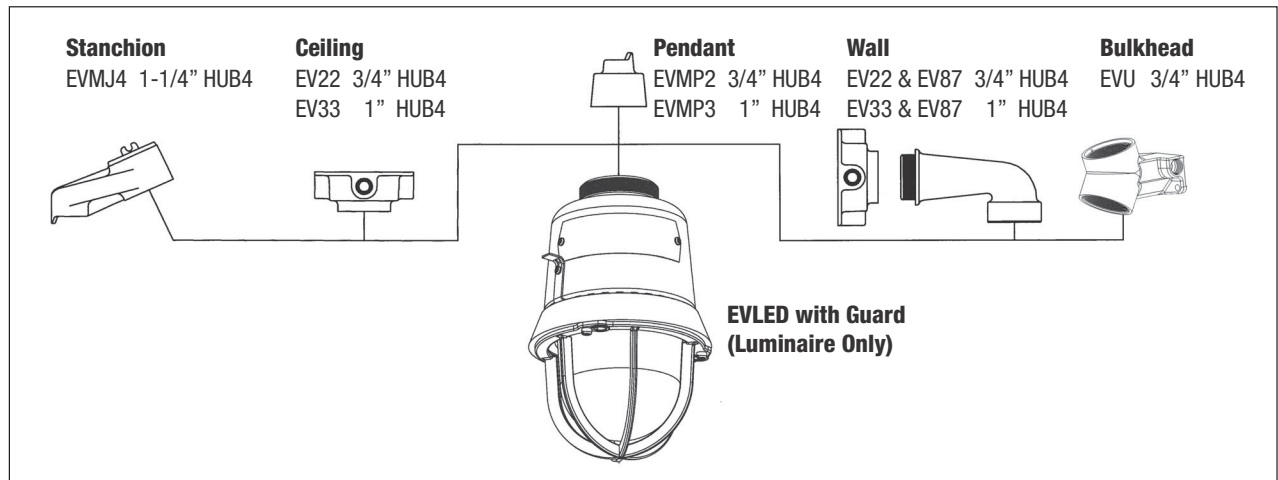
Mounting Style	Cool Color Temperature		Warm Color Temperature		Wildlife Friendly
	C201	C701	W201	W701	A201
Luminaire Only	EVLEDC201	EVLEDC701	EVLEDW201	EVLEDW701	EVLEDA201
3/4" Pendant	EVLEDA2C201	EVLEDA2C701	EVLEDA2W201	EVLEDA2W701	EVLEDA2A201
1" Pendant	EVLEDA3C201	EVLEDA3C701	EVLEDA3W201	EVLEDA3W701	EVLEDA3A201
3/4" Ceiling Mount Thru Feed	EVLEDCX2C201	EVLEDCX2C701	EVLEDCX2W201	EVLEDCX2W701	EVLEDCX2A201
1" Ceiling Mount Thru Feed	EVLEDCX3C201	EVLEDCX3C701	EVLEDCX3W201	EVLEDCX3W701	EVLEDCX3A201
3/4" Wall Mount Thru Feed	EVLEDBX2C201	EVLEDBX2C701	EVLEDBX2W201	EVLEDBX2W701	EVLEDBX2A201
1" Wall Mount Thru Feed	EVLEDBX3C201	EVLEDBX3C701	EVLEDBX3W201	EVLEDBX3W701	EVLEDBX3A201
3/4" Bulkhead Mount	EVLEDBH2C201	EVLEDBH2C701	EVLEDBH2W201	EVLEDBH2W701	EVLEDBH2A201
1 1/4" Stanchion	EVLEDJ4C201	EVLEDJ4C701	EVLEDJ4W201	EVLEDJ4W701	EVLEDJ4A201

To order a fixture without a guard, remove '1' from the end of the catalog number (Example: EVLEDAC20 for 3/4" Pendant, No Guard).

To order a fixture with 10-30VDC Input Voltage (available on 20 Series Only), add /DC to the end of the catalog number (Example: EVLEDAC201/DC).

To order a fixture with colored inserts (available on C20 Series Only), add a "G" (for green) or "R" (for red) to the end of the catalog number (Example: EVLEDAC201G).

Family Tree:



2L

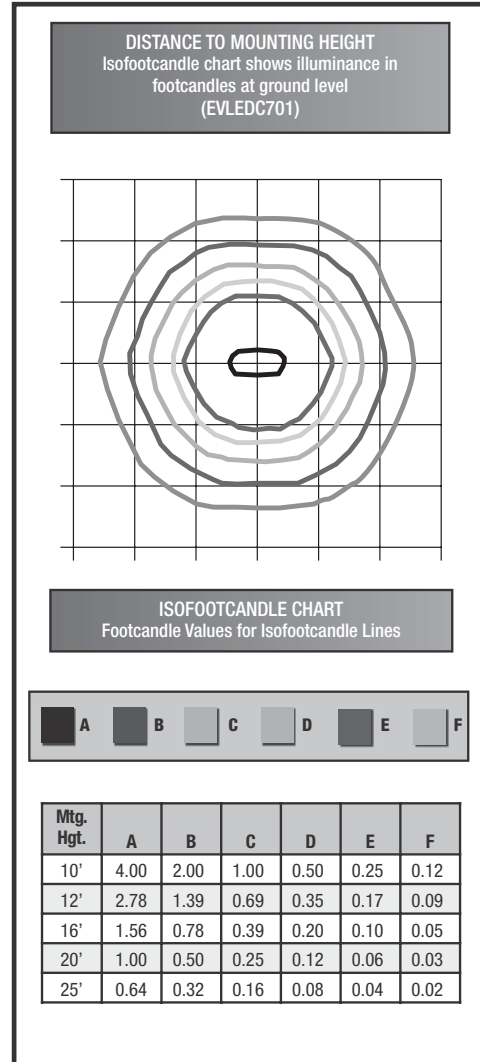
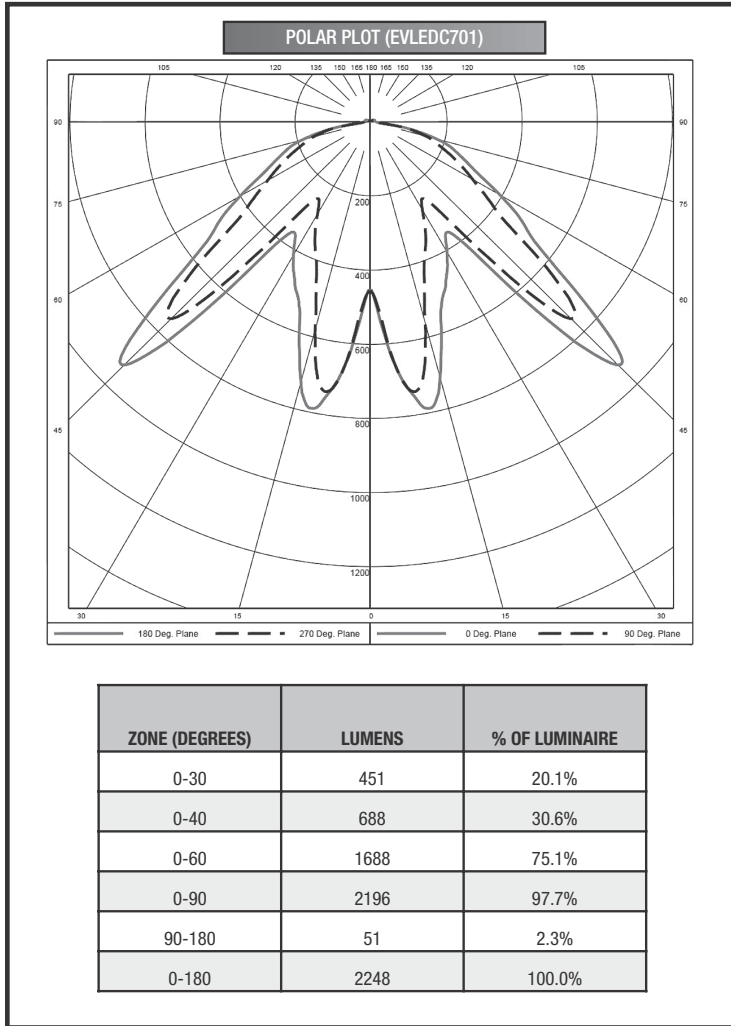
2L EV LED Series Explosionproof LED Luminaires

Factory-sealed
Improve safety, reliability and energy efficiency

Cl. I, Div. 1, Groups C, D
 Cl. I, Zone 1 & 2, Group IIB
 Cl. II, Groups E, F, G
 Cl. III, Simultaneous Presence

UL Listed
 cUL Listed (certified by UL to CSA standards)
 T6 temperature rating at 55°C
 Marine and wet locations
 Type 4X, IP66

Photometrics:



LUMEN OUTPUT FOR OTHER EV LED LUMINAIRES

Luminaire Series	System Watts	Lumens
C201	30W	1670
A201	36W	1195
C201/DC	26W	1493

2L

EV LED Series Explosionproof LED Luminaires

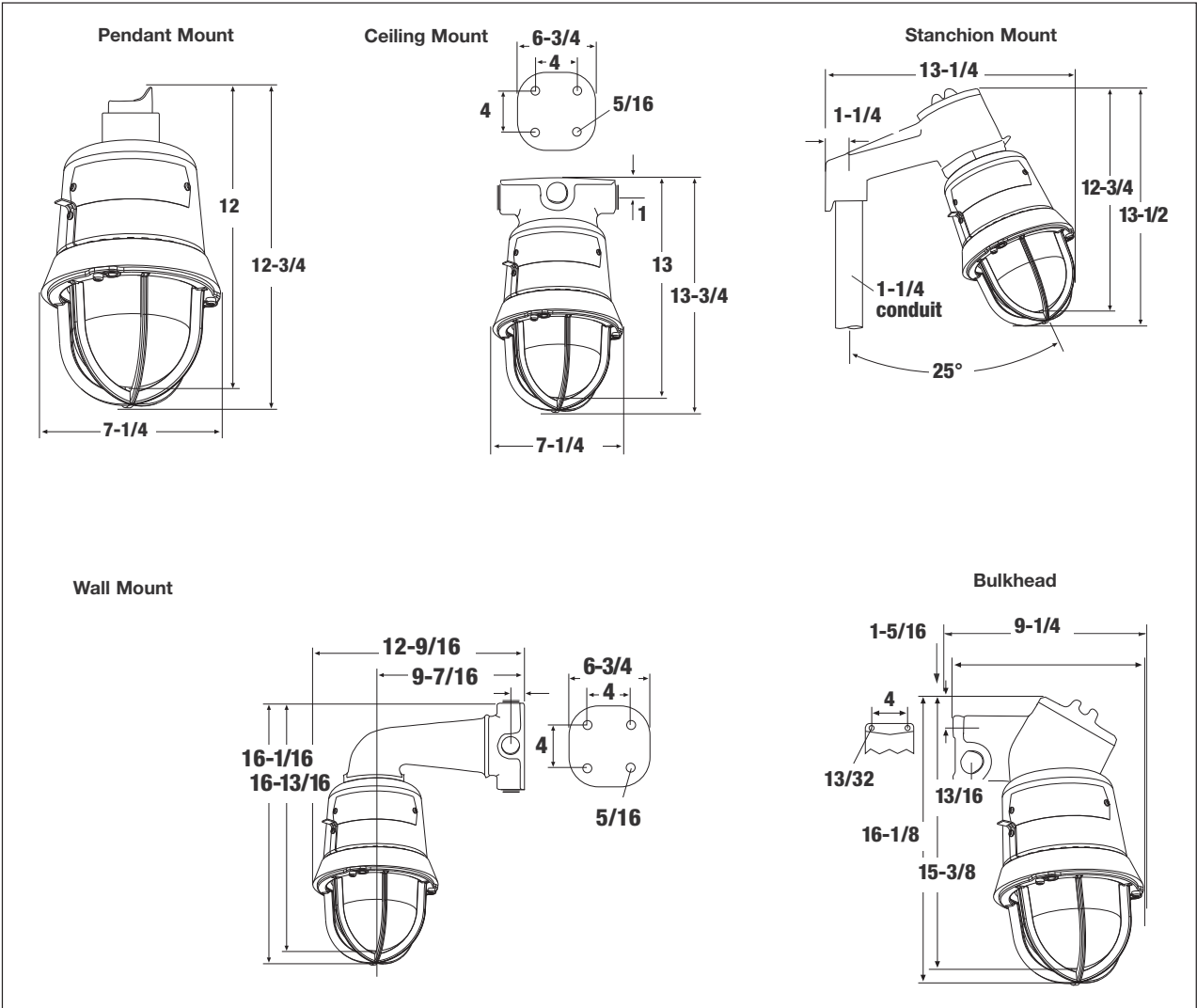
Factory-sealed
Improve safety, reliability and energy efficiency

Cl. I, Div. 1, Groups C, D
 Cl. I, Zone 1 & 2, Group IIB
 Cl. II, Groups E, F, G
 Cl. III, Simultaneous Presence

UL Listed
 cUL Listed (certified by UL to CSA standards)
 T6 temperature rating at 55°C
 Marine and wet locations
 Type 4X, IP66

2L

Dimensions (inches):



Net Weight (lbs.):

EV LED with Guard

11 lbs.

Add Mounting Modules:

Pendant
 Ceiling
 Wall
 Bulkhead
 Stanchion

1.0 lbs.
 2.0 lbs.
 4.5 lbs.
 2.2 lbs.
 2.5 lbs.

2L