

## Hazardous Location Fittings — PVC-Coated STAR TECK EXTREME® Fittings

Specially designed for hazardous locations!

### OCAL-BLUE Double-Coat STAR TECK EXTREME® STEX Series Fittings for Hazardous Locations

- Offers all the features of the STE Series
- Classified for Class I, Division 1, Groups A, B, C, D and Class II, Division 1, Groups E, F, G environments with approved metal-clad cable installed in accordance with NEC/CEC requirements•
- Requires T&B® sealing compound for use in hazardous locations



Ocal® Corrosion Protection for Electrical Conduit and Fittings

#### PVC-Coated STEX Series Fittings for Hazardous Locations

CAT. NO.	HUB SIZE IN. METRIC SIZE DESIGNATOR**	STRIP LENGTH IN. MM	GLAND TORQUE LB.-IN. NM	RANGE OVER JACKET		RANGE OVER ARMOR		A1: THROAT DIA. MIN. W/END STOP	A2: THROAT DIA. MIN. W/O END STOP	B OVERALL HEIGHT	C MAX. WIDTH
				MIN. IN. MM	MAX. IN. MM	MIN. IN. MM	MAX. IN. MM	IN. MM	IN. MM	IN. MM	IN. MM
STX050-462-_*	½	1.25	300	.53	.65	.42	.57	N/A***	.40	2.50	1.63
	16	31.75	33.90	13.46	16.51	10.67	14.48	N/A***	10.16	63.50	41.40
STX050-464-_*	½	1.25	300	.60	.76	.49	.68	N/A***	.49	2.53	1.63
	16	31.75	33.90	15.24	19.30	12.45	17.27	N/A***	12.45	64.26	41.40
STEX075-_*	¾	1.25	600	.60	.99	.52	.90	.50	.68	3.40	1.82
	21	31.75	67.79	15.24	25.15	13.21	22.86	12.70	17.27	86.36	46.23
STEX100-_*	1	1.25	700	.86	1.21	.78	1.13	.65	.83	3.58	2.30
	27	31.75	79.09	21.84	30.73	19.81	28.70	16.51	21.08	90.93	58.42
STEX125-_*	1¼	1.25	1000	.95	1.38	.87	1.30	.83	1.07	3.92	2.51
	3	31.75	112.98	24.13	35.05	22.10	33.02	21.08	27.18	99.57	63.75
STEX150-_*	1½	1.75	1200	1.15	1.63	.99	1.47	.96	1.27	5.02	3.26
	41	44.45	135.58	29.21	41.40	25.15	37.34	24.38	32.26	127.51	82.80
STEX200-_*	2	1.75	1600	1.44	1.97	1.28	1.81	1.25	1.56	5.12	3.62
	53	44.45	180.78	36.58	50.04	32.51	45.97	31.75	39.62	130.05	91.95
STEX250-†	2½	2.50	1600	1.83	2.38	1.67	2.22	1.64	2.00	5.17	4.58
	63	63.50	180.78	46.48	60.45	42.42	56.39	41.66	50.80	131.32	116.33
STEX300-†	3	2.50	1600	2.27	2.81	2.11	2.68	2.08	2.46	6.61	5.10
	78	63.50	180.78	57.66	71.37	53.59	68.07	52.83	62.48	167.89	129.54
STEX350-†	3½	2.50	1600	2.67	3.27	2.55	3.15	2.53	2.86	7.38	5.79
	91	63.50	180.78	67.82	83.06	64.77	80.01	64.26	72.64	187.45	147.07
STEX400-†	4	2.50	1600	3.22	3.87	3.09	3.64	3.06	3.46	7.65	6.19
	103	63.50	180.78	81.79	98.30	78.49	92.46	77.72	87.88	194.31	157.23
STEX400-484-†	4	—	1600	3.81	4.03	3.68	3.87	—	—	—	—
	103	—	180.78	96.77	102.36	93.47	98.30	—	—	—	—
STEX400-485-†	4	—	1600	3.97	4.19	3.84	4.03	—	—	—	—
	103	—	180.78	100.84	106.43	97.54	102.36	—	—	—	—

\* These products are UL Listed UL84H3 and watertight NEMA Type 6P.

\*\*\* This fitting does not have a removable armor stop.

• Ratings prior to PVC coating.

\*\* Metric size designator (ANSI C80.1-1994).

† CSA approved for hazardous locations.

#### T&B® Sealing Compounds — Used for Hazardous Locations

CAT. NO.	DESCRIPTION	VOLUME
SC4-KIT	Liquid-Type Sealing Compound for use in Control Cable Applications	2.8 fl. oz.
SC65	Putty-Type Sealing Compound	60 grams

# Ocal®

## Hazardous Location Fittings — PVC-Coated Conduit Boxes

Provides access to wiring, directional changes in conduit and more!

### OCAL-BLUE Double-Coat GUA Series Conduit Boxes



GUA

#### Listings / Certifications†

- UL514A Wet Locations (when used with gasketed covers)
- UL886
- CSA C22.2 No. 30

GUA series conduit boxes are installed in hazardous areas to protect conductors, act as pull and splice boxes, provide access to conductors for maintenance and future system changes, act as mounting outlets for fixtures (with proper covers) or change conduit direction.

- Grade 60-45-10 ductile iron bodies and cast aluminum covers (iron covers also available)
- Nominal .002" (2 mil) blue urethane coating on both interior and exterior and nominal .040" (40 mil) PVC coating bonded to exterior
- All hubs have minimum 5 full threads, integral bushing and pressure-sealing sleeves
- All units furnished with internal grounding screw and ship complete with aluminum cover with O-ring gasket (covers also sold separately for replacement purposes)
- Explosion-proof, dust-ignition proof, raintight and suitable for use in the following environments:†
  - Class I, Division 1 & 2, Groups C, D
  - Class II, Division 1, Groups E, F, G
  - Class III, Division 1 & 2
  - NEMA 3, 4, 7 CD, 9 EFG



GUAB



GUAC



GUAT



GUAX



CAT. NO.					ALUMINUM COVER ONLY	IRON COVER ONLY	PIPE SIZE IN. METRIC SIZE DESIGNATOR*	COVER OPENING IN. MM
GUA	GUAC	GUAT	GUAX	GUAB				
GUA14-	GUAC14-	GUAT14-	GUAX14-	GUAB14-	GUA04-	GUA04WOD-	½ 16	2.00 50.80
GUA24-	GUAC24-	GUAT24-	GUAX24-	GUAB24-	GUA04-	GUA04WOD-	¾ 21	2.00 50.80
GUA16-	GUAC16-	GUAT16-	GUAX16-	GUAB16-	GUA06-	GUA06WOD-	½ 16	3.00 76.20
GUA26-	GUAC26-	GUAT26-	GUAX26-	GUAB26-	GUA06-	GUA06WOD-	¾ 21	3.00 76.20
GUA36-	GUAC36-	GUAT36-	GUAX36-	GUAB36-	GUA06-	GUA06WOD-	1 27	3.00 76.20
—	—	GUAT37-	GUAX37-	—	GUA07-	GUA07WOD-	1 27	3.63 92.20
GUA47-	GUAC47-	GUAT47-	GUAX47-	GUAB47-	GUA07-	GUA07WOD-	1¼ 35	3.63 92.20
—	GUAC49-	GUAT49-	GUAX49-	—	GUA09-	GUA09WOD-	1¼ 35	5.00 127.00
GUA59-	GUAC59-	GUAT59-	GUAX59-	GUAB59-	GUA09-	GUA09WOD-	1½ 41	5.00 127.00
—	GUAC69-	GUAT69-	GUAX69-	GUAB69-	GUA09-	GUA09WOD-	2 53	5.00 127.00

\* Metric size designator (ANSI C80.1-1994).

† Ratings prior to PVC coating.

Ocal® Corrosion Protection for Electrical Conduit and Fittings

## Hazardous Location Fittings — PVC-Coated Conduit Boxes

### OCAL-BLUE Double-Coat GUA Series Conduit Boxes (continued)



GUAD



GUAL



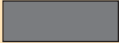


GUAM



GUAN



GUAW

Cat. No.	Color
<b>GUA 14 - _</b>	
_ = space for color identifier	
<b>G</b> = Gray	
<b>W</b> = White	
<b>B</b> = Blue	
Custom colors also available.	



CAT. NO.					ALUMINUM COVER ONLY	IRON COVER ONLY	PIPE SIZE IN. METRIC SIZE DESIGNATOR*	COVER OPENING IN. MM
GUAD	GUAL	GUAM	GUAN	GUAW	GUA04-	GUA04WOD-	½	2.00
GUAD14-	GUAL14-	GUAM14-	GUAN14-	GUAW14-	GUA04-	GUA04WOD-	16	50.80
GUAD24-	GUAL24-	GUAM24-	GUAN24-	GUAW24-	GUA04-	GUA04WOD-	¾	2.00
GUAD24-	GUAL24-	GUAM24-	GUAN24-	GUAW24-	GUA04-	GUA04WOD-	21	50.80
GUAD16-	GUAL16-	GUAM16-	GUAN16-	GUAW16-	GUA06-	GUA06WOD-	½	3.00
GUAD16-	GUAL16-	GUAM16-	GUAN16-	GUAW16-	GUA06-	GUA06WOD-	16	76.20
GUAD26-	GUAL26-	GUAM26-	GUAN26-	GUAW26-	GUA06-	GUA06WOD-	¾	3.00
GUAD26-	GUAL26-	GUAM26-	GUAN26-	GUAW26-	GUA06-	GUA06WOD-	21	76.20
GUAD36-	GUAL36-	GUAM36-	GUAN36-	—	GUA06-	GUA06WOD-	1	3.00
—	GUAL47-	GUAM47-	GUAN47-	—	GUA07-	GUA07WOD-	27	76.20
—	GUAL47-	GUAM47-	GUAN47-	—	GUA07-	GUA07WOD-	1¼	3.63
—	GUAL47-	GUAM47-	GUAN47-	—	GUA07-	GUA07WOD-	35	92.20
GUAD49-	GUAL49-	—	—	—	GUA09-	GUA09WOD-	1¼	5.00
GUAD49-	GUAL49-	—	—	—	GUA09-	GUA09WOD-	35	127.00
—	GUAL59-	—	GUAN59-	—	GUA09-	GUA09WOD-	1½	5.00
—	GUAL59-	—	GUAN59-	—	GUA09-	GUA09WOD-	41	127.00
—	GUAL69-	GUAM69-	GUAN69-	—	GUA09-	GUA09WOD-	2	5.00
—	GUAL69-	GUAM69-	GUAN69-	—	GUA09-	GUA09WOD-	53	127.00

\* Metric size designator (ANSI C80.1-1994).

Ocal® Corrosion Protection for Electrical Conduit and Fittings

# Ocal®

## Hazardous Location Fittings — PVC-Coated Aluminum Conduit Boxes

Junction boxes for branch conduits in hazardous locations.

### OCAL-BLUE Double-Coat External Hubs with Covers and Installed Green Ground Screw

Ocal® Corrosion Protection for Electrical Conduit and Fittings



GAC



GAE



GAL



GALB



GAT

- Accessible wiring chamber provides a convenient location to maintain or change a system, pull conductors and make splices
- Unique mounting pads and rugged protective housing ideal for installation of OEM devices or instruments
- Die-cast copper-free aluminum alloy A360 construction with precision cast and machined surfaces
- Precision NPT threaded hubs for trouble-free field installation
- Nominal .002" (2 mil) blue urethane coating on both interior and exterior and nominal .040" (40 mil) PVC coating bonded to exterior
- Explosion-proof, dust-ignition proof, raintight and suitable for use in the following environments:††
  - Class I, Division 1 & 2, Groups C, D
  - Class II, Division 1, Groups E, F, G
  - Class III, Division 1 & 2
  - NEMA 3, 4, 7 CD, 9 EFG (NEMA 4 rated when ordered with O-ring installed)



CAT. NO.						PIPE SIZE IN. METRIC SIZE DESIGNATOR*	COVER OPENING IN. MM
THROUGH-FEED W/SURF. COVER GAC	DEAD END W/SURF. COVER GAE	L-STYLE W/SURF. COVER GAL	LB-STYLE W/SURF. COVER GALB	T-STYLE W/SURF. COVER GAT	SURFACE COVER ONLY GAS		
GAC-1-†	GAE-1-†	GAL-1-†	GALB-1-†	GAT-1-†	GAS-123-•	½	3.69
						16	93.73
GAC-2-†	GAE-2-†	GAL-2-†	GALB-2-†	GAT-2-†	GAS-123-•	¾	3.69
						21	93.73
GAC-3-†•	GAE-3-†•	GAL-3-†•	GALB-3-†	GAT-3-†	GAS-123-•	1	3.69
						27	93.73
GAC-4-†•	—	GAL-4-†•	GALB-4-†	GAT-4-†	GAS-4-•	1¼	3.91
						35	99.31
GAC-5-†•	—	GAL-5-†•	GALB-5-†•	GAT-5-†	GAS-56-•	1½	5.19
						41	131.83
GAC-6-†•	—	GAL-6-†•	GALB-6-†•	GAT-6-†	GAS-56-•	2	5.19
						53	131.83

\* Metric size designator (ANSI C80.1-1994).

† Suffix -OR: O-ring available for NEMA 4 rating. Consult factory for lead time and price.

• Made-to-order item. Consult factory for lead time and minimum quantities.

†† Ratings prior to PVC coating.

## Hazardous Location Fittings — PVC-Coated Aluminum Conduit Boxes

### OCAL-BLUE Double-Coat External Hubs with Covers and Installed Green Ground Screw (continued)



GAX



GAFX



GAJU  
(shown uncoated)



GAS



GAD



GAJ  
(shown uncoated)

Cat. No.	Color
<b>GAC-1-</b> _	
_ = space for color identifier	
<b>G</b> = Gray	
<b>W</b> = White	
<b>B</b> = Blue	
Custom colors also available.	



CAT. NO.						PIPE SIZE	COVER OPENING
X-STYLE W/SURF. COVER GAX	X-STYLE W/FLANGE & SURF. COVER GAFX	U-STYLE SURFACE W/CANOPY COVER GAJU	SURFACE COVER ONLY GAS	DOMES COVER ONLY (CLASS I, GR. D) GAD	CANOPY COVER ONLY GAJ	IN. METRIC SIZE DESIGNATOR*	IN. MM
GAX-1-†	GAFX-1-†	GAJU-1-•	GALB-1-†	GAD-123-•	GAJ-123-•	½	3.69
GAX-2-†	GAFX-2-†	GAJU-2-•	GALB-2-†	GAD-123-•	GAJ-123-•	16	93.73
GAX-3-†•	GAFX-3-†	GAJU-3-•	GALB-3-†	GAD-123-•	GAJ-123-•	¼	3.69
GAX-4-†•	—	—	GALB-4-†	—	GAJ-4-•	21	93.73
GAX-5-†•	—	GAJU-5-•	GALB-5-†•	—	GAJ-56-•	1	3.69
GAX-6-†•	—	GAJU-6-•	GALB-6-†•	—	GAJ-56-•	27	93.73
						1¼	3.91
						35	99.31
						1½	5.19
						41	131.83
						2	5.19
						53	131.83

\* Metric size designator (ANSI C80.1-1994).

• Made-to-order item. Consult factory for lead time and minimum quantities.

† Suffix -OR: O-ring available for NEMA 4 rating. Consult factory for lead time and price.

Ocal® Corrosion Protection for Electrical Conduit and Fittings

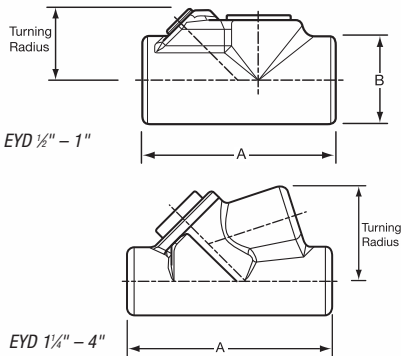


## Hazardous Location Fittings — PVC-Coated Sealing Fittings

Restrict the passage of gases, vapors and flames at atmospheric pressure and normal ambient temperatures.

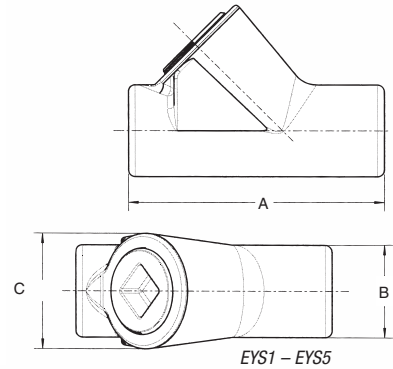
### OCAL-BLUE Double-Coat Sealing Fittings

- Prevents pre-compression or “pressure piling” in conduit systems
- Gray iron alloy body construction coated with nominal .002” (2 mil) blue urethane on both interior and exterior
- Nominal .040” (40 mil) PVC coating bonded to exterior — available in gray, white, blue or custom colors
- Explosion-proof, dust-ignition proof and suitable for use in the following environments:†
  - Class I, Division 1 & 2, Groups C, D
  - Class II, Division 1, Groups E, F, G
  - Class III, Division 1 & 2



### EYD Series Drain Sealing Fittings

FEMALE CAT. NO.	MALE & FEMALE CAT. NO.	PIPE SIZE IN. METRIC SIZE DESIGNATOR*	DIMENSIONS IN. MM		TURNING RADIUS IN. MM
			A	B	
EYD1_	EYD16_	1/2	3.81	1.50	1.75
		16	96.77	38.10	44.45
EYD2_	EYD26_	3/4	4.08	1.75	1.98
		21	103.63	44.45	50.29
EYD3_	EYD36_	1	4.85	2.19	2.19
		27	123.19	55.63	55.63
EYD4_	EYD46_	1 1/4	5.00	2.25	1.80
		35	127.00	57.15	45.72
EYD5_	EYD56_	1 1/2	5.44	2.44	2.00
		41	138.18	61.98	50.80
EYD6_	EYD66_	2	6.25	3.00	2.32
		53	158.75	76.20	58.93
EYD7_	EYD76_	2 1/2	7.50	3.50	2.69
		63	190.50	88.90	68.33
EYD8_	EYD86_	3	8.50	4.25	3.15
		78	215.90	107.95	80.01
EYD9_	EYD96_	3 1/2	9.19	4.75	3.38
		91	233.43	120.65	85.85
EYD10_	EYD106_	4	9.75	5.25	3.64
		103	247.65	133.35	92.46



### EYS Series Sealing Fittings

FEMALE CAT. NO.	MALE & FEMALE CAT. NO.	PIPE SIZE IN. METRIC SIZE DESIGNATOR*	DIMENSIONS IN. MM			TURNING RADIUS IN. MM
			A	B	C	
<b>Vertical Only</b>						
EYS1_	EYS16_	1/2	3.31	1.25	1.50	1.66
		16	84.07	31.75	38.10	42.16
EYS2_	EYS26_	3/4	3.65	1.50	1.75	1.96
		21	92.71	38.10	44.45	49.78
EYS3_	EYS36_	1	4.25	1.75	2.19	2.40
		27	107.95	44.45	55.63	60.96
<b>Vertical or Horizontal</b>						
EYS11_	EYS116_	1/2	3.63	1.25	—	1.09
		16	92.20	31.75	—	27.69
EYS21_	EYS216_	3/4	3.66	1.50	—	1.25
		21	92.96	38.10	—	31.75
EYS31_	EYS316_	1	4.25	1.75	—	1.59
		27	107.95	44.45	—	40.39
EYS4_	EYS46_	1 1/4	5.00	2.25	—	1.81
		35	127.00	57.15	—	45.97
EYS5_	EYS56_	1 1/2	5.44	2.44	—	2.00
		41	138.18	61.98	—	50.80
EYS6_	EYS66_	2	6.25	3.00	—	2.31
		53	158.75	76.20	—	58.67
EYS7_	EYS76_	2 1/2	7.50	3.50	—	2.56
		63	190.50	88.90	—	65.02
EYS8_	EYS86_	3	8.50	4.25	—	3.09
		78	215.90	107.95	—	78.49
EYS9_	EYS96_	3 1/2	9.19	4.75	—	3.38
		91	233.43	120.65	—	85.85
EYS10_	EYS106_	4	9.75	5.25	—	3.53
		103	247.65	133.35	—	89.66

\* Metric size designator (ANSI C80.1-1994).

\*\* EYSX and EYDX are expanded-fill styles. When ordering, add X to part number. For example: EYSX31-G, EYDX31-B.

† Ratings prior to PVC coating.

## Hazardous Location Fittings — PVC-Coated Sealing Fittings

### OCAL-BLUE Double-Coat Sealing Fittings (continued)



EZS

#### EZS Series Sealing Fittings

FEMALE CAT. NO.	MALE & FEMALE CAT. NO.	IN. METRIC SIZE DESIGNATOR*
EZS1- <u>  </u>	EZS16- <u>  </u>	½ 16
EZS2- <u>  </u>	EZS26- <u>  </u>	¾ 21
EZS3- <u>  </u>	EZS36- <u>  </u>	1 27
EZS4- <u>  </u>	EZS46- <u>  </u>	1¼ 35
EZS5- <u>  </u>	EZS56- <u>  </u>	1½ 41
EZS6- <u>  </u>	EZS66- <u>  </u>	2 53
EZS7- <u>  </u>	EZS76- <u>  </u>	2½ 63
EZS8- <u>  </u>	EZS86- <u>  </u>	3 78

\* Metric size designator (ANSI C80.1-1994).



EZD

#### EZD Series Sealing Fittings

CAT. NO.	IN. METRIC SIZE DESIGNATOR*
EZD111- <u>  </u>	½ 16
EZD211- <u>  </u>	¾ 21
EZD311- <u>  </u>	1 27
EZD411- <u>  </u>	1¼ 35
EZD511- <u>  </u>	1½ 41
EZD611- <u>  </u>	2 53

\* Metric size designator (ANSI C80.1-1994).



EZD  
with Inspection Cover off

Cat. No.	Color
<b>EYS1-<u>  </u></b>	<u>  </u>
<u>  </u> = space for color identifier	
<b>G</b> = Gray	
<b>W</b> = White	
<b>B</b> = Blue	
Custom colors also available.	

Ensures proper functioning of EYS sealing fittings.

### Chico® Sealing Compound and Fiber

- Sealing compound mixes with water, pours easily and hardens in 60–70 minutes
- Fiber filler mineral wool holds sealing compound in place while it hardens

OCAL-BLUE Double-Coat EYS Sealing Fittings require fiber filler and sealing compound to function properly. Use Chico® X Fiber Filler to form a dam around the sealing fitting's integral bushing, as well as at the end of the conduit and around conductors entering the hub. Chico® A Sealing Compound expands slightly while hardening and bonds to the inner walls of the sealing fitting.



FIBER-X6



SEAL-A3

CAT. NO.	DESCRIPTION
<b>SEAL-A3</b>	Chico® A Sealing Compound, 1 lb. net wt./23 cu.in. vol.
<b>FIBER-X6</b>	Chico® X Fiber Filler, 8 oz.
<b>SEALKIT-A4</b>	Chico® A Sealing Compound, 1 lb. net wt./23 cu.in. vol., with 1 oz. Chico® X Fiber Filler

Chico® is a registered trademark of Cooper Crouse-Hinds.

Ocal® Corrosion Protection for Electrical Conduit and Fittings

# Ocal®

## Hazardous Location Fittings — PVC-Coated Conduit Unions

Explosion-proof, dust-ignition proof three-piece couplings.

### OCAL-BLUE Double-Coat Conduit Unions

- Install in threaded thick-wall conduit systems in hazardous areas
- Use UNY male unions to connect conduit to a conduit fitting, junction box or device enclosure
- Use UNF female unions to connect conduit to conduit or to provide means for future modifications to the conduit system
- Nominal .002" (2 mil) blue urethane on interior and exterior
- Nominal .040" (40 mil) PVC coating bonded to exterior
- Pressure-sealing sleeves protect your connection
- Explosion-proof, dust-ignition proof and suitable for use in the following environments:†
  - Class I, Division 1 & 2, Groups A, B, C, D
  - Class II, Division 1, Groups E, F, G
  - Class III, Division 1 & 2



UNF205-G



UNY Male 1/2"-4"  
(shown uncoated)



UNY Male 5"-6"  
(shown uncoated)



UNF Female 1/2"-4"  
(shown uncoated)



UNF Female 5"-6"  
(shown uncoated)



Cat. No.	Color
<b>UNF105-</b> _	
_ = space for color identifier	
<b>G</b> = Gray	
<b>W</b> = White	
<b>B</b> = Blue	
Custom colors also available.	

#### UNY Male Unions

CAT. NO.	PIPE SIZE IN. METRIC SIZE DESIGNATOR*	OVERALL LENGTH IN. MM	OVERALL DIAMETER IN. MM
UNY105-	1/2	2.39	1.50
	16	60.71	38.10
UNY205-	3/4	2.44	1.81
	21	61.98	45.97
UNY305-	1	2.75	2.00
	27	69.85	50.80
UNY405-	1 1/4	3.06	2.75
	35	77.72	69.85
UNY505-	1 1/2	3.63	3.06
	41	92.20	77.72
UNY605-	2	3.50	3.81
	53	88.90	96.77
UNY705-	2 1/2	4.81	4.31
	63	122.17	109.47
UNY805-	3	5.34	5.06
	78	135.64	128.52
UNY905-	3 1/2	5.50	5.69
	91	139.70	144.53
UNY1005-	4	5.63	6.19
	103	143.00	157.23
UNY905-	5	5.25	8.19
	129	133.35	208.03
UNY014-	6	5.38	9.31
	155	136.65	236.47

\* Metric size designator (ANSI C80.1-1994).

#### UNF Female Unions

CAT. NO.	PIPE SIZE IN. METRIC SIZE DESIGNATOR*	OVERALL LENGTH IN. MM	OVERALL DIAMETER IN. MM
UNF105-	1/2	1.88	1.50
	16	47.75	38.10
UNF205-	3/4	2.13	1.81
	21	54.10	45.97
UNF305-	1	2.16	2.00
	27	54.86	50.80
UNF405-	1 1/4	2.25	2.75
	35	57.15	69.85
UNF505-	1 1/2	2.75	3.06
	41	69.85	77.72
UNF605-	2	2.50	3.81
	53	63.50	96.77
UNF705-	2 1/2	3.50	4.31
	63	88.90	109.47
UNF805-	3	4.00	5.06
	78	101.60	128.52
UNF905-	3 1/2	4.16	5.69
	91	105.66	144.53
UNF1005-	4	4.25	6.19
	103	107.95	157.23
UNF012-	5	3.81	8.19
	129	96.77	208.03
UNF014-	6	3.81	9.31
	155	96.77	236.47

† Ratings prior to PVC coating.

Ocal® Corrosion Protection for Electrical Conduit and Fittings